



Sirman Spa  
Viale dell'Industria 9/11  
35010 PIEVE DI CURTAROLO (PD), Italy  
Tel./Fax. +39 049 9698666 / +39 049 9698688  
email: info@sirman.com

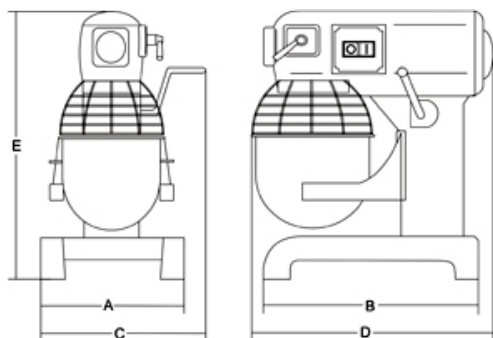


Sirman Planetary Mixers , model Plutone 20 :

- Machine body made from large thickness powder coated steel
- bowl protection made from metal wire
- easy to remove bowl made from stainless steel 304
- safety microswitches for the lid and the bowl
- 3 easy to remove metal tools: aluminium spatula and hook, steel and aluminium whisk
- 3 speed gear
- steel gear box
- ventilated motor



## Data sheet



## Technical data

|                       |                |
|-----------------------|----------------|
| Model                 | Plutone 20     |
| Power                 | watt 1100      |
| Power source          | 1ph            |
| Speed 1 - revolutions | r.p.m. 97      |
| Speed 2 - revolutions | rpm 220        |
| Speed 3 - revolutions | rpm 316        |
| Bowl capacity         | lt 20          |
| A                     | mm 420         |
| B                     | mm 440         |
| C                     | mm 515         |
| D                     | mm 560         |
| E                     | mm 770         |
| Net weight            | kg 99          |
| Shipping              | mm 570x630x920 |
| Gross weight          | kg 125         |
| HS-CODE               | 84381090       |