

PANTHEON

Catering Equipment



**20 Litre & 30 Litre Spiral Mixers
SM20 & SM30 Operating Manual**

Introduction

Thank you for purchasing a Pantheon Catering Equipment product. In this booklet you will find instructions for safe operation so please read carefully and retain for future reference.

Warnings and Precautions

The following warnings and precautions are important and must be observed:

- Ensure voltage and frequency power requirements for the spiral mixer match that of the supply.
- The machine must be earthed when used. There is a danger of electric shock if it is not earthed.
- In case of emergency, please turn off the power switch and unplug the machine.
- If the electric wire becomes damaged, a qualified engineer or the manufacturer must replace it.

Pantheon Catering Equipment is not responsible for any accidents or faults caused by amendments made to the machine or improper use by the user.

Technical Data

Specifications:

Model:	SM20	SM30
Voltage (V)	220-240V 50Hz	220-240V 50Hz
Power (W)	750	1100
Max. Load (Kg)	8	12
Weight (Kg)	85	98
Dimensions (mm)	420w x 700d x 720h	420w x 720d x 770h

Installation

The installation of the unit must be performed by a qualified technician only.

Ensure the device is positioned on a solid, even, safe and stable surface that tolerates the weight of the unit.

Ensure no flammable products are placed near the unit.

Position the device appropriately so that the plug is always accessible. Also ensure the unit isn't placed close to any water.

Also ensure there is sufficient operating space around the machine itself.

Operating Instructions

Be sure to follow the instructions below and use *'figure 1'* to correctly operate the planetary mixer:

1. Lift the guard and pour the ingredients into the bowl
2. Close the guard and set the stirring time.
3. Once the stirring time has been set on the timer, press the green button to start the mixer.
4. The mixer will stop automatically when either the timer runs out or the guard is lifted.
5. Ensure the mixer has fully stopped before attempting to remove the content from the spiral mixer.



Figure 1

Maintenance

Cleaning:

Prior to cleaning always ensure the unit switched off and unplugged at the mains.

Spilled food should be removed immediately from all exterior surfaces, simply using a damp cloth. Cleaning the mixer on a regular basis will help to prolong its life.

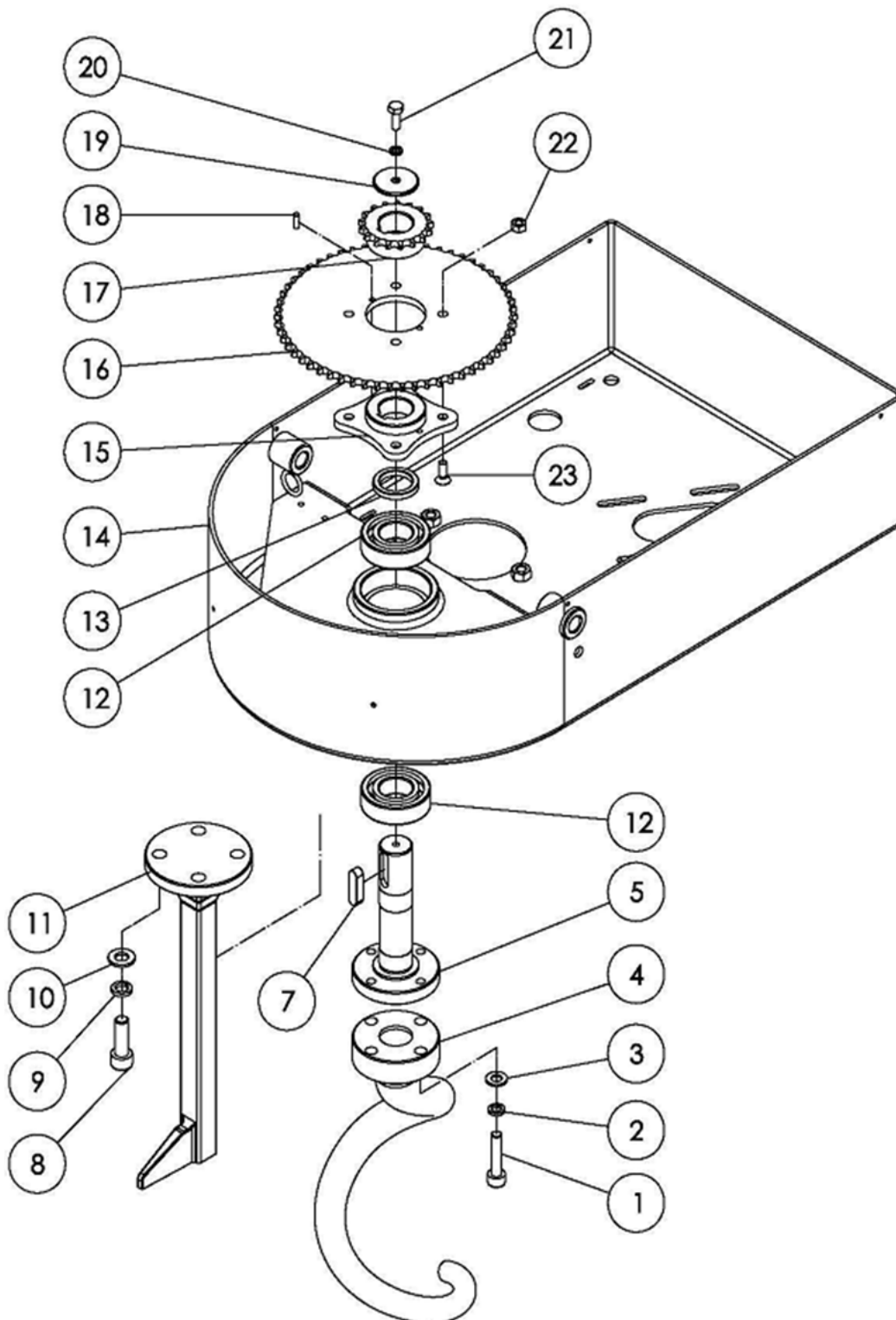
Troubleshooting

Problem	Possible Causes	Solution
The mixer will not start	<ul style="list-style-type: none">• The power is not connected correctly.• The safety guard is not shut correctly.	<ul style="list-style-type: none">• Ensure the plug is securely in the wall• Ensure the safety guard is shut correctly
The guard switch isn't operating correctly	The guard switch isn't connected correctly	Open the guard to double check the guard switch is connected correctly and isn't blocked by food products
The mixer has overheated	The mixer has been operated for too long or has been running with excessive load	Ensure the mixer hasn't been overloaded. Then try pressing the reset button at the rear of the mixer

Parts Diagrams

SM20

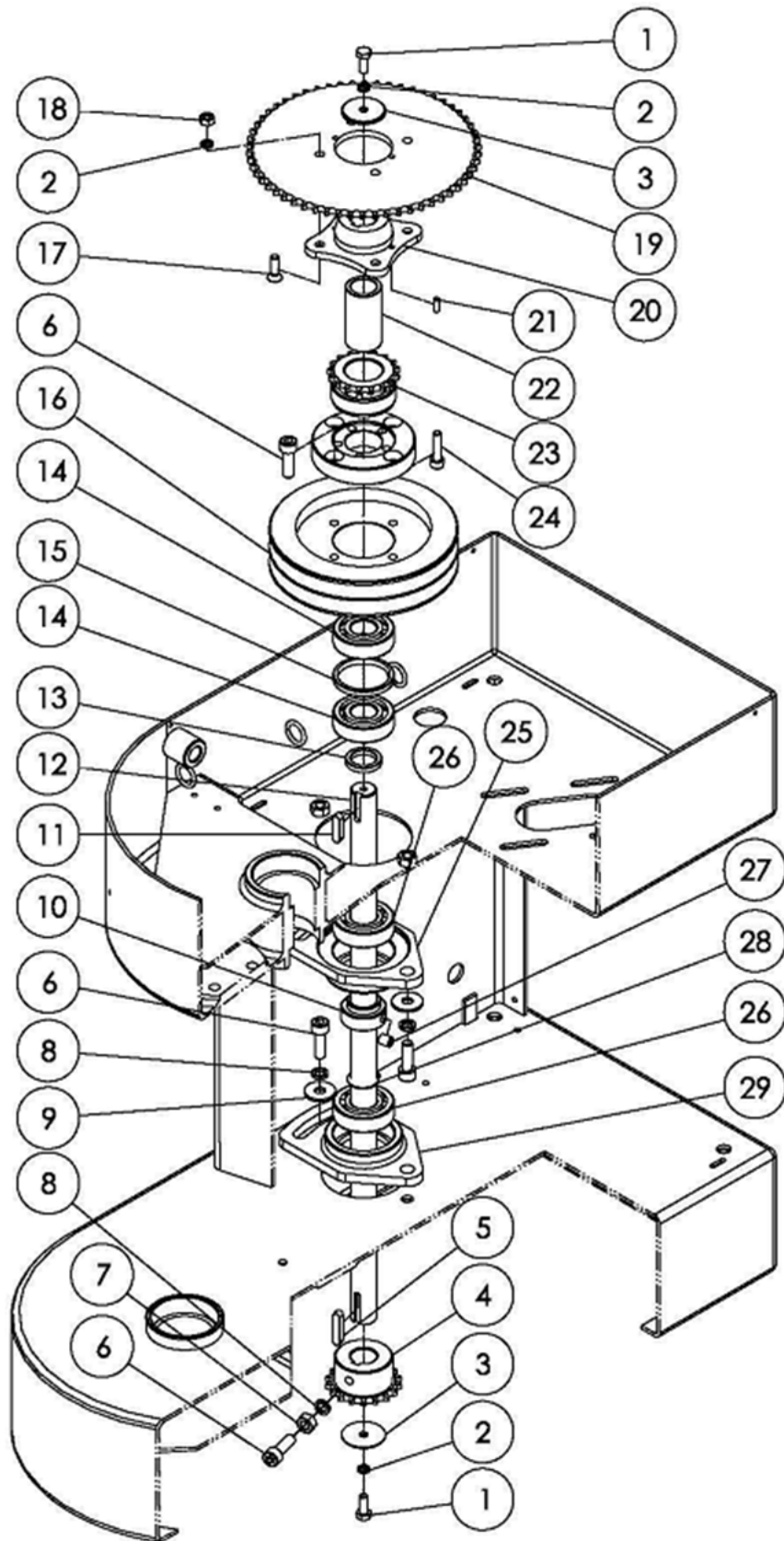
Main Shaft:



Main Shaft Parts:

SER.NO.	PART.NO.	PART NAME
1	S0220001	M8*35 SCREW
2	S0220002	8 SPRING WASHER
3	S0220003	8 WASHER
4	FM20-10.08	MIXER POLE
5	FM20-10.12	MAIN SHAFT
7	S0220004	A8*30 KEY
8	S0220005	M10*30 SCREW
9	S0220006	10 SPRING WASHER
10	S0220007	10 WASHER
11	FM20-10.10	NEWEL
12	S0220008	6205-Z BEARING
13	FM20-10.06	25 RING
14	FM20-10.16	TOP BOX BODY
15	FM20-10.11.2	MAIN SHAFT FLANGE
16	FM20-10.04.1	BIG CHAIN WHEEL
17	FM20-10.13	SMALL CHAIN WHEEL
18	S0220009	A4*12 PIN
19	FM20-10.05	34 WASHER
20	S0220010	6 SPRING WASHER
21	S0220011	M6*16 PIN
22	S0220012	M6 NUT
23	S0220013	M6*16 SCREW

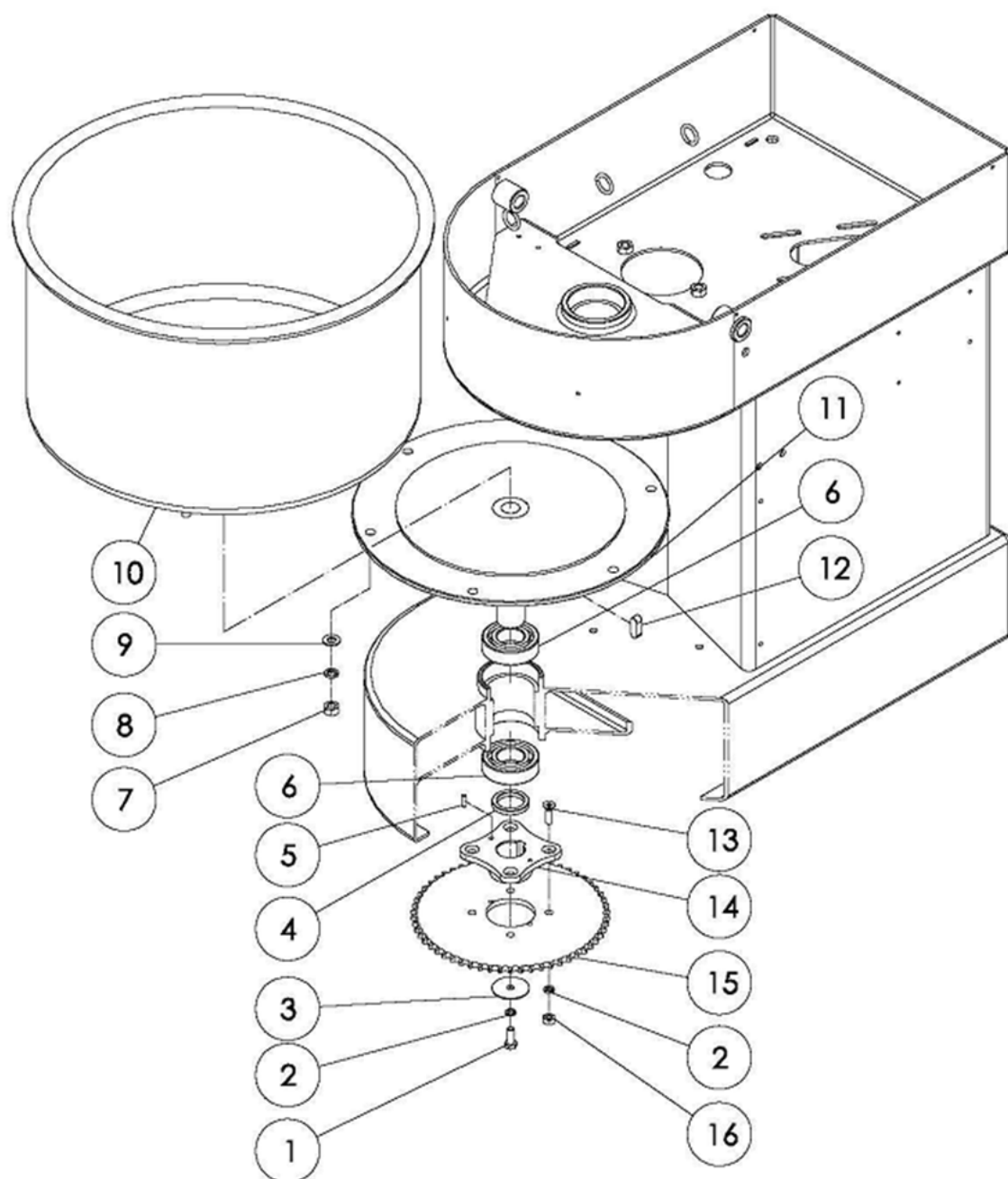
Driver Shaft:



Driver Shaft Parts:

SER.NO.	PART.NO.	PART NAME
1	S022014	M6*16 PIN
2	S022015	6 SPRING WASHER
3	FM20-10.05	34 WASHER
4	FM20-10.03	DRIVER SHAFT CHAIN WHEEL
5	S0220016	A6*30 KEY
6	S0220017	M8*25 SCREW
7	S0220018	M8 NUT
8	S0220019	8 SPRING WASHER
9	S0220020	8 BIG WASHER
10	FM20-10.18	20 RING
11	S0220021	A6*25 KEY
12	FM20-10.21	DRIVER SHAFT
13	FM20-10.14	20 RING
14	S0220022	6204-Z BEARING
15	FM20-10.23.1	41 RING
16	FM20-10.23.2	DRIVER SHAFT WHEEL
17	S0220023	M6*20 SCREW
18	S0220024	M6 NUT
19	FM20-10.04.1	BIG CHAIN WHEEL
20	FM20-10.22.1	DRIVER SHAFT FLANGE
21	S0220025	A4*12 PIN
22	FM20-10.14	20 RING
23	FM20-10.23.4	DRIVER SHAFT CHAIN WHEEL
24	S0220026	M6*25 SCREW
25	FM20-10.15	TOP BEARING SEAT
26	S0220027	1204 BEARING
27	S0220028	M8*10 SCREW
28	S0220029	20 SHAFT RING
29	FM20-10.02	DOWN BEARING SEAT

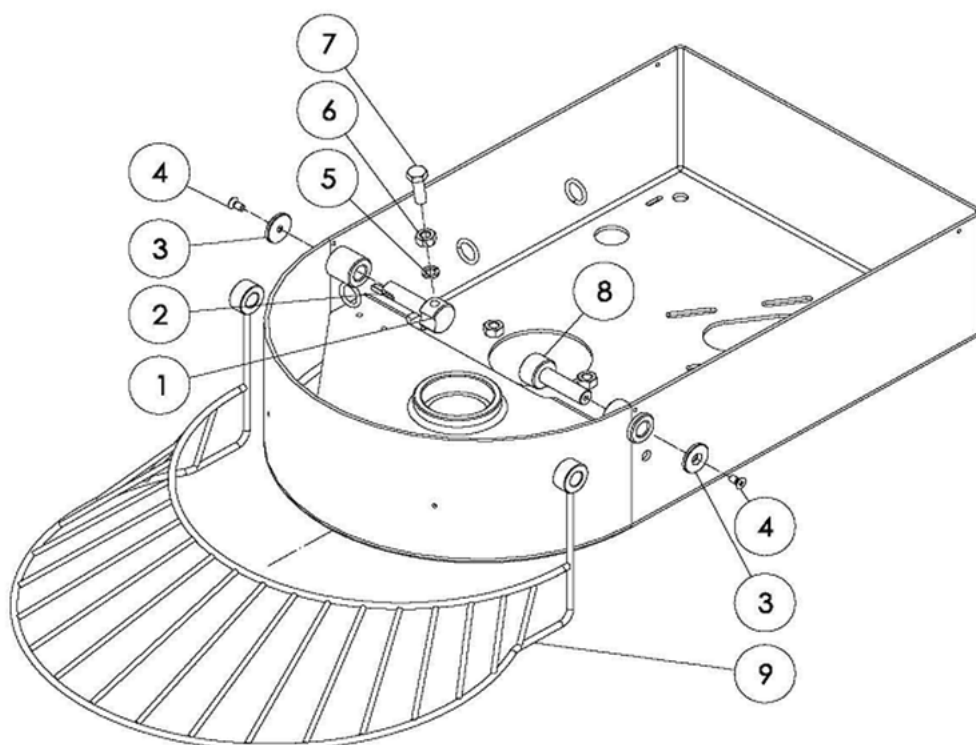
Bowl Driver Shaft:



Bowl Driver Shaft Parts:

SER.NO.	PART.NO.	PART NAME
1	S0220030	M6*16 PIN
2	S0220031	6 SPRING WASHER
3	FM20-10.05	34 WASHER
4	FM20-10-06	25 RING
5	S0220032	A4*12 PIN
6	S0220033	6205-Z BEARING
7	S0220034	M8 NUT
8	S0220035	8 SPRING WASHER
9	S0220036	8 WASHER
10	FM20-10-09	BOWL
11	FM20-10.07	BOWL SHAFT
12	S0220037	A8*22 KEY
13	S0220038	M6*20 SCREW
14	FM20-10-04.2	BOWL SHAFT FLANGE
15	FM20-10-04.1	BIG CHAIN WHEEL
16	S0220039	M6 NUT

Safety Guard:



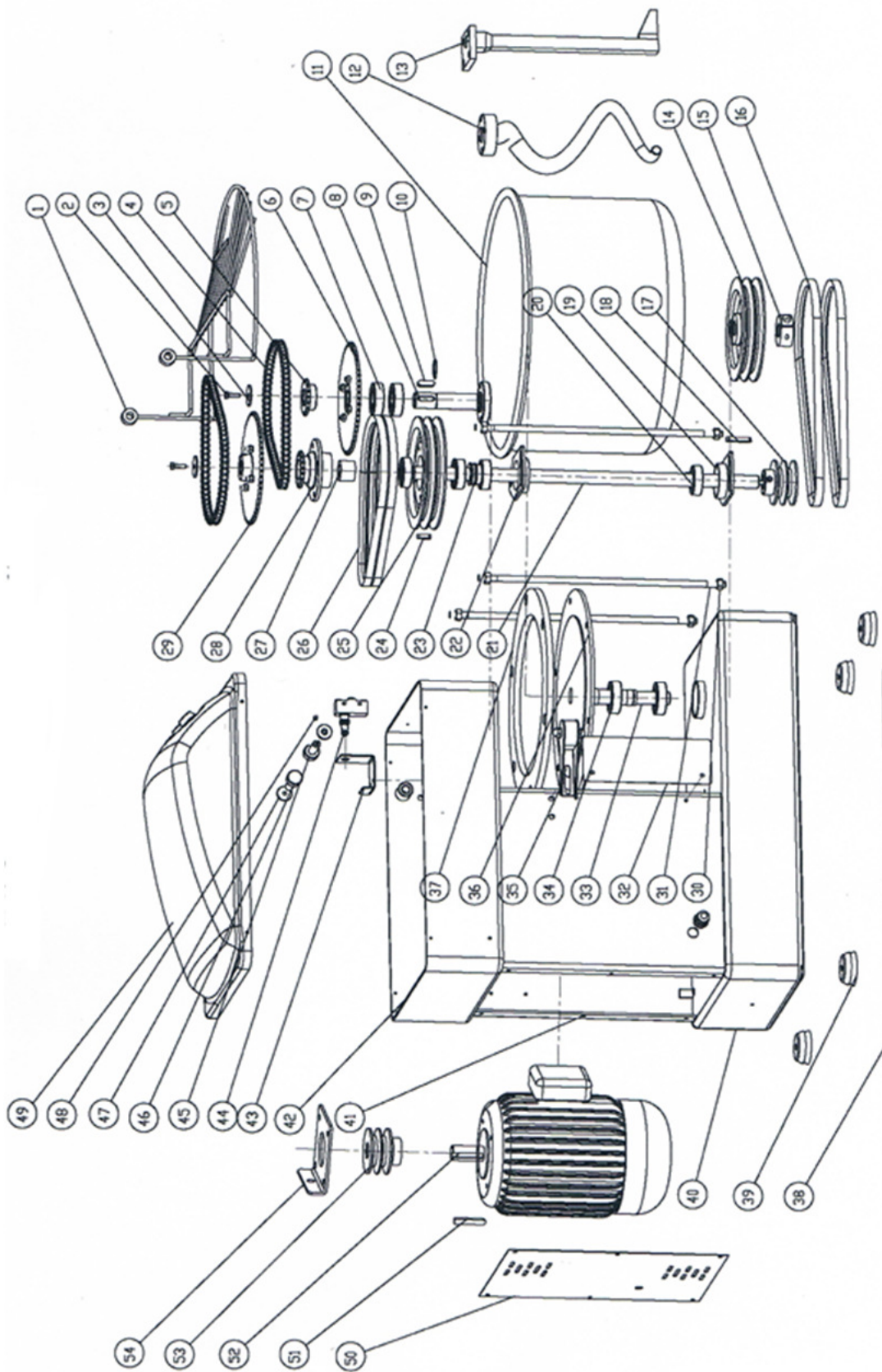
Safety Guard Parts:

SER.NO.	PART.NO.	PART NAME
1	FM20-16	LEFT SPINDLE
2	S0220040	A4*12 KEY
3	FM20-14	SPINDLE COVER RING
4	S0220041	M5*10 SCREW
5	S0220042	8 SPRING WASHER
6	S0220043	M8 NUT
7	S0220044	M8*25 PIN
8	FM20-15	RIGHT SPINDLE
9	FM20-13	PROTECT COVER

Additional Parts:

SER.NO.	PART.NO.	PART NAME
1	E022001	0.55-0.75KW MOTOR
2	E022002	Distance switch
3	E022003	CJX1-9-22 Contact switch
4	E022004	CAY3-11 ON button
5	E022005	CAY3-11ZS-1 OFF button
6	E022006	overload switch
7	E022007	capacitor 100uf
8	E022008	capacitor 20uf

SM30



SM30 Parts:

NO.序号	PART.NO.代号	PART NAME
1	VFM-35-13	PROTECT COVER
2	GB5780-86	M6X30 BOLT
3	VFM-35-10-05	34 WASHER
4	GB-T1243-1997	06B-1-35 CHAIN
5	VFM-35-10-13	SMALL CHAIN WHEEL
6	VFM-35-05-09	BIG CHAIN WHEEL ASSY.
7	GB-T276-1994	6205 BEARING
8	VFM-35-10-12	MAIN SHAFT
9	GB/T 1095-2003	A8X27 KEY
10	GB/T894.1-1986	25 SHAFT RING
11	VFM-35-10-08.1	BOWL
12	VFM-35-10-07	MIXER POLE
13	VFM-35-10-09	NEWEL
14	VFM-35-10-04.1	BELT WHEEL FOR BOWL SHAFT
15	VFM-35-10-04.2	M20X1.5 NUT FOR BOWL SHAFT
16	GB-T11544-1997	A965 V BELT
17	VFM-35-10-03	DRIVER SHAFT BELT WHEEL
18	VFM50-S-07-11	A6X40 KEY
19	VFM-35-10-02	DOWN BEARING SEAT
20	GB-T276-1994	6204-Z BEARING
21	VFM-35-10-19	DRIVER SHAFT
22	VFM35-10-20	TOP BEARING SEAT
23	GB301-1995	51104 BEARING
24	GB/T 1095-2003	A6X22 KEY
25	VFM-35-10-15.3	BELT WHEEL FOR DRIVER SHAFT
26	GB-T11544-1997	A686 V BELT
27	VFM-35-10-21	20 RING
28	VFM-358-10.2	CHAIN WHEEL FOR DRIVER SHAFT
29	VFM-35-10-14	BIG CHAIN WHEEL ASSY. FOR DRIVER SHAFT
30	GB6170-86	M10 NUT
31	VFM-35-10-17	PULL POLE
32	VFM-35-03	SIDE BOARD
33	VFM-35-10-06.2	BOWL SHAFT
34	GB-T376-1994	6205 BEARING
35	VFM-35-01	PROTECT WHEEL SUBASSEMBLY
36	VFM-35-10-06.1	CONNECT FLANGE
37	VFM-35-10-08.2	BOWL FLANGE
38	VFM-35-04	BASE COVER BORAD
39	VFM-35-05	WASHER FEET
40	VFM-35-05-01	DOWN BOX BODY
41	VFM-35-05-17	SUPPORT FRAME
42		TOP BOX BODY
43	VFM-35-17	SETTING BOARD FOR DISTANCE SWITCH

44		DISTANCE SWITCH
45	VFM-35-16	LEFT FIXATION SEAT
46	VFM-35-15	RIGHT FIXATION SHAFT
47	GB/T 1095-2003	A8X50 KEY
48	VFM-35-14	24 WASHER
49	VFM-35-06-01	TOP COVER
50	VFM-35-08	BACK COVER
51	GB1096-2003	C8X50 KEY
52		MOTOR
53	VFM-35-10-23	BELT WHEEL FOR MOTOR
54	VFM-35-10-24	BASE SEAT FOR MOTOR