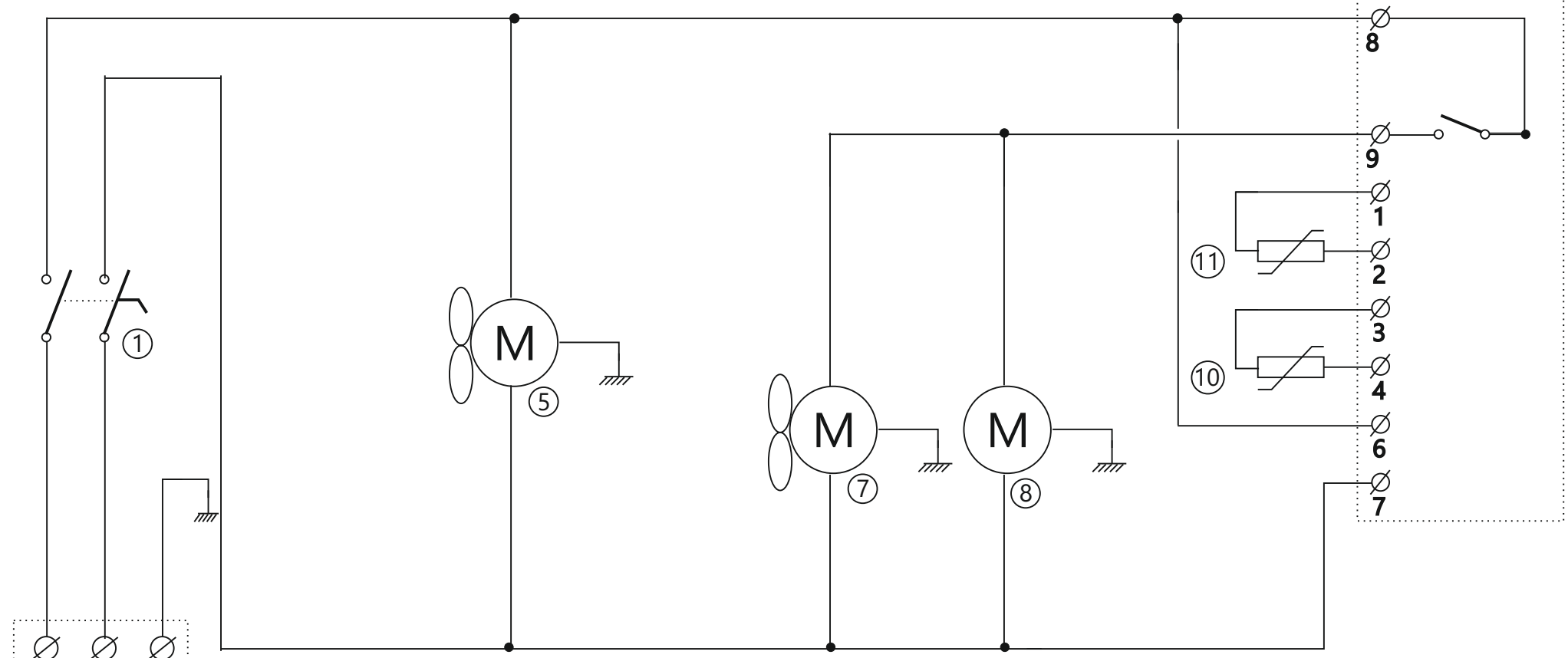


XR02CX



- ① Main switch
- ⑤ Evaporator fan

- ⑦ Condenser fan
- ⑧ Compressor
- ⑩ Evaporator probe
- ⑪ Cabinet probe