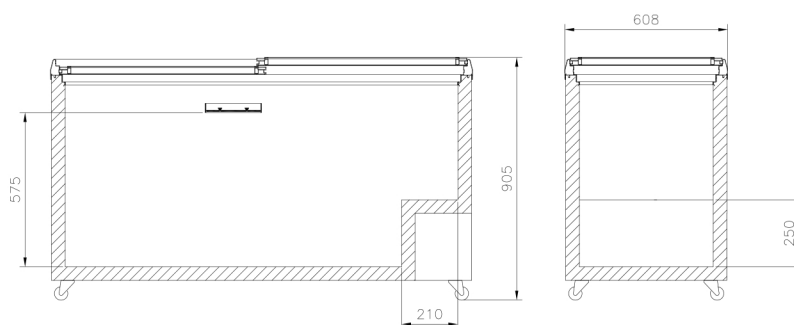


Conservators

IKG275



IKG405



FEATURES

- White laminated exterior
- Aluminium interior
- Sliding glass lid
- Castors as standard
- Skin condenser

TECHNICAL SPECIFICATIONS

- Controller: Manual thermostat
- Cooling: Static
- Defrost: Manual
- Refrigerant: R600a
- Climate Class: 4
- Temperature Range: -17°C ~ -24°C
- Power Supply: 13amp

MODEL	GROSS CAPACITY	BASKETS SUPPLIED	MAX. BASKETS	EXT. DIMENSIONS (H x W x D mm)	POWER CONSUMPTION	DECIBELS	WEIGHT (kg)
IKG205	187L	1	4	910 x 720 x 610	180W	42dBA	46
IKG275	254L	2	7	910 x 920 x 610	260W	43dBA	52
IKG405	386L	3	10	910 x 1260 x 610	300W	44dBA	64
IKG505	492L	3	13	910 x 1560 x 610	320W	44dBA	74

