



PROFESSIONAL DISHWASHER

EN



**Applicare
Targhetta
caratteristica**

TABLE OF CONTENTS

CONTENTS

1	PRECAUTIONS FOR SAFETY AND USE	2
1.1	Trademark	2
1.2	Name and address of manufacturer or distributor	2
1.3	Declaration of conformity to product standards.....	3
2	TECHNICAL DATA.....	4
3	INSTALLATION AND POSITIONING.....	7
4	INSTRUCTIONS FOR TECHNICAL STAFF.....	7
4.1	Plumbing hookup.....	7
4.2	Electrical connection	8
5	FIRST START-UP	8
5.1	Using the water softener (on models with this feature only)	9
6	SET-UP (Authorised technical staff only).....	10
6.1	Dishwasher parameter modification procedure:.....	10
6.2	Quit “ SET-UP “ menu.....	12
6.3	Rinsing temperature setup.....	12
6.4	Washing temperature setup.....	13
6.5	Rinse aid dispensing setup (optional if installed)	13
6.6	Adjusting detergent dispensing (optional if installed)	13
6.7	Autostart function	13
6.8	Regeneration frequency setup (models with softener)	14
6.9	tStP (minimum rinsing temperature) function.....	14
6.10	Customisation of duration of program P4 (optional if installed).	15
6.11	Steam extraction time setting (optional if installed).....	15
6.12	Service setting (for After-Sales Service only).....	15
6.13	Starting the peristaltic pumps – rapid filling of detergent and rinse aid delivery circuit.....	16
7	MALFUNCTIONS SHOWN ON THE DISPLAY (FOR THE TECHNICIAN).....	17
8	INSTRUCTIONS FOR THE USER.....	19
8.1	Control panel.....	19
8.2	Before washing.....	20
8.3	First use each day (tank and boiler empty)	20
8.4	Changing the Program	22

9	CHOOSING THE PROGRAM.....	23
10	SUPPLEMENTARY FUNCTIONS.....	23
	(according to the model, some of the following functions are available)	23
10.1	Selecting the crys “glassware” function (available in P1-P2)	23
10.2	Selecting the “extra rinse” function (available in P1-P2-P3-P4).....	24
1.1	Selecting the “A0:60” function (available in P3).....	24
1.2	Selecting the “bEEr cycle” function (available in P3-P4)	24
1.3	Selecting the “clean water cycle” function (available in P1-P2-P3-P4)	25
11	MAINTENANCE AND CLEANING.....	26
11.1	Daily cleaning.....	26
11.2	Routine inspection of the spray arms.....	27
11.3	Lengthy periods out of use	27
12	TROUBLESHOOTING	28
13	MALFUNCTIONS SHOWN ON THE DISPLAY (FOR THE USER)	30

SMEG Thanks you for choosing one of its products.
Read all the instructions in this manual carefully to become familiar with the right conditions for the proper use of your dishwasher.

TECHNICAL INSTRUCTIONS

	These are intended for the qualified staff who are to install, commission and test the appliance and carry out any servicing and repairs.
--	---

INSTRUCTIONS FOR THE USER

	These provide recommendations for use, a description of the controls and the correct procedures for cleaning and maintaining the dishwasher.
--	--

1 PRECAUTIONS FOR SAFETY AND USE

1.1 Trademark

SMEG

1.2 Name and address of manufacturer or distributor

Smeg S.p.A.

Via Leonardo da Vinci, 4 - 42016 Guastalla (RE) Tel. +39 0522 8211 - Fax + 39 0522 821453
internet: www.smegfoodservice.com, email : fooddservice@smeg.it

Info :

INFORMATION AND SERVICE FOR SMEG PROFESSIONAL DISHWASHERS

Our Sales Department staff will be able to provide you with information about prices and special offers.

Our After-Sales Department will be able to provide you with guidance about keeping your appliance functioning correctly and put you in touch with your nearest authorised Service Centre. Our entire product offering can be viewed at:

1.3 Declaration of conformity to product standards

THIS APPLIANCE IS TAGGED UNDER EUROPEAN DIRECTIVE 2002/96/EC ON WASTE ELECTRICAL AND ELECTRONIC EQUIPMENT (WEEE). BY MAKING SURE THAT THIS PRODUCT IS DISPOSED OF CORRECTLY THE USER HELPS TO PREVENT POTENTIAL DETRIMENTAL EFFECTS ON HEALTH AND THE ENVIRONMENT. WHEN DECOMMISSIONING THE APPLIANCE COMPLY WITH THE LOCAL WASTE DISPOSAL REGULATIONS. FOR FURTHER INFORMATION ON THE TREATMENT, RECOVERY AND RECYCLING OF THIS PRODUCT, CONTACT THE COMPETENT LOCAL OFFICE, THE DOMESTIC WASTE COLLECTION SERVICE, OR THE SHOP WHERE THE PRODUCT WAS PURCHASED. THE APPLIANCE MUST BE GROUNDED AS REQUIRED BY ELECTRICAL EQUIPMENT SAFETY STANDARDS. THE DISHWASHER IS INTENDED FOR PROFESSIONAL USE ONLY AND MUST ONLY BE USED BY AUTHORISED STAFF. IT IS DESIGNED TO WASH TABLEWARE (PLATES, CUPS, BOWLS, OVEN DISHES AND CUTLERY) AND SIMILAR ITEMS IN THE RESTAURANT AND INSTITUTIONAL CATERING SECTOR, AND COMPLIES WITH THE INTERNATIONAL STANDARDS ON ELECTRICAL AND MECHANICAL SAFETY (CEI-EN-IEC 60335-2-58/61770) AND ELECTROMAGNETIC COMPATIBILITY (CEI-IEC-EN 55014-1/-2, 61000-3;4, 50366). THE MANUFACTURER DECLINES ALL RESPONSIBILITY FOR INJURY OR DAMAGE CAUSED BY FAILURE TO COMPLY WITH THE ABOVE REGULATIONS OR DERIVING FROM INCORRECT USE, TAMPERING WITH EVEN JUST ONE PART OF THE APPLIANCE AND THE USE OF NON-ORIGINAL SPARE PARTS.

	<p>THIS MANUAL IS AN INTEGRAL PART OF THE DISHWASHER AND MUST ALWAYS BE KEPT INTACT TOGETHER WITH THE APPLIANCE.</p>
	<p>POSITIONING, HOOKUP, COMMISSIONING, TROUBLESHOOTING AND REPLACING THE POWER CABLE MUST BE CARRIED OUT BY QUALIFIED STAFF.</p>
	<p>THE APPLIANCE MUST BE GROUNDED AS REQUIRED BY ELECTRICAL EQUIPMENT SAFETY STANDARDS.</p>
	<p>THE SYMBOL OF THE RUBBISH BIN WITH A BAR ACROSS IT ON THE PRODUCT OR IN THE TECHNICAL DOCUMENTATION INDICATES THAT THIS PRODUCT MUST NOT BE TREATED AS ORDINARY DOMESTIC WASTE BUT MUST BE CONSIGNED TO THE SPECIAL COLLECTION POINT FOR THE RECYCLING OF ELECTRICAL AND ELECTRONIC EQUIPMENT.</p>
	<p>NEVER PLACE SOLVENTS SUCH AS ALCOHOL OR TURPENTINE, WHICH MIGHT CAUSE AN EXPLOSION, INSIDE THE APPLIANCE. NEVER LOAD DISHES DIRTY WITH ASH, WAX OR PAINTS.</p>
	<p>NEVER USE THE DISHWASHER OR ANY PART OF IT AS A LADDER, SUPPORT OR STAND FOR PEOPLE, ANIMALS OR ANY OBJECT. LEANING OR SITTING ON THE OPEN DOOR OF THE DISHWASHER MIGHT CAUSE IT TO TIP OVER, PUTTING PEOPLE IN DANGER. NEVER LEAVE THE DISHWASHER DOOR OPEN SINCE PEOPLE MIGHT TRIP OVER IT.</p>
	<p>DO NOT DRINK ANY WATER LEFT IN THE DISHES OR DISHWASHER AT THE END OF THE WASHING PROGRAM.</p>
	<p>THE APPLIANCE IS NOT SUITABLE FOR USE BY JUVENILES OR PERSONS WITH REDUCED PHYSICAL, SENSORIAL OR MENTAL CAPACITIES, OR THOSE WITHOUT THE NECESSARY KNOWLEDGE AND EXPERIENCE. SUCH PERSONS MAY ONLY USE THE APPLIANCE UNDER THE SUPERVISION OF A PERSON RESPONSIBLE FOR THEIR SAFETY.</p>

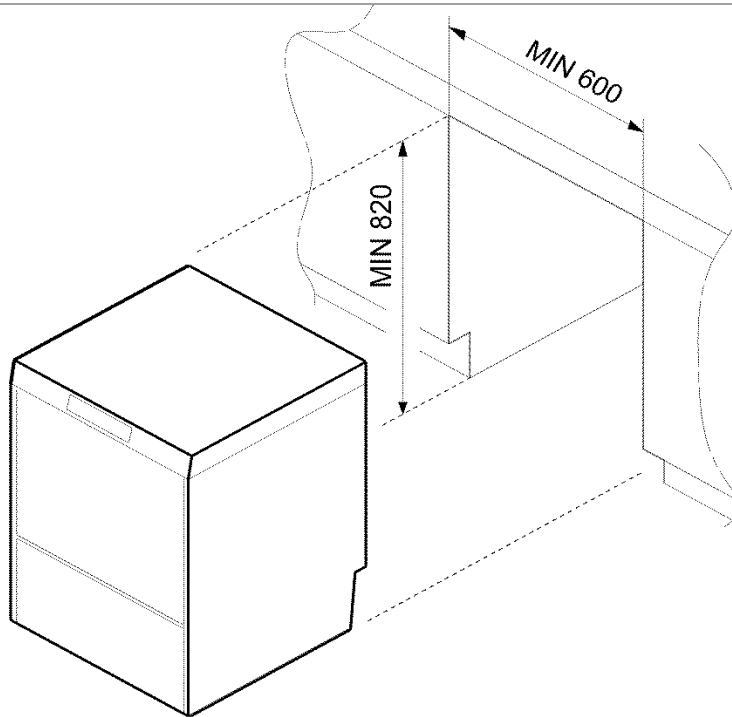
2 TECHNICAL DATA

Water intake pressure	kPa (bar)	250-600 (2,5 ÷ 6)
Water intake pressure (with rinse pump)	kPa (bar)	100-600 (1 ÷ 6)
Water intake temperature	°C	15°C – 60°C
Intake water hardness (models with softener)	°f	15°f-60°f
Rinse cycle water consumption	l	3.2
Boiler capacity	l	6
Tank capacity	l	11
Standard cycle duration with intake water at 50°C	s	90/150/240
Noise level	dB(A)	50
Degree of protection	IPX	4/5
Net weight	Kg	CW 60-63 CWH 84-87
Power supply cable type	◀HAR▶	H07RN-F
Fuse	A	4

SEE APPLIANCE LABEL

VOLTAGE	FUSE PROTECTION	TANK HEATING	MOTOR	BOILER (1.5X3)	TOTAL CONNECTION	POWER CABLE
400V-50Hz/3/N/PE	16A	0.8 kW	0.7 kW	5 kW	5.7 kW	5X2.5
230V-50Hz/3/PE	25A			5 kW	5.7 kW	5X2.5
230V-50Hz/1/N/PE (2RR)	32A			3,3 kW	4.0 kW	3X2.5
230V-50Hz/1/N/PE	16A			1.7 kW	2.4 kW	3X2.5

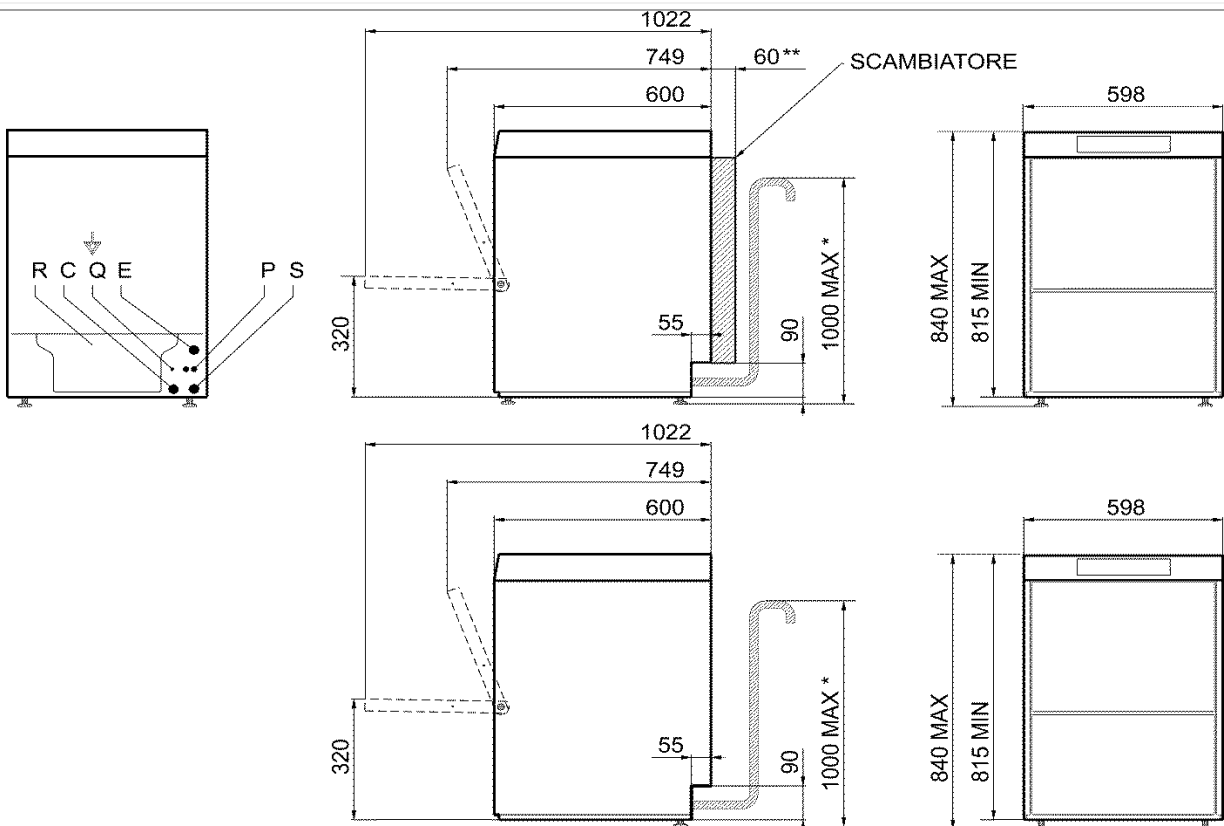
CAVITY DIMENSIONS FOR BUILT-UNDER INSTALLATION



APPLIANCE DIMENSIONS AND CONNECTION POSITIONS

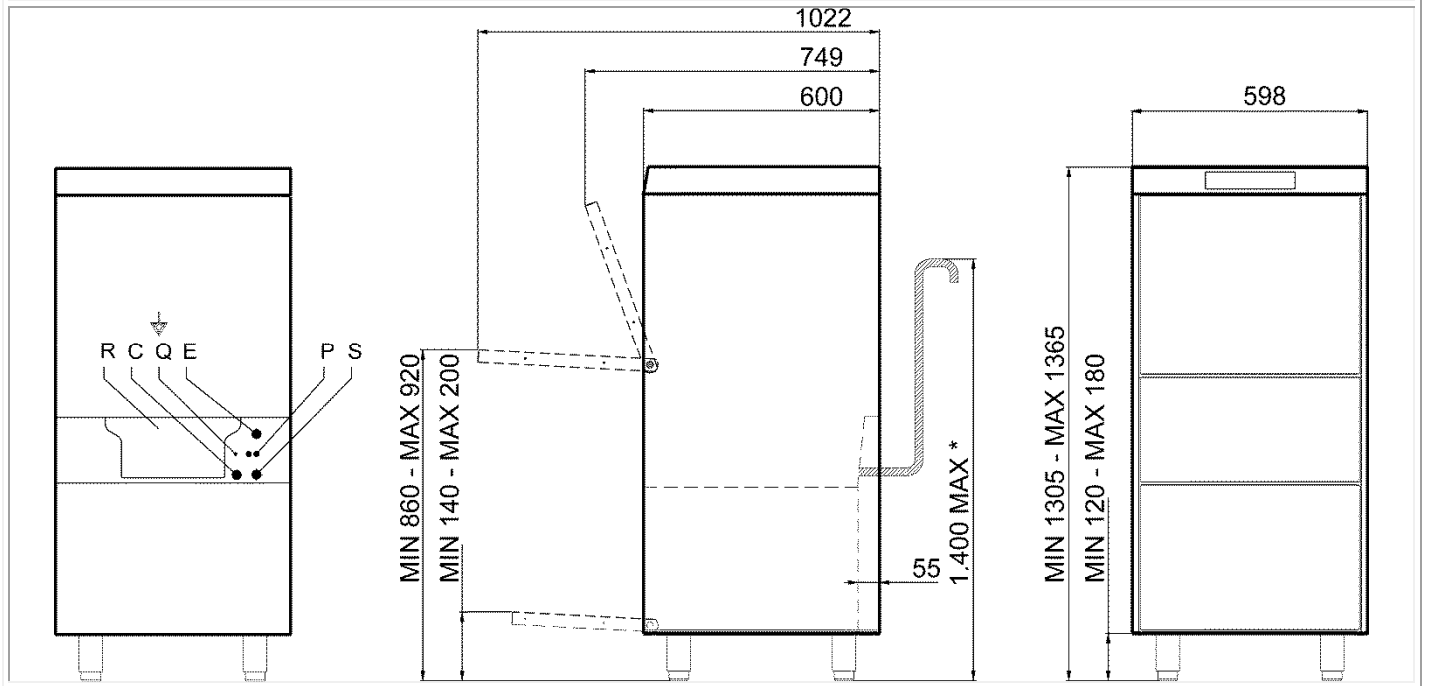
(*N.B. : VALUE "1000" - max 600 if siphon with valve is used)

(**N.B. : VALUE - max 60 - heat exchanger)



APPLIANCE DIMENSIONS AND CONNECTION POSITIONS

(**N.B. – VALUE “1400” WITH ASTERISK: max 1000 if siphon with valve is used)



KEY TO LETTERS USED IN DIAGRAM

R	LOWER BACK PANEL
C	FILLER HOSE
Q ↓	EARTH TERMINAL
E	ELECTRICITY SUPPLY CABLE
P	PERISTALTIC HOSES
S	DRAIN HOSE
T	EXTERNAL DISPENSER POWER CABLE ENTRY POINT

3 INSTALLATION AND POSITIONING

INSTALLATION and POSITIONING

Bring the dishwasher to the installation site, remove the packaging and check the appliance and components for damage; any damage found must be reported to the transporter in writing. The packaging components (plastic bags, expanded polystyrene, nails, etc.) must not be left within reach of children and pets since they are potentially dangerous. All packaging materials used are environment-friendly. They can be kept without constituting any hazard, or may be disposed of at a specialist waste disposal centre. The plastic components suitable for recycling are marked as follows: PE polyethylene: external packaging film, bag containing the instructions, protective bags. PP polypropylene: straps. PS expanded polystyrene: corner guards, top of packaging. Wooden and cardboard components can be disposed of in accordance with the relevant regulations.

When the product is decommissioned it must not be dumped in the environment; it must be disposed of in accordance with the relevant regulations. All metal parts are in stainless steel and can be removed. The plastic parts are marked with the symbol identifying the material used.

POSITIONING



Warning: the indoor system and premises in which equipment for institutions is installed must comply with the relevant regulations.

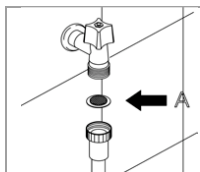
The manufacturer declines all liability for direct or indirect injury or damage deriving from failure to comply with these regulations. Before installation, check that there are no objects or materials in the vicinity which may be damaged by steam or splashes of washing solution, or that any such items are suitably protected. Place the dishwasher in the chosen point and remove the protective film. Level the dishwasher (with the aid of a spirit level) on its adjustable feet to ensure that it is stable; all other mounting solutions must be approved by the manufacturer.

4 INSTRUCTIONS FOR TECHNICAL STAFF

4.1 Plumbing hookup



PLUMBING HOOKUP



The water pipelines and electricity supply cable lead out of the bottom right-hand corner of the appliance. Connect the water intake hose to a connector with $\frac{3}{8}$ " gas threaded fitting, fitting the filter A provided (in models with Acquastop, the filter and ring-nut form a single unit). The connection to the water mains must only be made with new hoses; the use of old or worn hoses is not permitted.

The dynamic **water supply pressure** must be between **2 and 6 bar**; if it is higher, installation of a pressure reducer is necessary. If the pressure is **less than 2.5 bar** it might be necessary to fit a special pump on the appliance to ensure optimal performance. **Contact the After-Sales Service.** It is essential to fit a main stop tap on the water intake deliver pipeline; the tap must be accessible after installation of the appliance, so do not install it behind the dishwasher. The stated cycle duration applies to appliances supplied with **hot water >50°C<60°C**. If the dishwasher is supplied with cold water, the cycle duration might increase depending on the intake water temperature. **Drainage:** The dishwasher **is fitted with a drain pump** and can operate with drain connections on the floor or wall. Refer to the connection diagram for the maximum permitted height of wall drains – (see TECHNICAL DATA)

	Warning: make sure that the intake and drain hoses are not bent, constricted or crushed after installation.
--	--

When installing the drain hose to a siphon with valve, the maximum height of the drain outlet is reduced to 600 mm.

4.2 Electrical connection

	The dishwasher and any additional equipment must be connected to the electrical system by authorised, skilled staff, in accordance with the relevant regulations; also comply with the technical instructions for the connection. The total rated power is stated on the appliance's technical data plate. The electrical protection devices fitted for the dishwasher must serve this appliance only. The user must have a master switch and a differential safety breaker, with rating suitable for the appliance's characteristics , installed on the electricity supply line in accordance with the relevant regulations. These switches must be installed close to the dishwasher, be easily accessible after installation, and provide complete disconnection from the electrical mains in overvoltage class III conditions.
	Warning! The dishwasher is always powered up unless the master switch is turned off.
	Connect the appliance to the user's earth system. The terminal for the connection is in the bottom right-hand corner of the appliance. The earth wire (PE) is yellow-green in colour, the neutral wire (N) is blue and the live wires (L1, L2, L3) are black, grey and brown. In the event of single-phase connection (230V-1N~), the connection to the electrical mains must be made using a cable with plug compliant with the relevant regulations .
	THE POWER SUPPLY CABLE, IF FITTED, MUST BE REPLACED BY THE MANUFACTURER OR AN AUTHORISED SERVICE CENTRE IN ACCORDANCE WITH THE TECHNICAL DATA SPECIFIED ON THE WIRING DIAGRAM SUPPLIED WITH THE APPLIANCE, TO PREVENT ALL RISKS.

5 FIRST START-UP

First start-up

The electrical protection system must undergo a functional test before the appliance is put into operation.

The appliance must be installed and/or inspected by qualified staff, who will start it up for the first time and provide the relevant operating instructions.

Preparing for use (important)

The rinse aid dispenser is fitted on all models, the detergent dispenser only on some.

If both dispensers are present put the external detergent and rinse aid containers in place and insert the respective intake hoses on the rear of the appliance into them. Red hose: detergent, blue hose: rinse aid

	Before inserting the hoses into the containers, fit the weights (needed to ensure that they always draw in liquid from the bottoms of the containers) and the filters onto their ends as shown. If the detergent dispenser is not factory-fitted, it can be retrofitted after ordering the relative kit.
--	--

As an alternative an external dispenser can be fitted, making the electrical connection by means of an H05 RN-F 2x0.5 mm electrical cable, which can be laid along the route shown in the TECHNICAL DATA diagram and connected as shown in the wiring diagram supplied with the dishwasher. The dispenser must operate on 230V/50 Hz with maximum power absorption of 15 W. Connect to the detergent dispenser outside the dishwasher using the red hose mentioned above.



Whenever the type of detergent or rinse aid is changed, it is **ABSOLUTELY ESSENTIAL** to flush out the peristaltic pumps by placing the external intake pipes in water for a few cycles. Always use only products specifically recommended for use in a professional dishwasher. Failure to comply with this recommendation leads to **forfeiture of the warranty** entitlement on the appliance's water system. The **internal pipes** of the detergent and rinse aid peristaltic pumps **should** be replaced by the After-Sales Service **every 12 months** or **15,000 wash cycles**.

5.1 Using the water softener (on models with this feature only)



The quantity of lime in the water (which indicates its hardness) causes whitish marks on dry dishes and dishes also tend to lose their shine over time. The dishwasher is equipped with an automatic water softener which removes the substances that cause hardness from the water with the aid of regenerating salt.



The first time the dishwasher is used, a litre of water must be poured into the tank with the salt. Whenever the tank is filled, always take care to ensure that the cap is firmly closed. The mixture of water and detergent must not get into the salt tank, as this would impair operation of the regeneration system. In this case warranty cover will be forfeited.

6 SET-UP (Authorised technical staff only)



Set-up

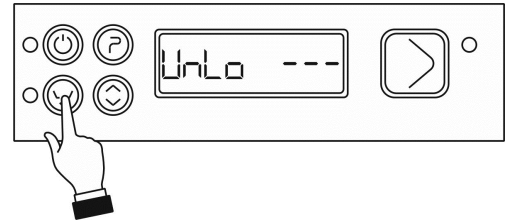
During first start-up, the functions/parameters listed below must be set or adjusted:

6.1 Dishwasher parameter modification procedure:

Access “programming mode”

With the tank empty (during “FILL”)

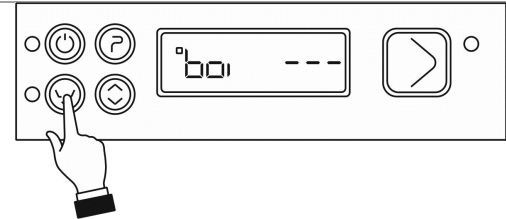
- 1- Switch on the appliance; the display will show “FILL”
- 2- Open the door/lift the hood (depending on the model)
- 3- Press the button once. The display will show “UNLO”.
- 4- Close the hood/door (depending on the model).
- 5 - Press the button and hold it down for 5/7 seconds. When the second beep is heard, release the button and press it again to access the main PCB setup menu.



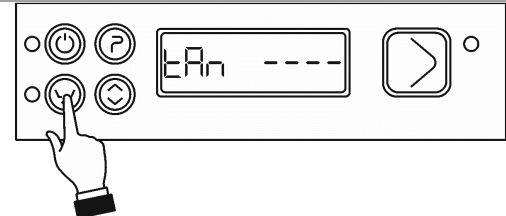
With the tank full (during “P1 – P2 – P3 – P4”) and door/capote open

- 1 - Press the button and hold it down for 5/7 seconds. When the second beep is heard, release the button and press it again to access the main PCB setup menu.

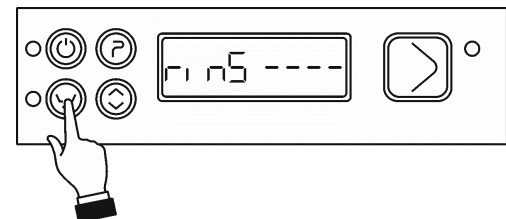
Rinsing temperature (boiler temperature)



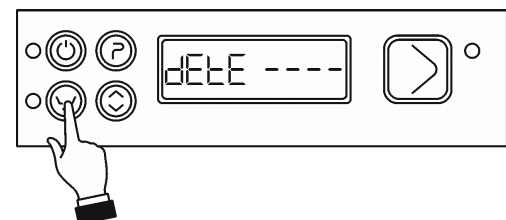
Washing temperature (tank temperature)



Quantity of rinse aid dispensed, OPT, only if installed (the number indicates the grams/liter dispensed in tank)

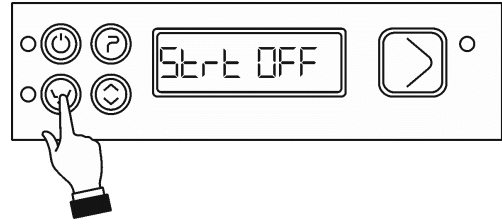


Quantity of detergent dispensed, OPT, only if installed (the number indicates the grams/liter dispensed in tank)

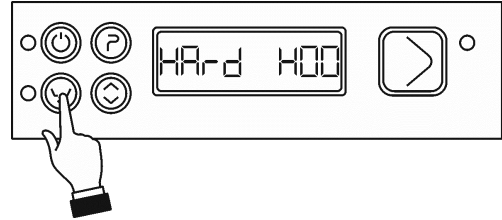


Start-on/start-off

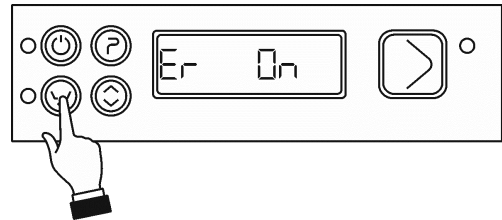
Set at “on” to start the cycle when the hood/door is closed.
 Set at “off” to start the cycle after confirmation with the start button



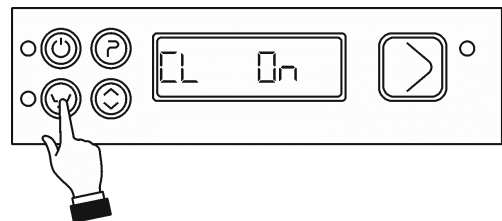
Water hardness setting (OPT, on models with softener only)



Rinsing is 8” longer than the standard in each washing cycle.
 On: enabled – OFF: disabled.

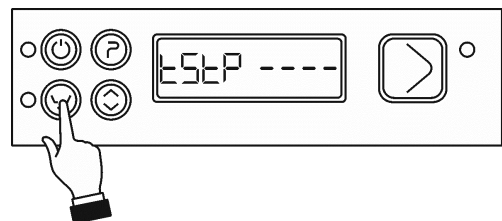


With this option clean water is used for every washing. At each cycle, the washing water is completely drained and it is replaced with clean water from rinsing.
 On: enabled – OFF: disabled.



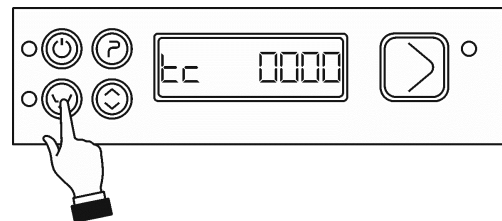
tStP on/off

“on” = **minimum rinsing temperature** as set, regardless of intake water temperature; the cycle duration may be a few seconds longer than the nominal length.
 “off” = the **minimum rinsing temperature** might be a few degrees lower than the setting if hot intake water is not used.



Display of the number of cycles performed

When scrolling through the appliance parameters, the “tc 88888” item will also appear; this is the count of the total cycles performed by the dishwasher since installation.
This parameter cannot be modified or reset unless the software is reprogrammed.



<p>Customisation of duration of program P4 (optional, only if installed)</p>	
<p>Steam extraction system operating time display and setting (optional if installed).</p>	
<p>This submenu and the relative functions can only be accessed with the aid of a password available on SmegTech and only by technical staff.</p>	

6.2 Quit “ SET-UP “ menu

Wait more than 3 minutes without pressing any button and the appliance quits this menu automatically, or hold the on/off button down until the beep to exit.

Caution: the tank and boiler temperatures shown on the display may be different from the actual temperatures by a few degrees, especially in transient phases (just after the FILL is completed, just after the end of the cycle, etc.) due to the inertia of the measurement probe.

6.3 Rinsing temperature setup

	<p>Modify the value of the parameter by pressing .</p>
--	---

6.4 Washing temperature setup

	<p>Modify the value of the parameter by pressing .</p>
--	--

6.5 Rinse aid dispensing setup (optional if installed)

		<p>Every time is pressed, the value increases of 0,1 g/l up to a max. of 2 g/l.</p> <p>Default: 1,2 g/l.</p>
--	--	--

6.6 Adjusting detergent dispensing (optional if installed)

<p>From 0,0 g/l to 3,0 g/l every time is pressed, the value increases of 0,2 g/l.</p> <p>Over 3,0 g/l every time is pressed, the value increases of 1,0 g/l up to 10,0 g/l (maximum value).</p> <p>Default factory-set value = 2,6 gr/lit.</p>		

6.7 Autostart function

	<p>Modify the parameter (ON/OFF) by pressing .</p>
--	--

Set at "on" to start the cycle when the hood is closed.

Set at "off" for cycle start after confirmation with the start button .

6.8 Regeneration frequency setup (models with softener)

- (Default value: **H03**; modify the parameter to suit the mains water hardness.
- At first use, the salt tank has to be filled. It is subsequently sufficient simply to fill up with regenerating salt when necessary.

	Modify the value of the parameter by pressing .	Hardness (°dH German degrees) Regeneration off	Hardness (°dF French degrees) Regeneration off	Setting level H00
		8.5 11 17 22.5 28	15 20 30 40 50 60	H01 H02 H03 H04 H05
Important: During normal operation, the dishwasher will perform a number of washing cycles while regeneration is in progress. During this time (5-6 cycles) the intake water will not be treated, but this will not affect the washing quality.		33.5	60	H06

With values over 60°f an external water treatment device must be used and the regeneration frequency **must be set on H00**.

6.9 tStP (minimum rinsing temperature) function

	Modify the parameter (ON/OFF) by pressing .
--	---

Set at “on” for minimum rinsing temperature as set; set at “off” for rinsing regardless of boiler temperature. If the parameter is set as “off” and hot intake water is not used, the minimum rinsing temperature might be a few degrees lower than the setting.



If the thermostop device is set “off” the rinsing °C are no longer monitored and the user is responsible for ensuring that the minimum correct °C are maintained for the tank and boiler. It is particularly important to check the intake water temperature. Also refer to the insufficient washing/drying /foam in tank point of the “troubleshooting” section : restore °C Stop ON and/or connect the appliance to a hot water supply

6.10 Customisation of duration of program P4 (optional if installed).

The duration of program P4 can be customised from 3 to 10 minutes

	<p>Access the programming procedure and scroll through to “inF” using the button, then scroll through to 03:00 and press the button to set the time required (from 3 to 10 minutes)</p>
	<p>After a few seconds without the user pressing any buttons, the display will return to the normal operating status and the modifications will be saved.</p>

6.11 Steam extraction time setting (optional if installed)


	<p>Steam extraction system operating time display and setting</p>
--	---

6.12 Service setting (for After-Sales Service only)

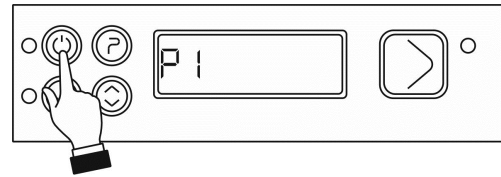
	<p>See information on Smegtech</p>
--	------------------------------------

6.13 Starting the peristaltic pumps – rapid filling of detergent and rinse aid delivery circuit.

Perform after the parameter modification procedure explained in the previous point.

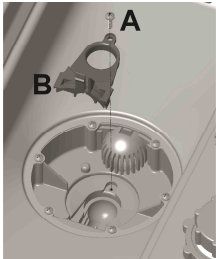
With the dishwasher powered up, access “programming mode” by pressing the on/off  button for a few seconds; at the “beep”, release the button and press it again **quickly within 0.5 seconds**.

The peristaltic pumps continue to operate until the same button is pressed again. The rinse aid and detergent symbol lights flash alternately as long as the pumps are on; bear in mind that the rinse aid peristaltic pump fills the circuit in about 7 minutes, while for the detergent it only takes 2 minutes. So draw only rinse aid from the jerry cans (1 for the rinse aid and the other for the detergent) for the first 5 minutes and then also take in detergent for the last 2.



7 MALFUNCTIONS SHOWN ON THE DISPLAY (FOR THE TECHNICIAN)

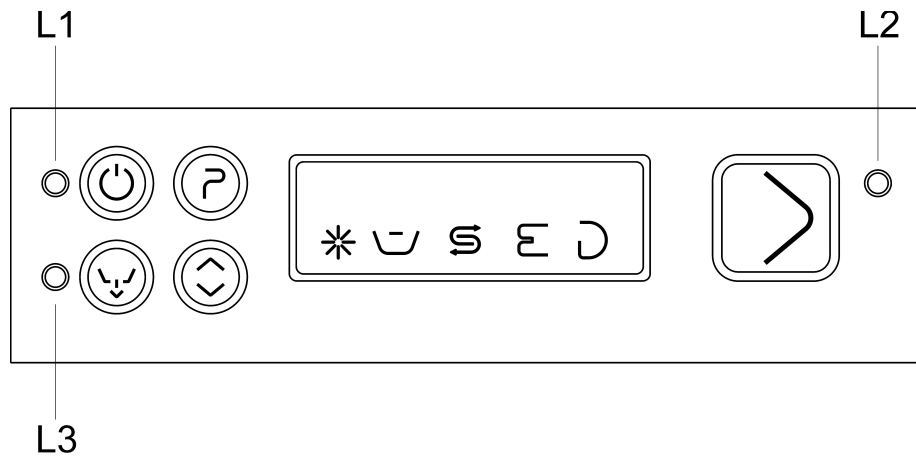
The dishwasher is able to identify a number of malfunctions and show them on the display. If the problem persists after the dishwasher has been switched off and back on, proceed as described below:

Err01	The anti-flooding system has been activated (for the relevant models only).	Large water leak: check the origin of the problem.
Err04	Tank temperature probe malfunction	Tank temperature probe disconnected or not working.
Err05	Tank water filling malfunction	<p>The tank does not fill within the allowed time: check water intake tap, dynamic pressure in intake system, cleaning of water intake filter, possible damage to water intake hose or cleaning of rinsing nozzles. If the problem persists during FILL:</p> <ul style="list-style-type: none"> - tank pressure switch has failed (continuous empty reading: check whether tank safety pressure switch is tripped) - leak from pipe connected to air trap <p>If the problem occurs during work cycle</p> <ul style="list-style-type: none"> - filler hose bleeder valve fouled: tank empties completely at end of a wash cycle due to siphon effect.
Err06	<p>Water pump-out malfunction</p> 	<p>Inspect the filters for dirt and check that the drain hose is not blocked, bent or crushed.</p> <p>Check that the drain pump is not blocked by dirt by removing the insert on the sump (from inside the tank).</p> <p>If it persists, check in this order:</p> <ul style="list-style-type: none"> - with tank empty: constant “tank full” signal: tank pressure switch faulty or leak from connections of air trap connection pipe (water entering pipe) - with tank full: drain pump failure
Err09	Too much water in tank	<p>With tank full: see above (water pump-out malfunction)</p> <p>With tank empty: constant “tank full” signal: safety pressure switch faulty or leak from connections of air trap connection pipe (water entering pipe)</p>
Err23	Boiler does not heat up as expected	<p>The problem might occur because water is continually entering the tank (the causes are as for Err5 – see above)</p> <p>If it persists, check in this order:</p> <ul style="list-style-type: none"> - damaged boiler heating element - contactor failure, - boiler safety thermostat failure, - boiler temperature probe faulty or incorrectly positioned - motherboard relay failure, <p>Important: if the boiler heating element is damaged, this might be due to operation with no water in the boiler - the pressure switch</p>

		is indicating full even with the boiler empty: check and if necessary replace the boiler air trap and/or the relative pressure switch: the problem is generally preceded by “boiler overheating E28”
Err24	Boiler temperature probe malfunction	boiler temperature probe disconnected or not working
Err25	Boiler water filling malfunction	The boiler does not fill within the allowed time: check water intake tap, dynamic pressure in intake system, cleaning of water intake filter, possible damage to water intake hose Or check in this order: - boiler pressure switch has failed (continuous empty reading) - pipe leaking/disconnected (water entering pipe)
Err26	Boiler emptying malfunction	- check that rinsing spray arm nozzles are clean - boiler pressure switch has failed (continuous full reading) - pipe leaking/disconnected (water entering pipe) - rinsing pump not working
Err27	Boiler emptying malfunction – with tank full	Boiler pressure switch has failed (continuous full reading)
Err28	Boiler heating malfunction (overheating)	First check: - boiler pressure switch has failed (continuous full reading) - pipe leaking/disconnected: water entering pipe connected to air trap, pressure switch continues to give full reading even with boiler empty, heating element operating dry Or: - circuit board relay failure, or - contactor failure

8 INSTRUCTIONS FOR THE USER

8.1 Control panel



	On-off button
	Program selection button
	Start CONFIRM/PAUSE button
	Total emptying button (tank and boiler)
	Additional function selection button
	L1 Mains power on light
	L2 Intake/standby cycle in progress light (red/green)
	L3 Pump-out in progress light
	No rinse-aid symbol (if a system for monitoring outside the dishwasher is provided)
	Tank heating element on symbol
	No salt symbol (if softener is fitted)
	Boiler element on symbol
	No detergent symbol (if a system for monitoring outside the dishwasher is provided)

8.2 Before washing

Use only detergents and rinse aids for industrial dishwashers.

Do not use detergents intended for hand washing.

We recommend the use of Smeg products, specially developed for this dishwasher.



When topping up the tanks, take care not to swap the products; this might damage the dishwasher and cause malfunctions.

Do not mix different detergents; this would damage the dispenser device.

Industrial dishwasher detergents may cause serious irritation. Comply carefully with the instructions provided by the detergent producer on the pack.

Turn on the mains water tap (user)	Check:			Switch on the master switch (user): the word "OFF" appears on the display.
	The level of detergent and rinse aid in the containers.	That there is regenerating salt in the relative container (if fitted).	That the filters are in place, the spray arms rotate, and there are no foreign bodies in the dishwasher.	
		SALE SALT SEL SALZ SAL		ON-OFF

8.3 First use each day (tank and boiler empty)

Display shows	Actions and what happens
	With the hood closed: Press and hold it down, with word FILL appears.
	The dishwasher fills the tank after the water in the boiler has heated up; light L2 shows red and the boiler heating element symbol (once boiler filling has been completed) appears on the display.
	Wait for P1 to appear and LED L2 to change from red to green; the tank heating element light comes on until the set temperature is reached. The duration of this stage may vary depending on the mains water temperature and on the single-phase connection. Press the button quickly to display the tank (left) and boiler (right) temperatures for a short time.

	<p>Load the dishes Lower the hood and the cycle starts</p>
	<p>Select the program required by pressing .</p>
	<p>Only with Autostart OFF: Confirm the program start by pressing and holding it down for 1 second (light L2 changes from green to red).</p>
	<p>Cycle in progress, the progress of the cycle is displayed by vertical bars which illuminate in sequence. If the door is opened "CLOSE" flashes and the program stops. Close the door again and confirm the program start by pressing and holding it down for 1 second (light L2 changes from green to red).</p>
	<p>At the end of the program "End" flashes</p>
	<p>Unload the dishes</p>
<p>When the hood is closed again, the system offers the last program run.</p>	

8.4 Changing the Program

	<p>With the hood closed, to change to a fresh program instead of repeating the last one, press the button. The programs available are displayed.</p>
	<p>If a program has already started, press and hold it down to interrupt it.</p>
	<p>Change the program by pressing .</p>
	<p>Confirm the program start by pressing and holding it down for 1 second (light L2 changes back to orange).</p>

Note:

During heating of the water in the boiler and tank with the cycle running, the tank heating element and boiler heating element symbols may appear on the display.

Filter presence sensor (on some models only)

The filter is fitted with a sensor which checks that it is properly fitted; if it is not in the correct position, the word **FiLter** appears on the display.

9 CHOOSING THE PROGRAM

PROGRAM	TYPE OF DIRT	DURATION (*)
P1	Glasses	Short, about 1' 30"; 1' with glassware function active.
P2	Glasses, cups and plates with light dirt	Average, about 2' 30"; 2' with glassware function active.
P3	Very dirty dishes and cutlery	Long, about 4'; 5'30" with sani function active.
P4	Depending on the duration set.	As required from 3 to 10'.

(*) The cycle duration stated above refers to three-phase appliances supplied with hot water at 50°C. If the appliance is supplied with cold water, the cycle duration might increase depending on the intake water temperature, since the dishwasher is fitted with the HTR system, which requires set temperature and pressure for rinsing.

10 SUPPLEMENTARY FUNCTIONS

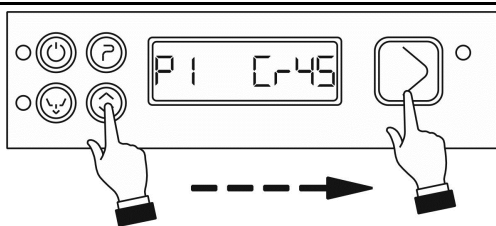
(according to the model, some of the following functions are available)

To select a supplementary function, when the program required is shown on the display (P1, P2, P3 or P4) press the button. Only one supplementary function can be selected for each program.

10.1 Selecting the crys "glassware" function (available in P1-P2)

Reduces the program's rinsing temperature and duration

After selecting the "Crys" function, perform a cycle with the appliance empty to stabilise the boiler temperature



Press and hold it down to select the glassware function then press to confirm the program start.

10.2 Selecting the “extra rinse” function (available in P1-P2-P3-P4)

Extends the duration of the rinse

	<p>Press and hold it down to select the extra rinse function then press to confirm the program start.</p>
--	---

During performance of cycles with Extra Rinse, the cycle duration increases by about 30" because of the increased duration of the rinsing phase and the time consequently required to restore the level and temperature in the boiler. If the Termostop is OFF and the dishwasher is connected to cold water, this function will be less effective

Selecting the “sanitisation” function (only available in P3)

Increases the program’s washing and rinsing temperatures and duration

	<p>Press to select the sanitisation function then to confirm the program start.</p>
--	---

8.1 Selecting “A0:60” function (available in P3)

It increases the washing and rinsing temperature in order to kill the residual bacteria.

	<p>Press to select the function then to confirm the program start.</p>
--	--

8.2 Selecting “bEEr cycle” function (available in P3-P4)

The temperature of water in boiler is lowered to 20°.

If boiler temperature exceeds 40°, a triple rinse with cold water is carried out in order to drop the boiler temperature (or until the three rinses aren’t done, or until the boiler temperature is below 40°: priority is given to the action which ends first); at the end of these rinses, the system releases a dose of detergent equal to the one that is released at the end of the FILL.

	Press to select the function then to confirm the program start.
--	---

8.3 Selecting “clean water cycle” function (available in P1-P2-P3-P4)

Washing cycle with clean water: the tank will be completely emptied, and a long rinse with clean water is carried out.

	Press to select the function then to confirm the program start.
--	---

N.B.:

- the supplementary function remains selected until the program is changed or the dishwasher is switched off by pressing the button.
- During execution of the selected program, the display alternates between showing the supplementary function and the duration.

LOADING THE DISHES

<p>Glasses Load glasses upside down.</p>	<p>Plates The basket is able to take 12 soup plates or 18 dinner plates. Remove solid residues (bones, fruit peel, stones, etc.) and first soak plates with dried residues of cheese, egg, etc. in water.</p>	

Cutlery

Use the basket(s) provided. Load cutlery loose, preferably with the handle at the bottom, taking care not to injure yourself with fork prongs or knife blades.

TOTAL PUMP-OUT AT THE END OF THE DAY

The dishwasher is able to perform an automatic cleaning cycle at the end of the day.

	<p>Press the pump-out button and the display shows “UnLo” and the duration.</p>
	<p>Confirm by pressing ; light L2 turns orange.</p>
	<p>When pump-out is complete the appliance switches to “OFF” status.</p>

11 MAINTENANCE AND CLEANING

Although no particular scheduled maintenance is required, users are advised to have the dishwasher checked by a specialist technician twice a year.

N.B: the manufacturer accepts no liability for wilful damage or damage deriving from carelessness, neglect, failure to comply with instructions, regulations and standards or incorrect connections.

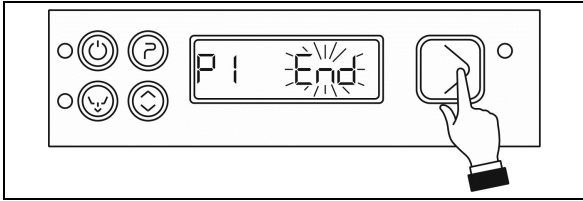
11.1 Daily cleaning

The dishwasher has **IPX5** protection, but the use of direct water jets for cleaning is **forbidden**.

Cleaning the filter during the day

In case of particularly heavy-duty working conditions, the filter should be cleaned every 30-40 cycles, keeping the machine in operating conditions; to do this, carry out the “partial tank pump-out” routine (program “PO”).

	<p>Press the button, and hold it down, until “PO” and the duration of 2’ appear on the display.</p>
	<p>Confirm by pressing ; light L2 turns orange.</p>

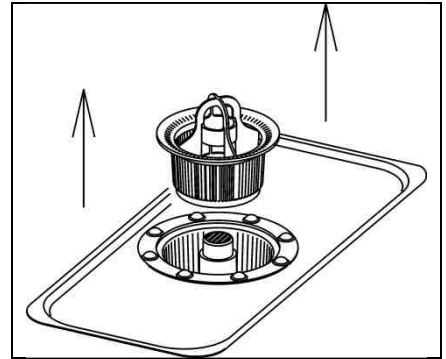


At the end of the pump-out the word “End” flashes on the display. The display returns to showing “P1”. Clean the filter; the dishwasher automatically fills the tank when the hood is closed.

Remove the filters (simply lift them out as shown here), taking care that no large residues fall into the sump underneath. Clean them to remove residues and rinse with plenty of water, then put them correctly back in place; do not use sharp or pointed tools.

Clean away any limescale deposits to prevent excessive build-ups;

- If possible, leave the hood ajar when not in use;
- Clean surfaces thoroughly and often with a damp cloth; use neutral, non-abrasive detergents which do not use chlorine compounds, which corrode and damage stainless steel.



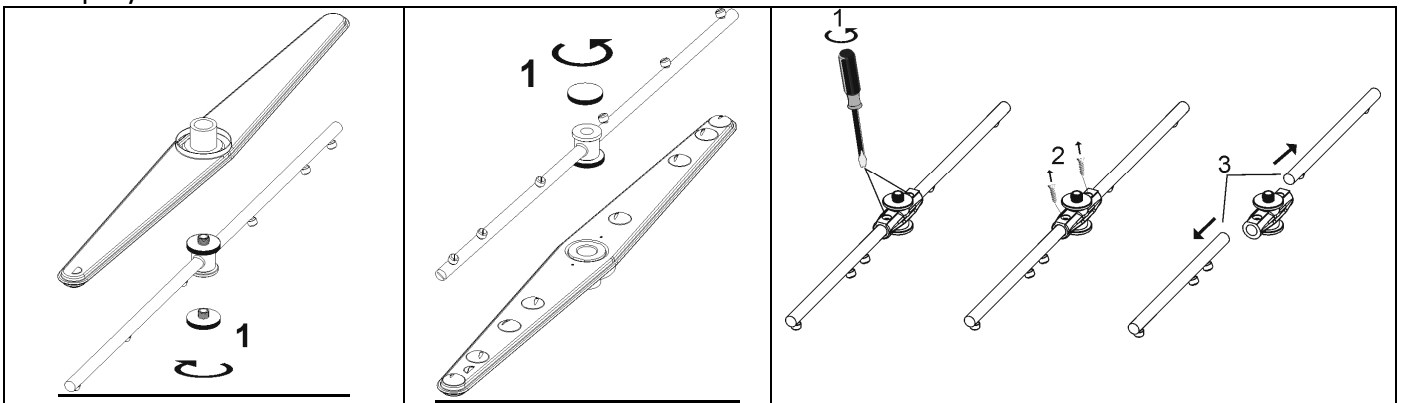
Do not use the products mentioned above even when cleaning the floor underneath or in the vicinity of the dishwasher,

to ensure that fumes or drops cannot damage the steel surfaces.

IMPORTANT:The dishwasher automatically performs program “P0” at the start of the day if **water has been left in the tank** and has dropped below the temperature of 40°C

11.2 Routine inspection of the spray arms

Remove the washing and rinsing (top and bottom) spray arms by unscrewing the central screw; remove the rinsing spray arms 3 and remove the screws 2 as shown. **Do not unscrew the nozzles.** Clean the holes and nozzles under a jet of clean running water; **do not use tools which might cause damage.** Reassemble the spray arms with care.



Clean the outside of the appliance with a damp cloth and neutral soap, rinsing and drying thoroughly.

11.3 Lengthy periods out of use

If the dishwasher is to be out of use for a fairly long period of time, **the detergent and rinse aid dispenser devices must be emptied to prevent crystallisation and damage to the pumps:** remove the intake hoses from the detergent and rinse aid containers and place them in a container of clean water, then perform a few wash cycles followed by a complete pump-out.

Finally, turn off the master switch, close the water intake valve and leave the hood ajar until the interior is completely dry. The detergent and rinse aid intake hoses must be put back into the containers when the dishwasher is returned to service, **taking care not to swap them over** (red hose = detergent, blue hose = rinse aid).

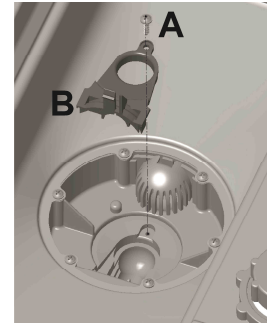
12 TROUBLESHOOTING

If the system fails to pump out because the drain pump is fouled (as a result of incorrect filter positioning), proceed as follows:

Bale out the dishwasher with a basin and disconnect it from the electrical mains.

Unscrew the screw **A**, release the tang **B** and lift it.

Check that the impeller of the drain pump underneath the cover turns freely, and is free from dirt, limescale residues, or pieces of glass. Never use tools, screwdrivers, scissors, etc.



PROBLEM	POSSIBLE CAUSE	POSSIBLE REMEDY
LIGHT S1 DOES NOT COME ON	Mains power failure	Check electrical mains connection.
WASHING PROGRAM DOES NOT START	The dishwasher has not yet finished filling.	Wait for the word FILL to go out.
	The word CLOSE remains on the display	If the word CLOSE remains on the display even with the door closed, call the after-sales service.
POOR WASHING RESULTS	Spray arm washing holes blocked by dirt or limescale	Remove spray arms and clean them (10.2 Periodic checks)
	Filter fouled	See "Cleaning the filter during the day"
	Too little or unsuitable detergent or rinse aid	Check type and quantity of detergent.
	No or not enough detergent or rinse aid being supplied: detergent or rinse aid not being taken from the relative container.	Pipe inside detergent and/or rinse aid peristaltic pump worn or broke, have it replaced by the After-Sales Service.
	Plates/glasses badly arranged	Arrange plates/glasses correctly.
	Low washing temperature	Check temperature shown on the display, call the after-sales service if less than 50°C
	Inappropriate cycle set	Increase washing duration, especially if dishes are very dirty or dirt has dried on.
	Spray arm nozzles fouled Limescale in boiler	- Check that nozzles are clean, and ensure that the softener is working properly (if installed). - Check that the filter of the hose inserted in the rinse aid tank is not fouled.
INADEQUATE RINSING	Rinse aid unsuitable or not being delivered correctly. Rinsing temperature too low	Check container of rinse aid and whether it is suitable for the type of mains water. Check boiler temperature setting If the problem persists, contact the after-sales service.

<p>DISHES NOT PROPERLY DRIED</p>	<p>Rinse aid unsuitable or not being delivered correctly. Water hardness above 12°dF or large amounts of dissolved salts</p>	<p>Check container of rinse aid and whether it is suitable for the type of mains water. Restore T Stop ON and/or connect the appliance to a hot water supply. If the problem persists, contact the after-sales service.</p>
<p>STAINS ON GLASSES AND CUTLERY</p>	<p>Drain hose incorrectly positioned or partially obstructed.</p>	<p>Check that the dishwasher drain hose and rain are unobstructed and the drain is not too high up; see connection diagram.</p>
<p>WATER IN TANK AFTER PUMP-OUT</p>	<p>Drain hose incorrectly positioned or partially obstructed.</p>	<p>Check that the dishwasher hose and drain are unobstructed and the drain is not too high up; see connection diagram.</p>

13 MALFUNCTIONS SHOWN ON THE DISPLAY (FOR THE USER)

The dishwasher is able to identify a number of malfunctions and show them on the display.

If the problem persists after the dishwasher has been switched off and back on, proceed as described below:

(TO ALLOW THE AFTER-SALES SERVICE TO TAKE THE APPROPRIATE ACTION, ALWAYS MAKE A NOTE OF THE ERROR INDICATED)

Err01	The anti-flooding system has been activated (for the relevant models only).	Contact the After-Sales Service.
Err04	Tank temperature probe malfunction	Contact the After-Sales Service
Err05	Tank water filling malfunction	Check that the water intake tap is on and the dynamic pressure in intake system, inspect water intake filter and clean if necessary. If the problem persists, contact the After-Sales Service.
Err06	Water pump-out malfunction (dishwasher is left full of water)	Inspect the filters for dirt and check that the drain hose is not blocked, bent or crushed. Check that the drain pump is not blocked by dirt; proceed as described in point "10.2 Periodic checks". If the problem persists, contact the After-Sales Service.
Err09	Tank water level too high	Contact the After-Sales Service.
Err23	Boiler heating malfunction (does not heat up)	Contact the After-Sales Service.
Err24	Boiler temperature probe malfunction	Contact the After-Sales Service.
Err25	Boiler water filling malfunction	Check that the water intake tap is on and the dynamic pressure in intake system, inspect water intake filter and clean if necessary. If the problem persists, contact the After-Sales Service.
Err26	Boiler emptying malfunction	Check that the rinsing spray arm nozzles are not fouled. If the problem persists, contact the After-Sales Service.
Err27	Boiler emptying malfunction – with tank full	Contact the After-Sales Service.
Err28	Boiler heating malfunction (overheating)	Contact the After-Sales Service.

INFORMATION AND AFTER-SALES SERVICE FOR SMEG PRODUCTS

COMMERCIAL DISHWASHERS

Our Sales Department staff will be able to provide you with information about prices and special offers.

Our After-Sales Department will be able to provide you with guidance about keeping your appliance functioning correctly and put you in touch with your nearest authorised Service Centre.

Our whole product offering can be viewed at:

www.smegfoodservice.com

International customers, please

contact your local SMEG distributor.

Smeg S.p.A.

Via Leonardo da Vinci, 4 - 42016 Guastalla (Reggio Emilia)

Tel. +39 0522 8211 - Fax + 39 0522 821453

email foodservice@smeg.it

<i>19.390.5846.00</i>	<i>06/05/2015</i>
Revision	Date

Il materiale contenuto in questo manuale è a scopo informativo. Il contenuto e l'apparecchiatura descritta possono essere soggetti a modifiche senza che ne venga data comunicazione

<i>19.290.2067.00</i>	<i>06/05/2015</i>
<i>Rev. Manuale</i>	<i>Date</i>