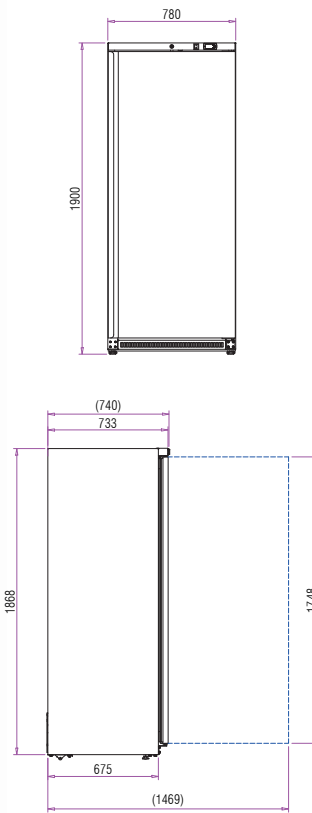


600L Refrigerators and Freezers

HW600



LS600



FEATURES

White laminated (W) or stainless steel exterior (S)

White aluminium interior

Reversible door

Lock fitted as standard

Refrigerator - 4 adjustable shelves
Freezer - 5 fixed shelves

Replaceable door gasket

TECHNICAL SPECIFICATIONS

| | Refrigerator | Freezer |
|--------------------|-------------------|---------------|
| Controller: | Dixell controller | |
| Cooling: | Ventilated | Static |
| Defrost: | Automatic | Manual |
| Refrigerant: | R290 | R290 |
| Climate Class: | 4 | 4 |
| Temperature Range: | +2°C ~ +8°C | -18°C ~ -22°C |
| Power Supply: | 13amp | 13amp |

| MODEL | TEMPERATURE RANGE | GROSS CAPACITY | EXT. DIMENSIONS (H x W x D mm) | ENERGY RATING | POWER CONSUMPTION | KWH /ANNUM | DECIBELS | WEIGHT (kg) | RRP |
|-------|-------------------|----------------|--------------------------------|---------------|-------------------|------------|----------|-------------|------------------|
| HW600 | +2°C ~ +8°C | 600L | 1900 x 780 x 740 | D | 267W | 974 | 48dBA | 110 | £927.00 |
| HS600 | +2°C ~ +8°C | 600L | 1900 x 780 x 740 | D | 267W | 974 | 48dBA | 110 | £1,009.00 |
| LW600 | -18°C ~ -22°C | 600L | 1900 x 780 x 740 | - | 350W | - | 48dBA | 120 | £1,029.00 |
| LS600 | -18°C ~ -22°C | 600L | 1900 x 780 x 740 | - | 350W | - | 48dBA | 120 | £1,100.00 |

