

robot coupe®

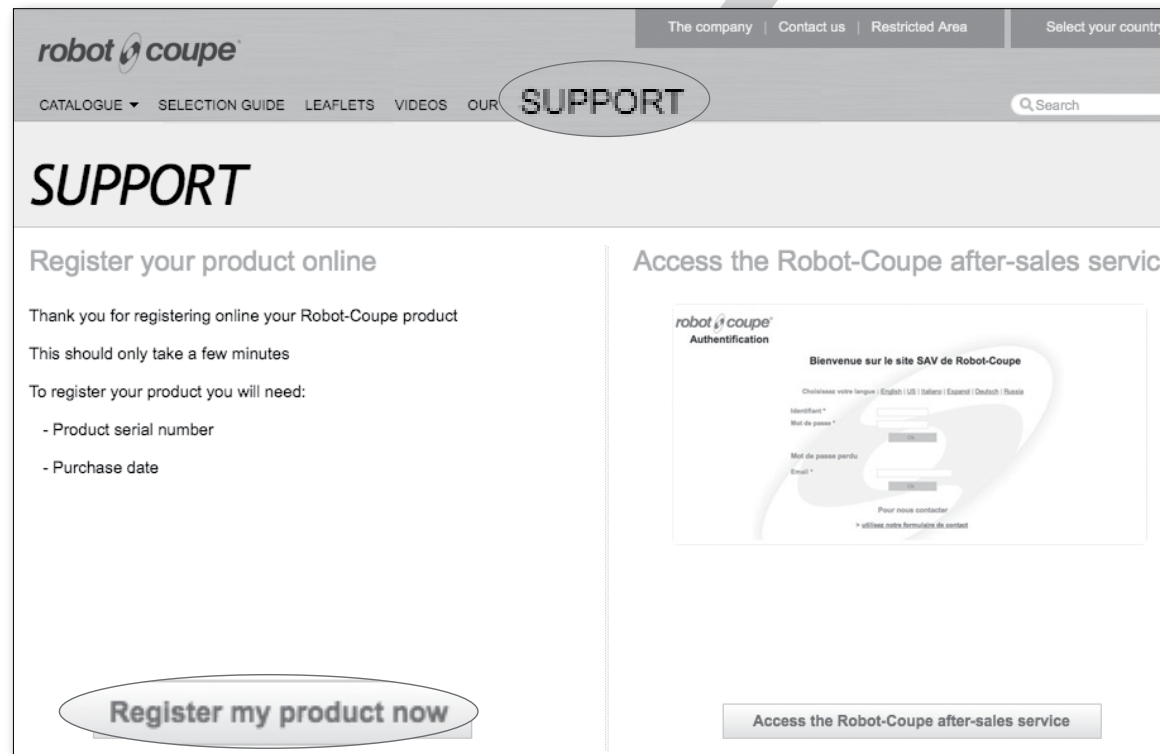
New
Register
your product
on line



Blixer® 23 A • Blixer® 30 A • Blixer® 45 A • Blixer® 60 A
R 23 A • R 30 A • R 30 V.V. A • R 45 A • R 45 V.V. A • R 60 A

www.robot-coupe.com

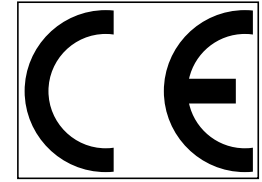
@ Register your product on line



The screenshot shows the Robot-Coupe website's support page. At the top, there is a navigation bar with the company logo, links for 'The company', 'Contact us', 'Restricted Area', and 'Select your country...'. Below this is a secondary navigation bar with 'CATALOGUE', 'SELECTION GUIDE', 'LEAFLETS', 'VIDEOS', 'OUR SUPPORT', and a search bar. The main content area is titled 'SUPPORT' and is divided into two columns. The left column is titled 'Register your product online' and contains the following text: 'Thank you for registering online your Robot-Coupe product', 'This should only take a few minutes', and 'To register your product you will need:'. Below this is a list of requirements: '- Product serial number' and '- Purchase date'. At the bottom of this column is a button labeled 'Register my product now'. The right column is titled 'Access the Robot-Coupe after-sales service' and contains an image of an authentication page. The authentication page has the title 'robot coupe Authentification' and the subtitle 'Bienvenue sur le site SAV de Robot-Coupe'. It includes a language selection dropdown, fields for 'Identifiant *' and 'Mot de passe *', a 'Mot de passe perdu' link, and an 'Email *' field. At the bottom of the authentication page is a link 'Pour nous contacter' and a note '» utiliser notre formulaire de contact'. At the bottom of the right column is a button labeled 'Access the Robot-Coupe after-sales service'.

robot coupe®

robot coupe®



DECLARATION OF CONFORMITY

Declares that the machines identified by their type above, comply with:

- The essential requirements of the following European directives and with the corresponding national regulations:

- Directive «Machinery» 2006/42/EC,
- Directive «Low voltage» 2006/95/CE,
- Directive «Electromagnetic compatibility» 2004/108/EC,
- Regulation (EC) n°1935/2004 «Materials and articles intended to come into contact with food»,
- Regulation (EU) n°10/2011 «Plastic materials and articles intended to come into contact with food»,
- Directive «Reduction of Hazardous Substances (RoHS) 2002/95/EC,
- Directive «WEEE» 2002/96/EC,

- The requirements of the European harmonized standards and with the standards specifying the hygiene and safety requirements:

- EN ISO 12100: 2010: Safety of machinery – General principles for design,
- EN 60204-1 -2006: Safety of machinery – Electrical equipment of machines,
- EN 12852: Food Processors and Blenders,
- EN 1678-1998: Vegetable Cutting Machines,
- EN 454: Blender-Mixers,
- EN 12853: Hand-held Blenders and Whisks (stick blenders),
- EN 14655: Bread Slicers,
- EN 13208: Vegetable Preparation Machines,
- EN 13621: Salad Spinners,
- EN 60529-2000: Degrees of protection,
 - IP 55 for the electrical controls,
 - IP 34 for the machines.

Montceau en Bourgogne on 2 March 2015

Alain NODET
Industrial Director

SUMMARY

WARRANTY

IMPORTANT WARNING

YOU HAVE JUST PURCHASED A BLIXER® OR A VERTICAL CUTTER MIXER

**Blixer® 23 A • Blixer® 30 A
Blixer® 45 A • Blixer® 60 A • R 23 A • R 30 A
R 30 V.V. A • R 45 A • R 45 V.V. A • R 60 A**

ASSEMBLY

SWITCHING ON THE MACHINE

- Advice on electrical connections
- Control panel
- Powering up the machine
- Safety indicator lights

PRECAUTIONS FOR USE

- Emptying the bowl
- Blixer® blade assembly
- Vertical cutter-mixer blades

MAXIMUM PROCESSING CAPACITIES

FITTING AND USING THE BLADE ASSEMBLY

- Blixer® only
- Vertical cutter-mixer only

OPERATING INSTRUCTIONS FOR THE VACUUM KIT R-VAC®

VERTICAL CUTTER MIXER OPTIONS

- Coarse serrated blades
- Fine serrated blades
- Wheels
- R-VAC® vacuum kit

EXAMPLES OF USE

BLIXER FUNCTION

- Maximum processing capacities
- Examples of use
- Fitting and using the blade assembly
- Blixer scraper arm

CLEANING

- Bowl
- Blades
- Lid

MAINTENANCE

- Blades
- V-Ring seals
- Bowl seal
- Lid seal

DIAGNOSTIC SYSTEM

TECHNICAL SPECIFICATIONS

- Bowl capacities
- Weight
- Dimensions
- Installation
- Noise level
- Electrical data

SAFETY

STANDARDS

TECHNICAL DATA

- Motor sleeve replacement
- Exploded views
- Electrical and wiring diagrams

ROBOT-COUCPE S.N.C., LIMITED WARRANTY

Your new ROBOT-COUCPE appliance is warranted to the original buyer for a period of one year from the date of sale if you bought it from ROBOT-COUCPE S.N.C.

If you bought your ROBOT-COUCPE product from a distributor your product is covered by your distributor's warranty (Please check with your distributor terms and conditions of the warranty).

The ROBOT-COUCPE S.N.C. limited warranty is against defects in material and/or workmanship.

THE FOLLOWING ARE NOT COVERED BY THE ROBOT-COUCPE S.N.C. WARRANTY :

1 - Damage caused by abuse, misuse, dropping, or other similar damage caused by or resulting from failure to follow assembly, operating, cleaning, user maintenance or storage instructions.

2 - Labour to sharpen and/ or replacements for blades which have become blunt, chipped or worn after a normal or excessive period of use.

3 - Materials or labour to replace or repair scratched, stained, chipped, pitted, dented or discoloured surfaces, blades, knives, attachments or accessories.

4 - Any alteration, addition or repair that has not been carried out by the company or an approved service agency.

5 - Transportation of the appliance to or from an approved service agency.

6 - Labour charges to install or test new attachments or accessories (i.e., bowls, discs, blades, attachments) which have been arbitrarily replaced.

7 - The cost of changing direction-of-rotation of three-phase electric motors (Installer is responsible).

8 - SHIPPING DAMAGES. Visible and latent defects are the responsibility of the freight carrier. The consignee must inform the carrier and consignee immediately, or upon discovery in the case of latent defects.

KEEP ALL ORIGINAL CONTAINERS AND PACKING MATERIALS FOR CARRIER INSPECTION.

Neither ROBOT-COUCPE S.N.C. nor its affiliated companies or any of its distributors, directors, agents, employees, or insurers will be liable for indirect damage, losses, or expenses linked to the appliance or the inability to use it.

The ROBOT-COUCPE S.N.C. warranty is given expressly and in lieu of all other warranties, expressed or implied, for merchantability and for fitness toward a particular purpose and constitutes the only warranty made by ROBOT-COUCPE S.N.C. France.

RECOMMENDATIONS CONCERNING THE INSTALLATION OF VARIABLE-SPEED APPLIANCES AND PERSONAL SAFETY

These recommendations apply to machines equipped with an induction motor and a single-phase or three-phase wobbulator.

NB:

- The electrical circuit and the protective devices must comply with national regulations.

- The machine must be wired in by a qualified electrician

Protecting your appliance

- Like all electronic devices, wobulators include components that are sensitive to electrostatic discharges (ESDs). Before conducting any work on these wobulators, technicians must therefore rid themselves of electrostatic charges.
- The machine must be disconnected from the mains supply before any internal connection operations are carried out.
- Repeatedly switching on the appliance will cause the wobbulator to overload and may result in its destruction. After the machine has been switched off, you must wait for 3 minutes before switching it back on again.

50 or 60 Hz single-phase power supply

- The appliance runs on single-phase or three-phase current as far as the variator, which turns the current into variable frequency three-phase current to supply the motor.

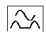
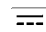
- You must connect the machine to a 200-240 V / 50 or 60 Hz single-phase alternating current supply with an earthed socket. A higher voltage will destroy the wobbulator.

- The earthed socket ensures operator safety.

Circuit interrupters ensuring user safety

Ground fault circuit interrupters (GFCIs) intended for variable-speed appliances need to be selected with great care in order to ensure operator safety. GFCIs may be sensitive to alternating current (type AC), impulse current (type A) or all currents (type B).

Danger! Wobulators feature a bridge-connected rectifier of the mains supply voltage. For this reason, in the event of an earth contact, a continuous fault current may fail to trip a differential circuit breaker that is only sensitive to alternating current (type AC).

It is therefore advisable to use a GFCI that is sensitive to impulse current (type A), identified by the following symbol:  or (B) .

Caution: *these GFCIs may go under different names, according to the manufacturer.*

Appliances with wobulators produce a fault current on the earth wire. This current may be sufficient to trip the differential circuit breaker unnecessarily. This may occur if :

- Several variable-speed appliances are connected to the same GFCI.
- The appliance produces a fault current that is above the GFCI's actual trip threshold.

Caution: *As there are manufacturing tolerances, the actual trip threshold of a GFCI will be between 50% and 100% of its theoretical nominal threshold. Should a problem arise, measure the fault current and the GFCI's actual trip threshold.*

You can begin by consulting the characteristics of your appliance in the table below:

Appliance	Mains supply	Conductor Cross-section (mm ²)	GFCI (Ph + N or 3 Ph)	
			Gauge (A)	Threshold (mA)
R 30 V.V.	380 - 440V 50 or 60 Hz	4	B 20 A	min. 100 mA*
R 45 V.V.		6	B 32 A	

*Connection instructions:

To protect users, it is vital to connect the R 30 V.V. and R 45 V.V. machines to the mains supply via a connection unit equipped with the above-mentioned residual current device. They must not be connected through a plug and socket.

IMPORTANT WARNING



WARNING : In order to limit accidents such as electric shocks or personal injury, and in order to limit material damage due to misuse of the appliance, please read these instructions carefully and follow them strictly. Reading the operating instructions will help you get to know your appliance and enable you to use the equipment correctly. Please read these instructions in their entirety and make sure that anyone else who may use the appliance also reads them beforehand.

UNPACKING

- Carefully remove the equipment from the packaging and take out all the boxes or packets containing attachments or specific items.
- **WARNING** - some of the tools are very sharp e.g. blades, discs... etc.

INSTALLATION

- We recommend you install your machine on a perfectly stable solid base.

CONNECTION

- Always check that your mains supply corresponds to that indicated on the identification plate on the motor unit and that it can withstand the amperage.
- The machine must be earthed.
- With the three-phase version, always check that the blade rotates in an anti-clockwise direction.

HANDLING

- Always take care when handling the blades, as they are extremely sharp.

ASSEMBLY PROCEDURES

- Follow the various assembly procedures carefully (see page 29) and make sure that all the attachments are correctly positioned.

USE

- Never try to override the locking and safety systems.
- Never insert an object into the container where the food is being processed.
- Never push the ingredients down with your hand.
- Do not overload the appliance.
- Never switch the appliance on when it is empty.

CLEANING

- As a precaution, always unplug your appliance before cleaning it.
- Always clean the appliance and its attachments at the end of each cycle.
- Never immerse the motor unit in water.
- For parts made from aluminum, use cleaning fluids intended for aluminum.

- For plastic parts, do not use detergents that are too alkaline (e.g., containing too much caustic soda or ammonia).
- Robot-Coupe can in no way be held responsible for the user's failure to follow the basic rules of cleaning and hygiene.

MAINTENANCE

- Before opening the motor housing, it is absolutely vital to unplug the appliance.
- Check the seals and washers regularly and ensure that the safety devices are in good working order.
- It is particularly important to maintain and check the attachments since certain ingredients contain corrosive agents, e.g. citric acid.
- Never operate the appliance if the power cord or plug has been damaged or if the appliance fails to work properly or has been damaged in any way.
- Do not hesitate to contact your local Maintenance Service if something appears to be wrong.

YOU HAVE JUST PURCHASED A BLIXER® OR A VERTICAL CUTTER MIXER Blixer® 23 A • Blixer® 30 A Blixer® 45 A • Blixer® 60 A • R 23 A • R 30 A • R 30 V.V. A • R 45 A • R 45 V.V. A • R 60 A

Our Blixers® and vertical cutter mixers are both fabulous workhorses in the kitchen, and will satisfy the needs of even the most demanding professionals. It can be used to perform countless jobs that you will gradually discover as you use it.

They boast two speeds: **1,500 and 3,000 rpm**. The vertical cutter mixer is designed to knead and grind, chop meat and vegetables, produce fine-textured stuffings and mousses, and much, much more besides. Even the most time-consuming tasks take less than 5 minutes to complete. For its part, the Blixer® is ideal for making texture-modified meals. Its numerous functions will open the door to a whole new culinary world.

Thanks to your appliance's simple design, all components requiring frequent handling for maintenance or cleaning can be fitted and removed with the greatest of ease.

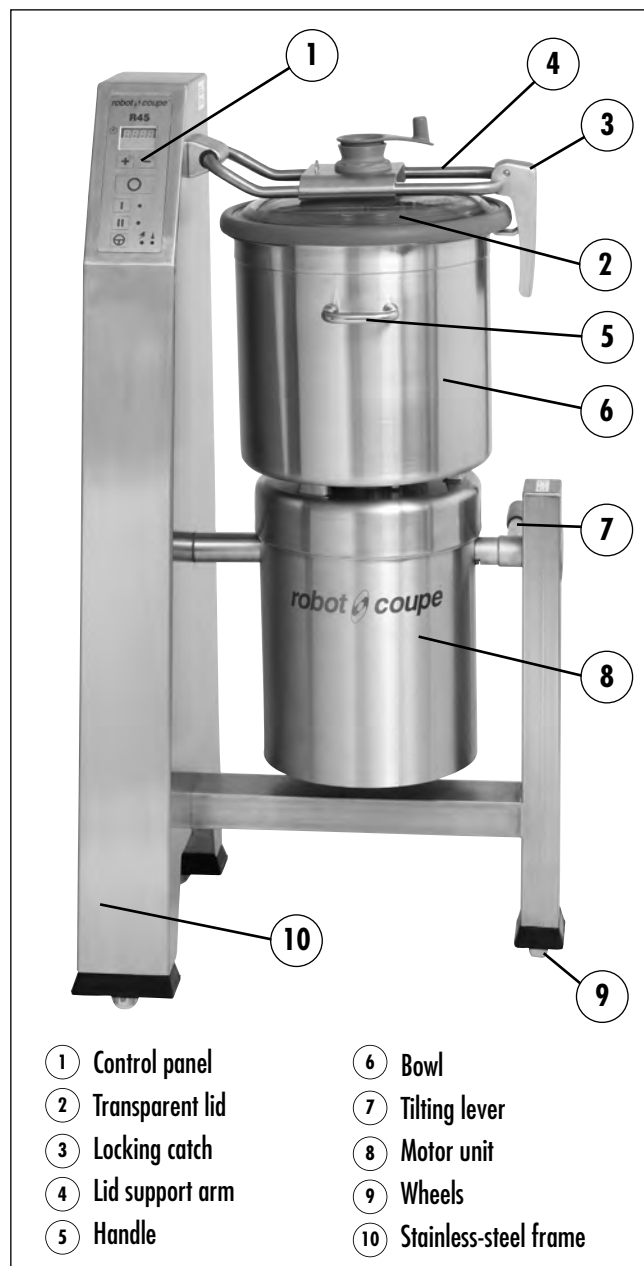
For optimum convenience, this manual describes the various fitting operations on a step-by-step basis.

It places special emphasis on explaining the various actions that cause the motor to stop, as the appliance is equipped with safety devices which prevent access to the cutting assembly until it has come to a complete standstill.

These instructions for use contain important information that will enable you to make the very most of your appliance.

We therefore recommend that you read this carefully before using your appliance.

We have also included examples of a few processing tasks to help you get the feel of your new appliance and appreciate the full range of its many useful features.



ASSEMBLY



1) With the appliance facing you, position the bowl directly above the motor shaft. Lower it so that the bowl is centred on its base.

2) Push down on the handles, rotating the bowl firmly in an anticlockwise direction until it is locked into position. **The handles should now be facing you on either side of the bowl.**



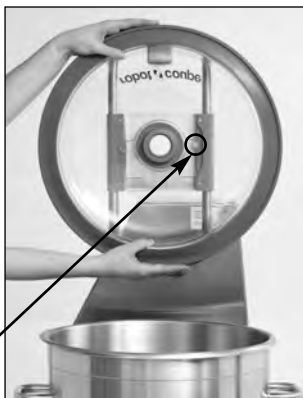
3) Place the blade assembly on top of the motor shaft. Then lower it to the bottom of the bowl by rotating it.

ingredients you wish to process in the bowl.

Always check that the blade assembly is correctly **positioned at the bottom of the bowl** before placing the

4) Clip the lid onto the lid rest and turn it so that the bosses are inside the arm.

The logo should now be facing you, lined up with the handle, with the safety magnet on the right.



5) To close the lid, fit the locking catch over the edge of the bowl and push the handle down.



DANGER : RISK OF INJURY

The blades are extremely sharp.

For this reason, always make sure you have removed the blade assembly before doing any job inside the bowl, such as cleaning or emptying.

• LID-WIPER ASSEMBLY – VERTICAL CUTTER-MIXER ONLY

Hold the lid wiper in one hand and the handle in the other. Press the two parts together at the centre of the lid, then turn the handle 45° in an anticlockwise direction.



• SCRAPER ARM ASSEMBLY - BLIXER® ONLY

Hold the scraper arm in one hand and the handle in the other. Press the two parts together in the centre of the lid, then rotate the handle 45° in an anticlockwise direction.



SWITCHING ON THE MACHINE

• ADVICE ON ELECTRICAL CONNECTIONS

The wiring must be installed by a qualified electrician.

Before plugging your appliance in, check that your power supply voltage is the same as that indicated on the motor identification plate.

If your appliance is not connected to the mains via a plug and socket, it must be connected via an insulating selector switch that can be padlocked.



RISK OF ELECTROCUTION

- The machine must be earthed.
- The appliance is only insulated from the mains supply when it is unplugged.

Switch on your appliance while empty to check that the blade rotates in an anticlockwise direction.

If the blade turns in a clockwise direction, invert the positions of two wires, as follows :

DO NOT DISCONNECT THE GREEN AND YELLOW earthing wire

Invert the positions of one of the following pairs of wires :either

① and ②

or ② and ③

or ① and ③

ROBOT-COUPÉ appliances are fitted with the following types of motor :

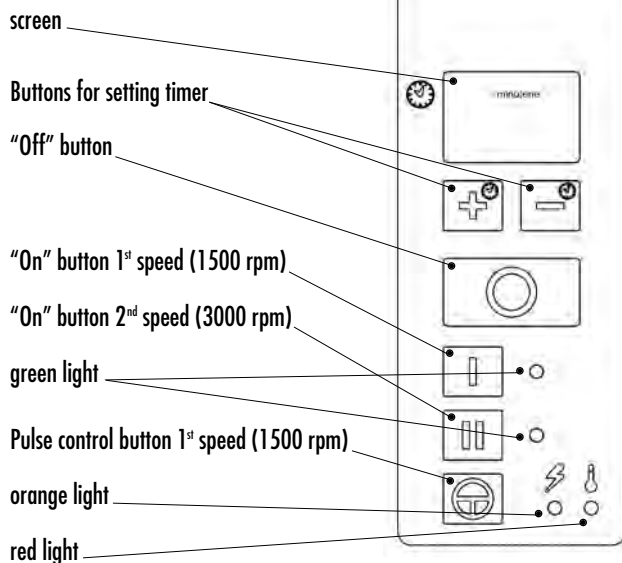
400 V / 50 Hz / 3

220 V / 60 Hz / 3

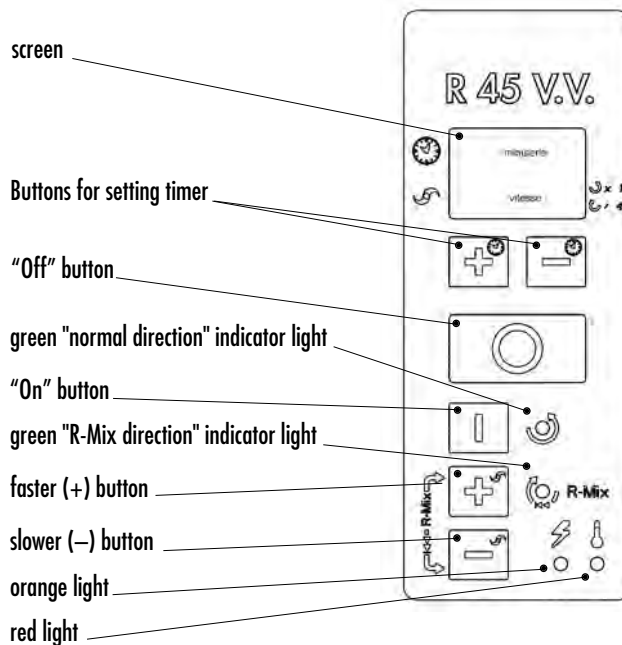
230 V-400 V / 50 Hz / 3

• CONTROL PANEL

- Dual-speed machines



- Variable-speed machines



• POWERING UP THE MACHINE

- Start-up

Stage 1

Each time the machine is powered up, the message « Cx Fyy » will appear on the screen:

- « x » will be a figure between 0 and 7, corresponding to the control board configuration.
- « yy » will be either "50" or "60", depending on whether the power supply has a frequency of 50 or 60 Hz.

Example: an R 45 ("2" configuration) operated at 50 Hz will display the following message:

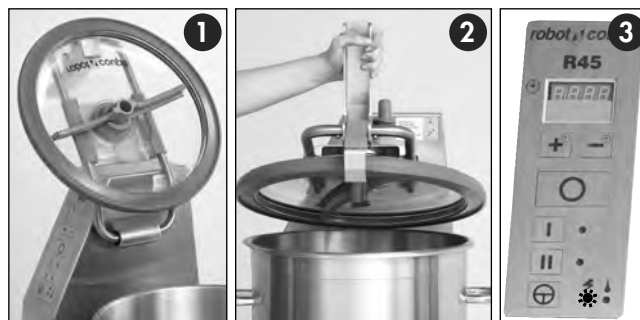


The orange indicator light will come on.



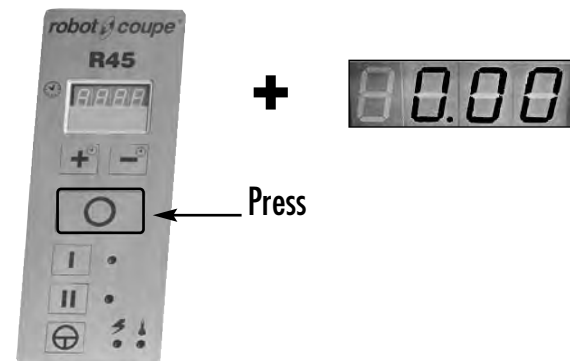
Stage 2

Open the lid, then close it again, to activate the safety system. The orange light will remain on.



Stage 3

Press the "OFF" button, then release it. Make sure you only do this when "0.00" or another duration is displayed on the screen.



Stage 4

The orange light will go out and the two green indicator lights will come on. The machine is now ready to use.



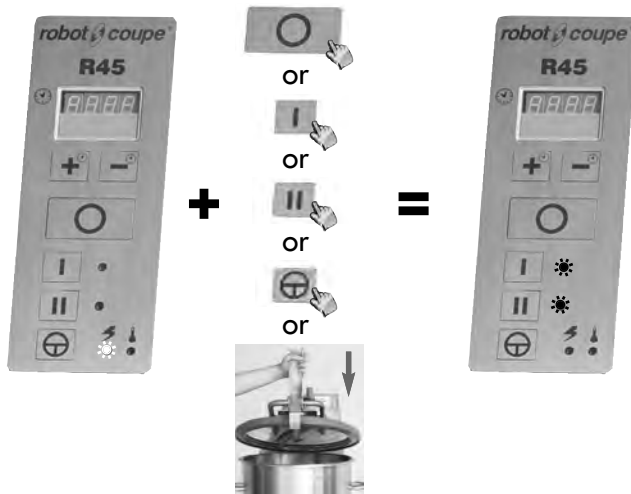
WARNING:

If you try to start the machine during one of the above stages by pressing the 1st or 2nd speed "ON" button, or even the "pulse control" button, nothing will happen. A troubleshooting message (see table on page 41) will appear on the screen.

- Standby

If the machine is left powered up but unused for between 15 and 120 minutes, without any movement of any of its electrical elements (safety switch, "OFF" button, etc.), the green lights will go out and the orange light will start to flash.

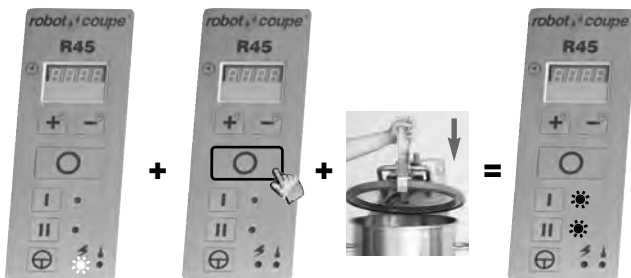
To quit standby:



- Extended standby

If the machine is left powered up but unused for more than 2 hours, without any movement of any of its electrical elements (safety switch, "OFF" button, etc.), the green lights will go out and the orange light will start to flash.

To quit extended standby:



• SAFETY INDICATOR LIGHTS:

For the dual-speed models:

Two green lights indicate that the machine is ready to use.

For the variable-speed R 30 V.V. and R 45 V.V. models:

One green light indicates that the machine is ready to use in the direction that is indicated.

For all models:

- **Orange light:** the machine is powered up, but the safety criteria have not all been met. The screen will display a troubleshooting message (see table on page 41).
- **No lights:** the machine is either not powered up, has the wrong power supply, or has broken down.
- **Red light:**

- 1 The machine's motor has reached a temperature of 120 °C. The motor will shortly cut out. This light allows you to anticipate the machine switching itself off in the middle of a processing task.



Wait for the red light to go out before embarking on a fresh task.

- 2 The red and orange lights will remain on until the motor has cooled down. You must wait until the red and orange lights have gone out and the green light has come on before switching the machine back on.



PRECAUTIONS FOR USE

• EMPTYING THE BOWL



1) Open the lid by freeing the locking handle. Release the tilting lever by raising it.



2) Then tilt the bowl to your left, keeping hold of the handle on the right.



3) Empty the bowl once it is in the tilted position. It is advisable to remove the blade assembly before tilting the bowl, especially when processing liquid preparations.

• **BLIXER® BLADE ASSEMBLY**

In order to ensure **perfect cutting results**, Robot-Coupe has developed **new, patented blade profiles**, designed to provide an optimum cutting quality.

These blades - also available with serrated edges - are perfectly balanced to avoid vibration.



Fine serrated edge for all blending tasks and smooth or fine-textured preparations.

Serrated 2-blade assembly supplied as standard.



To achieve optimum results, it is important to adjust the distance between the blades and respect the maximum processing amounts (see table).

• **VERTICAL CUTTER-MIXER BLADES**

In order to ensure **perfect cutting results**, Robot-Coupe has developed **new, patented blade profiles**, designed to provide an optimum cutting quality.

These blades, which are perfectly balanced in order to avoid any vibration, are supplied with **three different types of edge**.



Standard blade

Smooth edge for emulsions, mousses and finely-chopped meat and vegetables.



Optional blades :

Fine serrated edge for all blending tasks and smooth or fine-textured preparations.



Coarse serrated edge for cake-making (grinding almonds and hazelnuts, making icing sugar), for frozen goods and all hard foodstuffs.



Smooth, “**crescent-shaped**” 3-blade assembly, supplied as a **standard attachment**.

Distinctive feature : the “crescent” blades make it easier to **mix and bind ingredients**.

A 2-blade assembly is used for processing small quantities or liquid preparations. The 3-blade assembly is used for maximum capacities with dry ingredients.

To obtain the best results, it is important to set the right spacing between the blades. Do not exceed maximum processing capacities (see following table).

MAXIMUM PROCESSING CAPACITIES

• **BLIXER®**

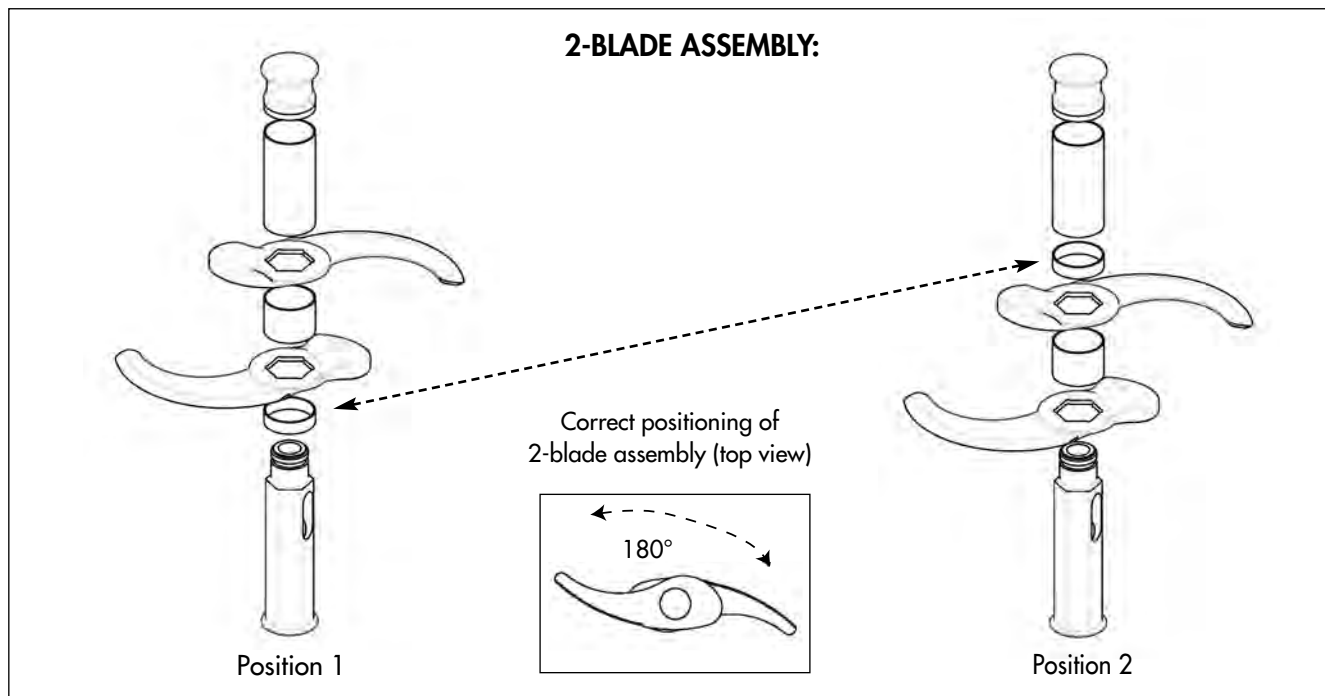
	Blixer®			
	23	30	45	60
Maximum processing capacities	4 to 15 Kg	4 to 20 Kg	6 to 30 Kg	6 to 45 Kg
Liquid in 1 st speed	16	20	30	40

• **VERTICAL CUTTER-MIXER**

TYPE OF PREPARATION	R 23	R 30	R 45	R 60
Coarse chopping	10 kg	12 kg	18 kg	25 kg
Emulsion	11 kg	14 kg	24 kg	30 kg
Kneading (in kg of flour)	7 kg	8 kg	12 kg	18 kg
Grinding	5 kg	6 kg	9 kg	12 kg

FITTING AND USING THE BLADE ASSEMBLY

• BLIXER® ONLY



POSITION 1 : With spacer between lower blade and blade shaft.

FITTING :

- Fit the blades and spacers so that they are the right distance apart, according to the:
 - type
 - weight and
 - volume of the foodstuffs to be processed.

POSITION 2 : No spacer between lower blade and blade shaft.

- For **fine chopping and emulsions.**

DISMANTLING :

- Unscrew the screw nut
- Remove the spacers.



Screw nut



Wide spacer



Blade shaft



Locking spacer



Narrow spacer

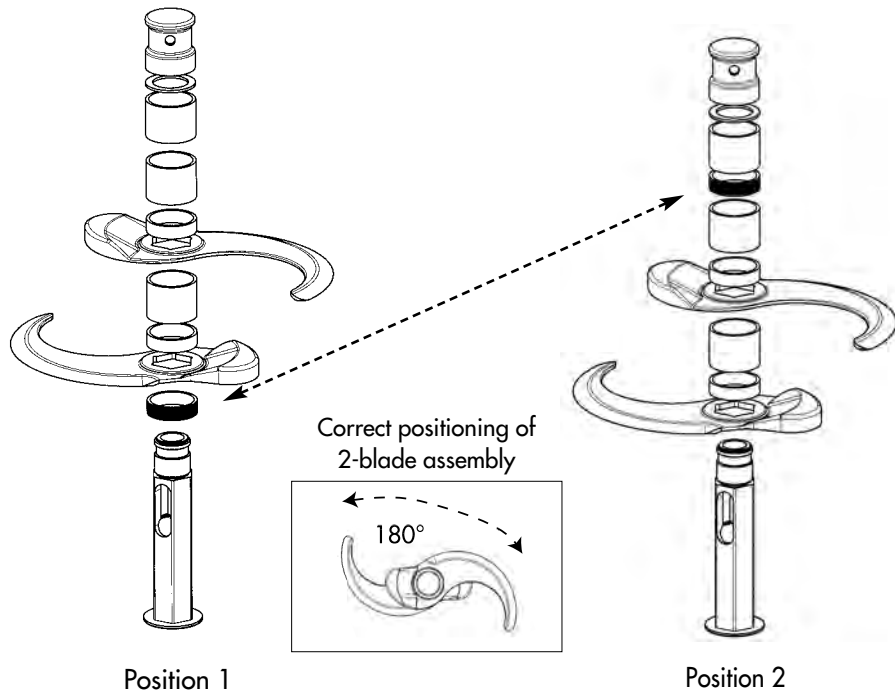


Blade

• **VERTICAL CUTTER-MIXER ONLY**

2-BLADE ASSEMBLY :

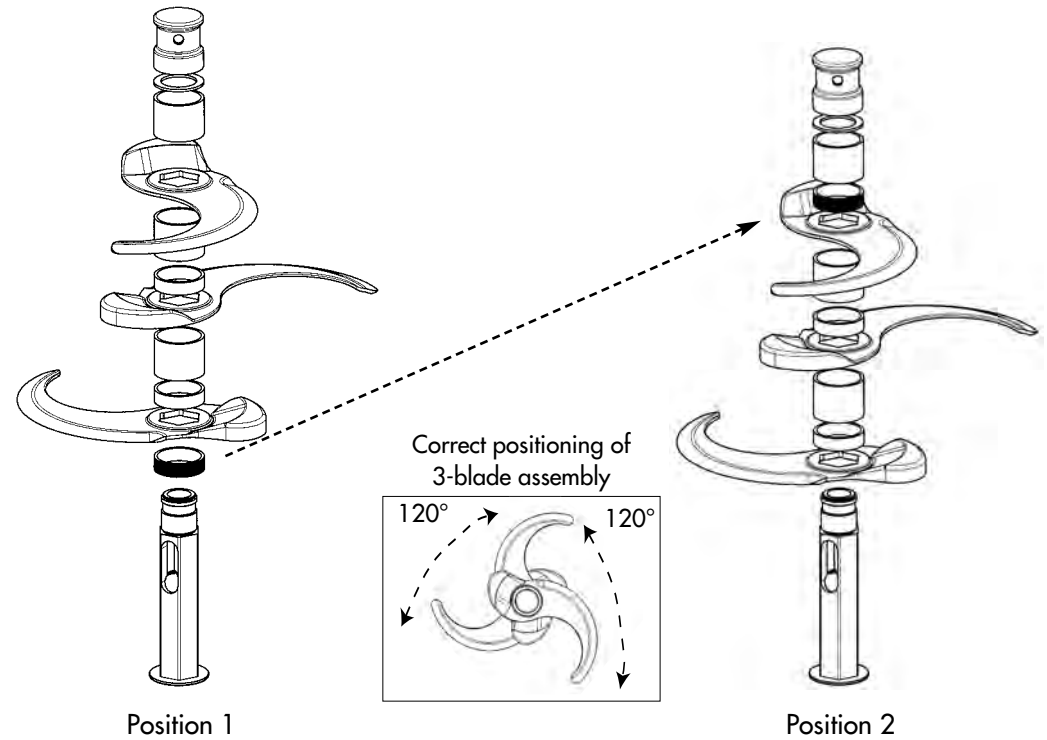
We recommend you use the 2-blade assembly for processing small quantities of up to half the maximum limit indicated (see page 33), with the exception of liquid or blended preparations.



3-BLADE ASSEMBLY :

We recommend you use the 3-blade assembly for processing large quantities of more than half the maximum limit indicated, with the exception of liquid or blended preparations for which we strongly recommend you use the 2-blade assembly.

To obtain the best possible results with these types of preparation, we recommend you use the lower speed (1500 rpm) only.



POSITION 1 : With spacer between lower blade and blade shaft.

- For **coarse chopping**.

FITTING :

- Fit the blades and spacers so that they are the right distance apart, according to the :
 - type
 - weight and
 - volume of the foodstuffs to be processed.

POSITION 2 :

No spacer between lower blade and blade shaft.

- For **fine chopping and emulsions**.
- For **grinding and kneading**.

DISMANTLING :

- Unscrew the screw nut
- Remove the spacers.



Screw nut



Wide spacer



Narrow spacer



Locking spacer



Blade

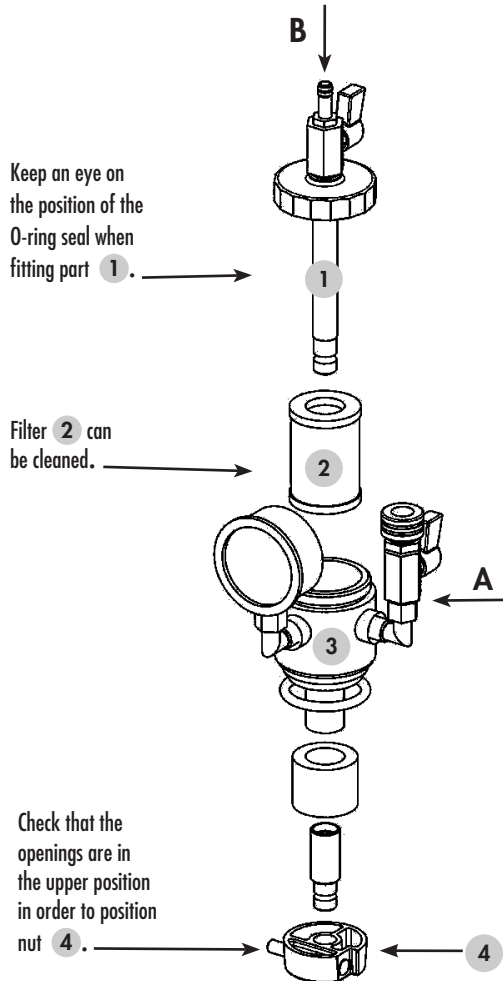


Blade shaft

OPERATING INSTRUCTIONS FOR THE VACUUM KIT R-VAC® - VERTICAL CUTTER-MIXER ONLY

1° ASSEMBLING THE VACUUM KIT R-VAC®

- Insert filter 2 into body 3
- Screw the tube 1 onto the body 3 (the tube should pass through the body 3).



2° POSITIONING THE R-VAC® VACUUM KIT ON THE LID

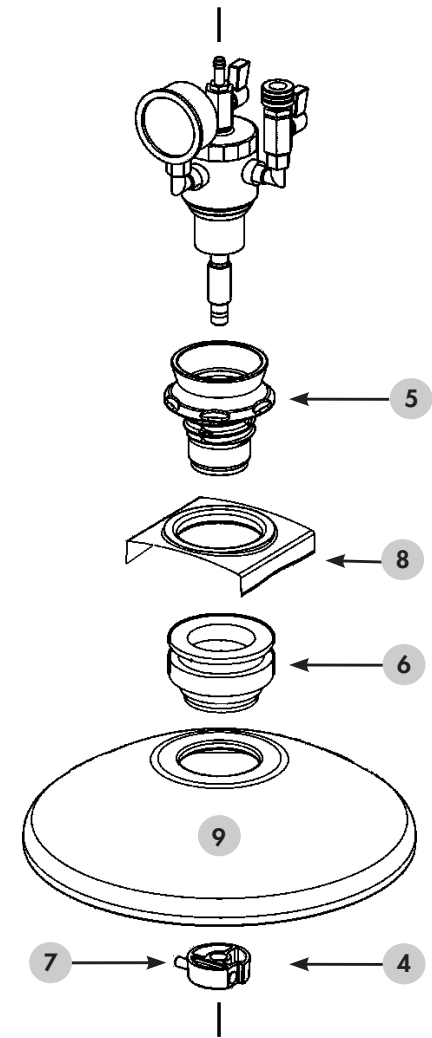
- Sit the R-VAC® kit on top of the plastic cone 5, which should be screwed onto the lid rest 6, with the lid holder 8 in between. The lid (opaque white) 9 slots onto the lid rest 6.

3° CLIPPING ON THE BELL 4

- Take the bell in the hollow of your hand and press the pusher 7 in with your thumb.
- Slot it onto the section of tube 1 protruding from the underside of the lid.
- Release the pusher 7.
- The pusher should return to its initial position. If it does not, gently press on the bell and it will automatically click into place.
- Check that the bell is securely attached to the tube 1.

4° USING THE VACUUM KIT R-VAC®

- Connect up the vacuum pump to valve A, check that the latter is open (lever in shaft of connector).
- Shut valve B (perpendicular lever).



5° ADDING LIQUID TO THE MIXTURE

- Attach a tube to valve B.
- Immerse the other end of this tube in the liquid to be added.
- Open valve B slowly ; once the liquid has been added, shut valve B.



NOTE

Preheat the vacuum pump (approx. 15 minutes) to check that both it and the vacuum kit are working properly. Similarly, leave the pump running for 15 minutes after completing the task in order to evacuate the condensation.

VERTICAL CUTTER MIXER OPTIONS

• COARSE SERRATED BLADES



The blade shaft can be fitted with serrated blades, which are used mainly for:

- kneading (shortcrust pastry, flan pastry, almond paste, praline, etc.).
- grinding (frozen foods, shellfish, almonds, etc.).

• FINE SERRATED BLADES

The blade shaft can also be fitted with micro-toothed blades, which are used mainly for chopping herbs (e.g. parsley) and blending.



• WHEELS



Your cutter can be supplied with 3 retractable wheels (exclusive to ROBOT-COUPÉ) which can be lowered or raised simply by lifting each leg. This makes it easy to move the machine around and thereby facilitates the cleaning of the working surfaces.

• R-VAC® VACUUM KIT

Your machine can be equipped with a vacuum kit. Vacuum processing gives incomparable results for all types of preparations, ranging from fish mousses, fine-textured stuffings and vegetable terrines to foie gras and ganache.

Make sure you always use the opaque white lid with the vacuum kit.



EXAMPLES OF USE

• VERTICAL CUTTER-MIXER

The cutter will enable you to perform all your cutting tasks in minimum time. We recommend therefore, that you keep a close eye on the mixture in order to obtain the desired results.

USES	R 23 (kg)	R 30 R 30 V.V. (kg)	R 45 R 45 V.V. (kg)	R 60 (kg)
CHOPPING				
• MEAT				
Minced beef	10	12	18	25
Sausage meat / tomato stuffing	10	12	18	25
Terrine / saucisson	12	14	22	30
White pudding / liver mousse*	13	16	24	33
Smooth-textured mixtures (frankfurters)	8	10	14	18
• FISH				
Puréed fish*	13	16	24	33
Fish stuffings*	13	16	24	33
• VEGETABLES				
Garlic / parsley / onion / shallots	half bowl volume			
Soup / vegetable purées*	17	21	32	44
• FRUIT				
Compotes / fruit purées	13	16	24	33
EMULSIFYING				
Mayonnaise / aioli / taramasalata	13	16	24	33
Rémoulade sauce	13	16	24	33
Snail / salmon butter	8	10	16	27
KNEADING				
Shortcrust / biscuit pastry	6	8	12	18
Flaky pastry	6	8	12	18
Pizza / bread dough	6	8	12	18
Brioche dough	5	6	9.5	12

USES	R 23 (kg)	R 30 R 30 V.V. (kg)	R 45 R 45 V.V. (kg)	R 60 (kg)
	GRINDING			
Almond paste	6	8	12	17
Praline	11	14	20	28
Seafood / crushed ice	5	6	9	12
Breadcrumbs	6	7	11	15
BLENDING				
Liquid preparations*	16	20	30	40

* In first speed only

The vertical cutter-mixer has numerous other applications. The above quantities are given for guidance only and may vary according to the quality of ingredients or the recipe.

• BLIXER®

The Blixer will enable you to perform all your cutting tasks in minimum time. We recommend therefore, that you keep a close eye on the mixture in order to obtain the desired results.

HOSPITAL USES

SPOON FEEDING

- Minced foods: meat, fish etc.
- Mousses: vegetables, fish etc.
- Vegetable purees
- Compotes of stewed fruit

SEMI-LIQUID FEEDING

This simply entails diluting spoon-feeding preparations:

- Minced meat + gravy
- Soups / creamed soups
- Puree + liquid (broth, milk. etc.)
- Fruit compotes + syrup or water

LIQUID FEEDING (for use via tubes)

- Soups and any preparations that can be liquidized.

DELICATESSEN USES

- **Butter mixtures** : snail butter, salmon butter, anchovie butter...
- **Sauces** : green sauce, mayonnaise, remoulade, ailloli, emulsified sauces with tomatoes, cream, parsley...
- **Vegetable mousses.**
- **Grinding** : lobster, scampi, seashells...

PHARMACEUTICAL AND CHEMICAL LABORATORY USES

- **Grinding** : herbs, seeds, powders, tablets....
- **Mixing**: homogeneization of creams, ointments, mixed components, varied ingredients...

CLEANING

WARNING

As a precaution, always unplug your appliance before cleaning it (hazard of electrocution) and handle the blades with care (hazard of injury).

• BOWL

Once the bowl is empty, return it to its vertical position, close the lid and run the machine at the 2nd speed (3,000 rpm). This will clear the blades of any food residue. You can also preclean the bowl by pouring in a few litres of hot water, then running the machine for a few minutes at the 2nd speed.

As all the electrical parts are watertight, this machine is extremely easy to clean. It can be washed daily with a hand shower spray (never use a power washer).

If you are not intending to use your appliance for a while, remember not to lock the bowl into position, to avoid unnecessary wear of the seals.

• BLADES

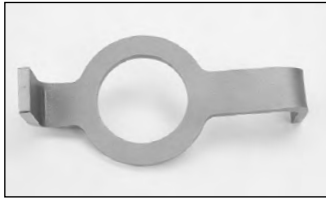
The blade assembly must be taken apart in order to thoroughly clean each part.

IMPORTANT

All the metal parts should be wiped dry, especially, the blades, to avoid oxidation.

These operations are vital for ensuring optimum blade assembly hygiene.

Dismantling the blade assembly



- Lift the blade assembly out of the appliance.
- Remove the bowl.
- Place the blade remover on the motor shaft.

- Put the blade assembly back in position.
- Loosen the screw using the stem.
- Dismantle the blade assembly by hand.
- To reassemble the blades, follow these instructions in the reverse order.
- **Make sure you tighten the screw properly after reassembling the blades, in order to prevent the latter coming loose.**

• LID

For perfect hygiene, remove the washer, cone and lid rest so that they can each be carefully cleaned.

We advise against putting them in the dishwasher. Instead, wash them by hand with a little washing-up liquid.

If you are not intending to use your appliance for a while, leave the lid open to avoid wear and tear of the seals.

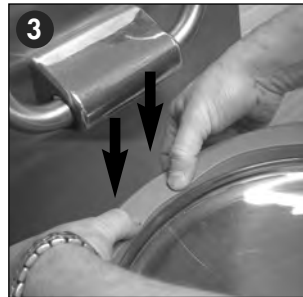
Removing the lid seal



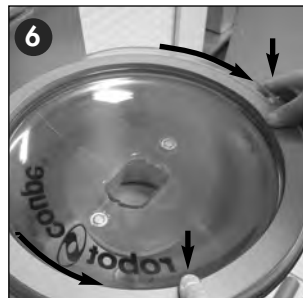
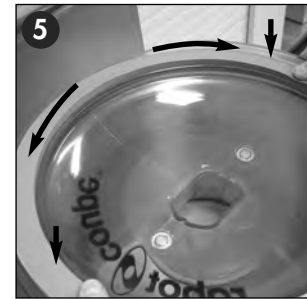
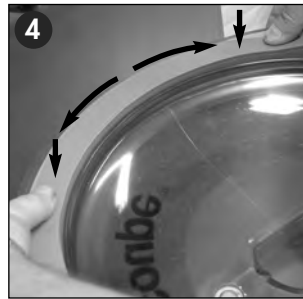
① - Unhook the lid from the arm.



② - Put the lid the wrong way round on the bowl.



③ - Start to set the seal at the hinge side. Hold firmly the seal with the thumb and the index finger and insert it in the lid groove.



④ to ⑦ - Keep inserting the seal progressively on both sides in order to join both hands.



⑧ Clip the lid onto the lid rest and turn it so that the bosses are inside the arm.

! IMPORTANT

Check that your detergent is suitable for cleaning the plastic parts. Certain washing agents are too alkaline (e.g. high levels of caustic soda or ammonia) and totally incompatible with certain types of plastic, causing them to deteriorate rapidly.

MAINTENANCE

• BLADES

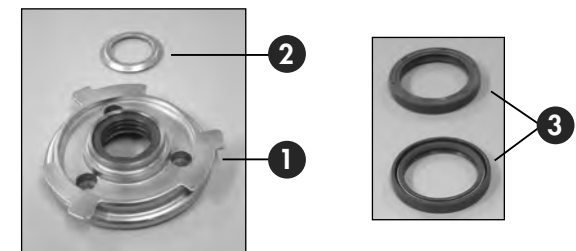
After each task, we strongly recommend you sharpen the blades briefly with a sharpening stone, especially after chopping parsley.

Sharpen them thoroughly once a month with the fine-textured sharpening stone supplied with the appliance.

The quality of the cut depends mainly on the sharpness of your blades and their degree of wear. The blades are wearing parts which should be replaced from time to time, in order to ensure constant quality of the finished product.

• V-RING SEALS

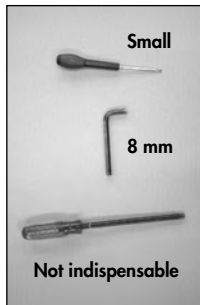
The sealing sleeve comprises a stainless-steel part ①, a stainless-steel deflector fitted with a friction ring ② and 2 lip seals ③.



In order to ensure that the motor remains completely watertight, we recommend checking the lip seals once a quarter for signs of wear and tear, and replacing them every 6 months.

When the seals are worn, liquid may first run into the bearings, then reach the motor. If this happens, the seals, the bearings and even the motor may have to be replaced.

- Replacing the lip seals



1) Tools needed
See kit supplied on delivery.



2) Remove the bowl



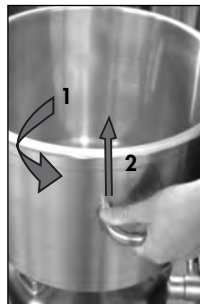
3) Remove the bowl base seal.



4) Unscrew the 3 bolts



5) Remove bolts and washers



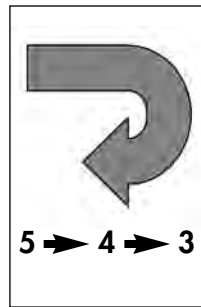
6) Put back the bowl and pull up



7) The stainless-steel part and deflector have now been removed.



8) Replace the two lip seals.



9) 5 to 3 in inverse order



10) Replace the bowl seal, placing it on the chamfer.



11) Place 1 mm thick washer
*Blixer® 45 / Blixer® 60
R 45 / R 60
Only*



12) Push down blade assy, stop when hits motor shaft



13) Remove 1 mm thick washer
*Blixer® 45 / Blixer® 60
R 45 / R 60
Only*



14) Put back the bowl, pouring lip on left hand side

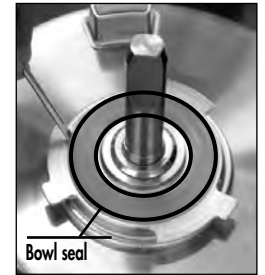


15) It's done !

• BOWL SEAL

The bowl seal, located between the bowl and the bushing, ensures that the bowl remains watertight.

The bowl seal must be regularly oiled, using food-grade silicone lubricant.



This part must be replaced each year, as the watertightness of the bowl depends on its degree of wear and tear.

In order to make it easier for you to clean your appliance, the bowl watertightness system is located on the underside of the bowl.

As a result, a small area here may fill up with foodstuff, though it will empty itself when the bowl is released.

• LID SEAL

The lid is designed to be completely watertight within the limits set out on page 37 (see examples of use). In order to ensure that it remains that way, you may have to change the seal occasionally, depending on how regularly you use your machine.

If you do not use your machine regularly, we recommend that you leave the lid open when it is not in use jobs to preserve all these features.

• BLIXER SCRAPER ARM

The scraper arm is fitted with rubber wipers. These are wearing parts, which therefore need to be replaced from time to time in order to maintain optimum efficiency.

The wipers are easy both to remove and to fit.

DIAGNOSTIC SYSTEM

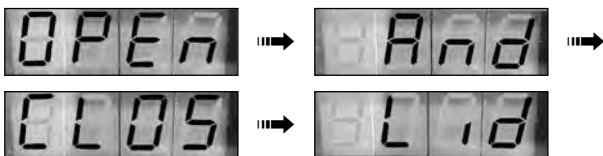
• TROUBLESHOOTING MESSAGES

- « CLOS Lid » message



The appliance is powered up but the lid has been left open. Close the lid.

- « OPEn And CLOS Lid » message



The appliance is powered up and the lid is closed. Open the lid and close it again.

- « PrES StOP » message



The screen will display this message in the following two cases:

- An attempt has been made to start the machine before Stage 3 is completed (see page 31). Wait for the screen to display "0.00", then press the "OFF" button.
- The appliance is powered up but unused, or has been running for more than two hours without the "OFF" button being pressed. Wait for the screen to display "0.00", then press the "OFF" button.

- « iSbC » message



This message indicates that the two lid arm safety switches ("iSbC") are not being detected.

Checks to be made in the following order:

- 1) Check that the lid has been closed properly.
- 2) Check that the two safety switches both move freely when the lid is opened and closed.
- 3) Check (with an ohmmeter) that the contacts of these two safety switches are both closed. Check the relevant wiring.

If the two switches are properly closed and this message remains on the screen, either get the control board checked over or have it replaced.

- « iSCO » message



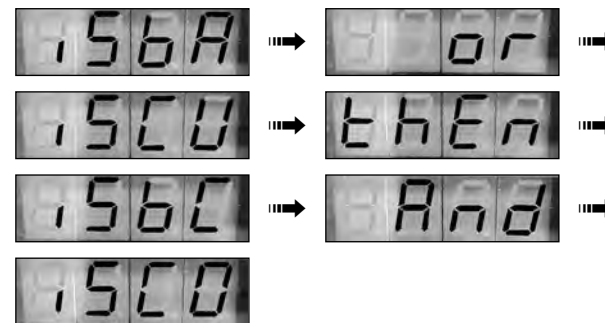
The lid's magnetic safety switch ("iSCO") is not being detected.

Checks to be carried out in the following order:

- 1) Check that the lid and, more specifically, its magnet, are correctly positioned.
- 2) Check (with an ohmmeter) that the safety switch's contact is closed. Check the relevant wiring. If necessary, remove the lid and place a sufficiently powerful magnet next to the magnetic switch.

If the switch is properly closed but this message remains on the screen, either get the control board checked over or have it replaced.

- « iSbA » « or » « iSCU » « thEn » « iSbC » « And » « iSCO » message



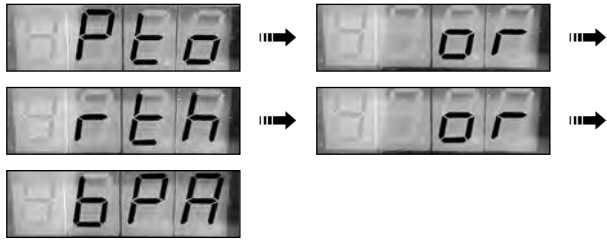
Either the tilt safety switch ("iSbA") or the magnetic bowl safety switch ("iSCU") is not being detected.

Checks to be made in the following order:

- 1) Check that the bowl has resumed its vertical position
- 2) Check that the bowl is properly locked at the right angle
- 3) Check (with an ohmmeter) that the contact of the tilt switch is closed and check the relevant wiring.
- 4) Check (with an ohmmeter) that the bowl presence switch's contact is closed. If necessary, remove the bowl and place a sufficiently powerful magnet close to the magnetic switch. Check the relevant wiring
- 5) If the tilt and bowl switches are both closed, carry out the checks described above for the "iSbC" and "iSCO" messages.

If all four tilt, bowl, lid arm and lid switches are closed but this message remains on the screen, either get the control board checked over or have it replaced.

- « Pto » « or » « rth » « or » « bPA » message



The motor's thermal protector ("Pto"), the thermal relay ("rth") contact or the "OFF" button ("bPA") contact is open.

Checks to be carried out in the following order

Situation n°1:

The message appears on the screen as soon as the machine is powered up.

- 1) Check that the thermal relay wire is correctly positioned to the right of the control board. See electrical diagram.
- 2) Check that the thermal relay has not be triggered and that it is adjusted to reset automatically.
- 3) Check (with an ohmmeter) that the thermal protector is closed. Check the relevant wiring.
- 4) Check (with an ohmmeter) that the thermal relay's contact is closed. Check the relevant wiring.
- 5) Check that the "OFF" button is not stuck in the open position. Move the button and listen out for the characteristic "click".

Situation n°2:

- The message appears when the motor is very hot (orange indicator light on).
The "OFF" button is open: wait ten or so minutes for the motor to cool down (the orange light will go out) before trying to start the machine up again.
- The machine has been subjected to very intensive use.

The thermal relay is open: wait a couple of minutes for the thermal relay to reset and reduce the load placed on the motor before trying to switch it back on.

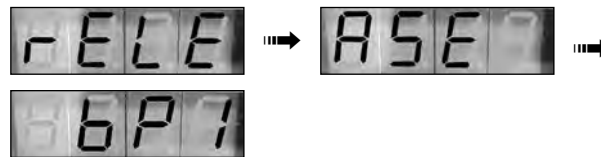
Situation n°3:

The message appears even though the motor is not hot and the machine has not been subjected to intensive use:

- 1) Check that the "OFF" button is not stuck in the open position. Move the button and listen out for the characteristic "click".
- 2) Check (with an ohmmeter) that the thermal protector is closed. Check the relevant wiring.
- 3) Check (with an ohmmeter) that the contact of the thermal relay is closed. Check the relevant wiring.

If the message persists, even though the thermal protector and the thermal relay are closed, the "OFF" button is moving freely and the wiring is in accordance with the electrical diagram, either get the control board and timer board checked over or have them replaced.

- « rLEASE bP1 » message

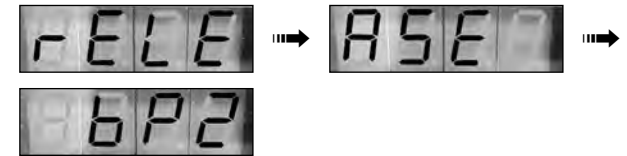


The contact of the 1st speed "ON" button ("bP1") remains closed.

Either release the button or check that it is not stuck. Move the button and listen out for the characteristic "click".

If the 1st speed "ON" button is working properly but the message remains on the screen, either get the control board checked over or have it replaced.

- « rLEASE bP2 » message

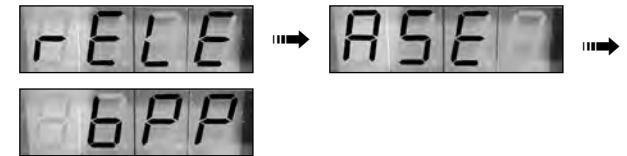


The contact of the 2nd speed "ON" button ("bP2") remains closed.

Carry out the checks recommended for the 1st speed "ON" button.

If the 2nd speed "ON" button is working properly but the message remains on the screen, either get the control board checked over or have it replaced.

- « rLEASE bPP » message



The contact of the "Pulse control" button ("bPP") remains closed.

Carry out the checks recommended for the 1st speed "ON" button.

If the "pulse control" button is working properly but this message remains on the screen, either get the control board checked over or have it replaced

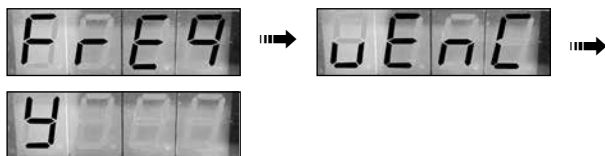
- « not u.u. » message



The control board is not correctly configured.

Position the JP1, JP2 and JP3 jumpers according to the machine's electrical diagram.

- « FrEquEnCY » message



The control board cannot determine the frequency of the mains supply.

Unplug the machine and wait for 5 minutes before plugging it back in.

If this message remains on the screen, either get the control board checked over or have it replaced.

TECHNICAL SPECIFICATIONS

In order to obtain good results when mincing meat, grinding and kneading, we recommend you fill the bowl no more than half-full.

• BOWL CAPACITIES

R 23 / Blixer® 23 : 23 litres

R 30 / Blixer® 30 : 28 litres

R 45 / Blixer® 45 : 45 litres

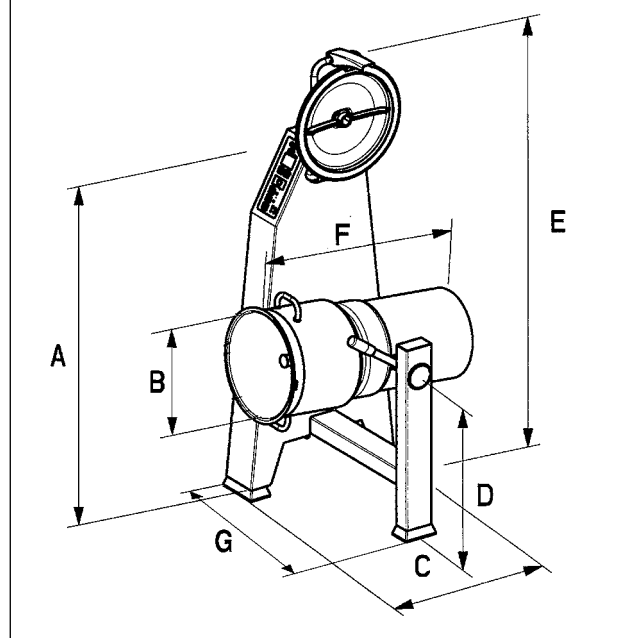
R 60 / Blixer® 60 : 60 litres

• WEIGHT

	Net	Gross
R 23/R 30 Blixer® 23/Blixer® 30 :	110 kg	131 kg
R 45 Blixer® 45 :	138 kg	165 kg
R 60 Blixer® 60 :	150 kg	177 kg

• DIMENSIONS (in mm)

	R 23 Blixer® 23	R 30 Blixer® 30	R 45 Blixer® 45	R 60 Blixer® 60
A	1250	1250	1400	1400
B	320	360	400	450
C	600	600	600	600
D	590	590	640	640
E	1620	1620	1800	1820
F	800	800	870	870
G	700	720	760	810



• WORKING HEIGHT

Make sure your appliance is installed on a stable work surface. There is no recommended working height, given that this is a floorstanding appliance.

• NOISE LEVEL

The equivalent continuous sound pressure level when running these appliances empty is less than 70 dB (A).

• ELECTRICAL DATA

Three-phase machine.

Model	Motor	Speed (rpm)	Nominal current (Amp)	Motor switch-on circuit * breaker + recommended differential - (Amp)
-------	-------	-------------	-----------------------	--

Blixer® 23 R 23 4500 W	400 V/50 Hz/3	1500 3000	8.5 10.5	20
	220 V/60 Hz/3	1800 3600	16.0 18.2	40
	380 V/60 Hz/3	1500 3000	8.8 10.5	20
	230 V/50 Hz/3	1500 3000	14.7 18.2	40
Blixer® 30 R 30 5400 W	400 V/50 Hz/3	1500 3000	8.5 10.5	20
	220 V/60 Hz/3	1800 3600	16.0 18.2	40
	380 V/60 Hz/3	1500 3000	8.8 10.5	20
	230 V/50 Hz/3	1500 3000	14.7 18.2	40
R 30 V.V. 5400 W	400 V/50 Hz/3	300 3000	12	20
Blixer® 45 R 45 10000 W	400 V/50 Hz/3	1500 3000	14.7 19.8	40
	220 V/60 Hz/3	1800 3600	35 27	63
	380 V/60 Hz/3	1500 3000	15.4 20.6	40
	230 V/50 Hz/3	1500 3000	24.5 35.0	63
R 45 V.V. 10000 W	400 V/50 Hz/3	300 3000	21	32

Model	Motor	Speed (rpm)	Nominal current (Amp)	Motor switch-on circuit * breaker + recommended differential - (Amp)
Blixer® 60 R 60 11000 W	400 V/50 Hz/3	1500 3000	16.1 26.0	50
	220 V/60 Hz/3	1800 3600	32.5 45.0	63
	380 V/60 Hz/3	1500 3000	16.1 23.8	50
	230 V/50 Hz/3	1500 3000	27.7 44.8	63

* See note.

- Power shown on data plate.



* NOTE

When the appliance is switched on, the current is several times greater than the nominal current.

“The switch-on current of appliances must be taken into account when determining the cross-section of the conductors and choosing the systems that protect against excess current, in order to avoid excessive voltage drops during the switch-on period and the untimely triggering of the protective device.”

We advise you to use a protective device specific to the switching-on of asynchronous motors. See recommended size in the table above. In every case, you must comply with the legislation currently in force.

SAFETY

These appliances are fitted with an **electromechanical safety device and a motor braking system** (blades halted in under 2 seconds by the electric motor brake).

Moreover, the machine will only start if the bowl is correctly positioned on the motor unit.

However, we recommend that you stop the motor before opening the lid, especially when liquid preparations are involved, in order to avoid splashing (before opening the lid, wait a few seconds).

These models are also fitted with a **thermal protection system**, with automatic reset, which stops the motor if it is left on for too long or overloaded. These models are also fitted with a thermal alarm (the red light comes on) warning the user that the appliance is about to stop.

If this happens, wait until the appliance has cooled down before switching it back on (the orange light will go out and the green lights will come on again).



REMEMBER

Never try to override the locking and safety systems.

Never insert an object into the container where the food is being processed.

Never push the ingredients down with your hand.

Do not overload the appliance.

Never switch the appliance on when it is empty.



WARNING

The blades are extremely sharp.
Handle with care.

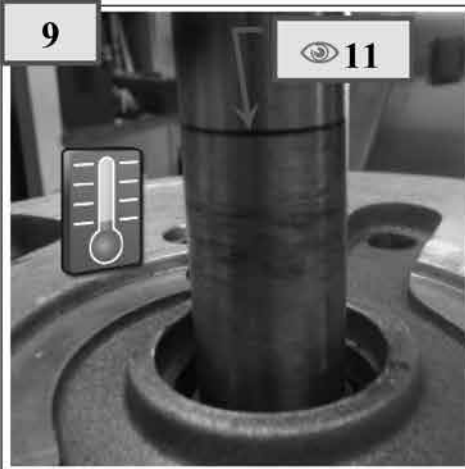
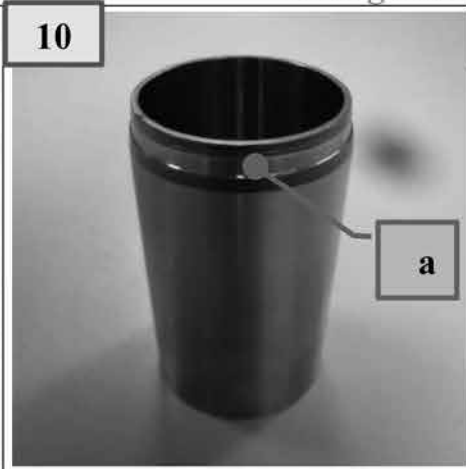

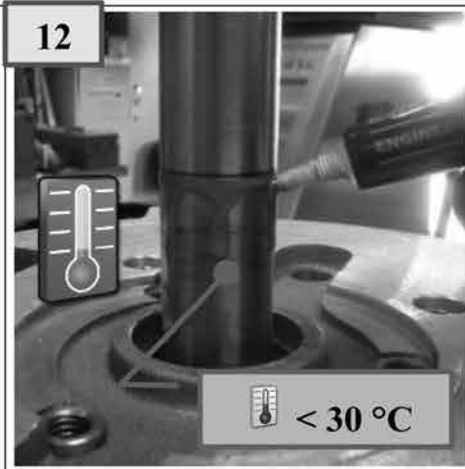
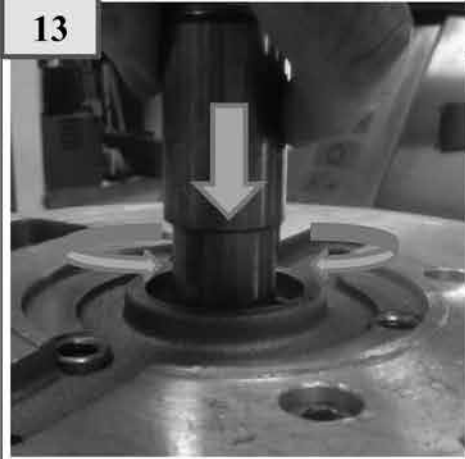
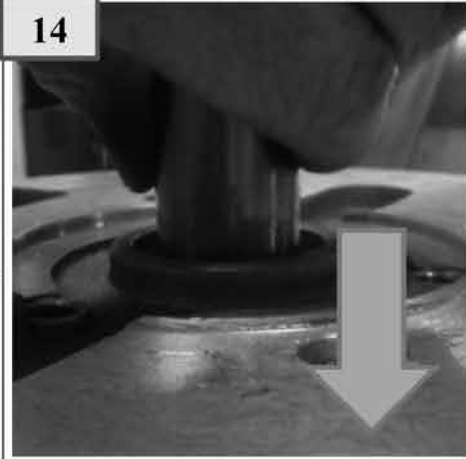
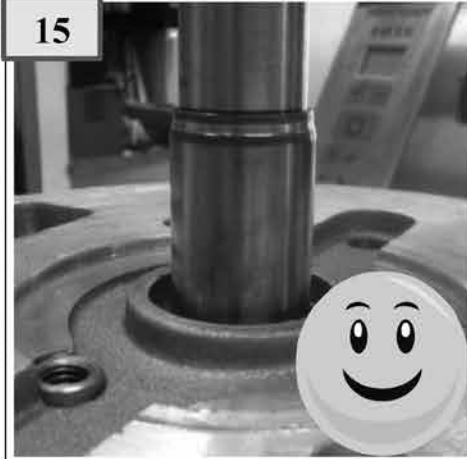
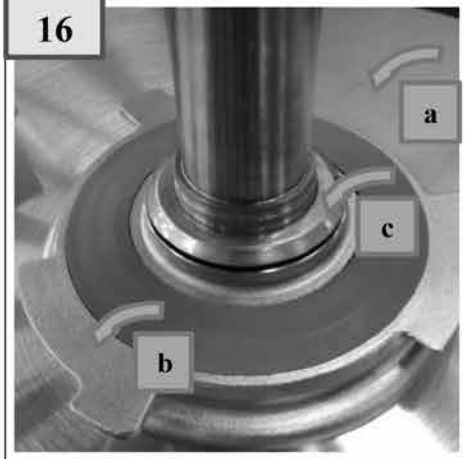
STANDARDS

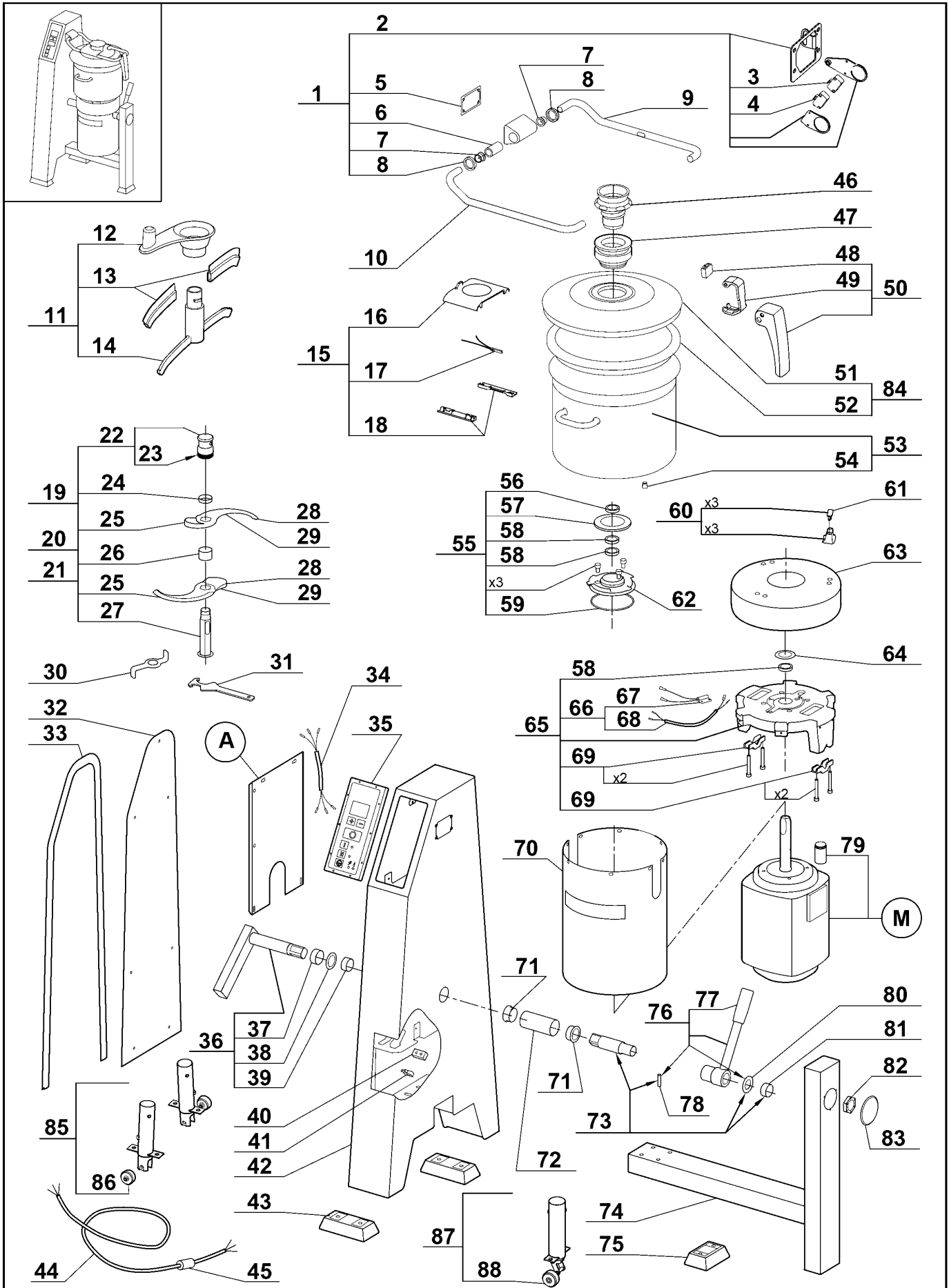
Consult the declaration of compliance on page 3.

VCM – R23 – Blixer®60 Motor Sleeve Replacement Changement de douille moteur

	 <p style="text-align: center;">Not removable Non amovible</p>	 <p style="text-align: center;">Removable Amovible</p>	
<p>Check point 2 or 3? If sleeve is removable then remove a) sealing socket and b) motor cover. Voir point 2 ou 3 ? Si la douille est amovible, retirer a) la douille porte joint et b) le capot moteur supérieur.</p>	<p>Old motors without any groove in the chamfer cannot be repaired. Please contact your sale representative. Les anciens moteurs sans gorge dans le chanfrein ne peuvent pas être réparés.</p>	<p>Only motor with a grooved chamfer can be repaired. Seuls les moteurs avec une gorge dans le chanfrein peuvent être réparés. Dans le cas contraire, merci de contacter votre revendeur.</p>	<p>You need an adjustable spanner, a plug spanner, a stripper or a blowlamp. Vous aurez besoin d'une clé à molette, d'une clé à griffe, d'un décapeur ou d'un chalumeau.</p>
 <p style="text-align: center;">  > 250 °C  > 15 mn </p>			
<p>Remove lip seal. Heat the old sleeve: turn the motor shaft to get homogeneous temperature. Démonter le joint à lèvres. Chauffer la douille en tournant régulièrement l'arbre moteur pour que la chauffe soit homogène</p>	<p>Remove the old sleeve by turning the motor shaft alternatively and pull it upward. Extraite la douille en tournant l'axe alternativement et en tirant la douille vers le haut.</p>	<p>Continue to pull it upward till it is completely remove. Continuer jusqu'à extraction complète.</p>	<p>Burned glue residues on sleeve area must be removed. Des restes de colle brûlée sont présents sur la zone de la douille.</p>

VCM – R23 – Blixer®60
Motor Sleeve Replacement
Changement de douille moteur

<p>9</p>  <p>11</p>	<p>10</p>  <p>a</p>	<p>11</p> 	<p>12</p>  <p>< 30 °C</p>
<p>Once the motor shaft is cleaned, check that the sleeve could be easily placed and touch the shoulder. Quand l'arbre est nettoyé, vérifier que la douille se monte facilement jusqu'à l'appui.</p>	<p>Replacement sleeve is supplied with glue and get a groove (a) to identify the upper side. La douille de remplacement est fournie avec la colle et comporte une gorge de repérage (a) qui indique le haut de la pièce.</p>	<p>The next step could be made easier by marking upper glue limit (see note 11 step 9). La limite haute de la zone de collage peut être tracée afin de faciliter l'étape suivante.</p>	<p>Glue the motor shaft using the drawn line. Be careful, the glue could be liquid. Encoller l'arbre moteur en utilisant la ligne tracée comme repère supérieur. Attention, la colle peut être liquide.</p>
<p>13</p> 	<p>14</p> 	<p>15</p> 	<p>16</p>  <p>a b c</p>
<p>Place the new sleeve using alternative movements to completely glue both parts. Monter la douille en produisant des mouvements alternatifs afin d'encoller les 2 pièces.</p>	<p>Check that the sleeve is well placed against the lower shaft shoulder (completely down). Contrôler que la douille est bien en appui sur l'épaulement de l'arbre moteur (descendue à fond).</p>	<p>Ready for new hours of work. Prêt pour de nouvelles heures de fonctionnement.</p>	<p>Place new lip seal and deflector, a) secure motor cover, b) sealing socket then c) place a new shaft seal. Remonter les joints, a) le capot, b) la douille porte joint puis c) un nouveau joint facial.</p>



<i>Index</i>	<i>Pièce / Part</i>	<i>Désignation</i>	<i>Description</i>
1	59 128	ENSEMBLE CHARNIERE SECURITE BRAS	HINGE ARM ASSEMBLY
2	59 273	ENSEMBLE SECURITE BRAS	LID ARM SAFETY ASSEMBLY
3	501 258S	INTERRUPTEUR SECURITE NORMALEMENT FERME	NORMALLY CLOSED SAFETY SWITCH
4	507 250S	INTERRUPTEUR SECURITE NORMALEMENT OUVERT	NORMALLY OPENED SAFETY SWITCH
5	118 255S	JOINT PLAT DE CHARNIERE	HINGE FLAT SEAL
6	105 912S	CAME INTERRUPTEURS SECURITE	SAFETY SWITCHES CAM
7	118 126S	DOUILLE DE GUIDAGE	BUSHING
8	501 424S	BAGUE ETANCHEITE 20x30x7	SEALING RING 20x30x7
9	119 204S	TUBE DROIT	RIGHT LID TUBE
10	119 205S	TUBE GAUCHE	LEFT LID TUBE
11	59 501	ENSEMBLE ESSUIE COUVERCLE	LID WIPER ASSEMBLY
12	59 395	POIGNEE RACLEUR	BLIXER ARM HANDLE
13	59 502	RACLEURS SOUPLES COUVERCLE (Qté = 2)	LID SOFT WIPER (Qty = 2).
14	59 503	SUPPORT ESSUIE COUVERCLE	LID WIPER SUPPORT
15	59 505	ENSEMBLE SUPPORT COUVERCLE	LID SUPPORT ASSEMBLY
16	59 504	SUPPORT COUVERCLE	LID SUPPORT
17	118 132S	INTERRUPTEUR SECURITE COUVERCLE	LID SAFETY SWITCH
18	59 131	ENSEMBLE PINCES BRAS	ARM CLIPS ASSEMBLY
19	57 069	COUTEAU LISSE	STRAIGHT BLADE ASSEMBLY
20	57 070	COUTEAU CRANTE	COARSE SERRATED BLADE ASSEMBLY
21	57 072	COUTEAU DENTE	FINE SERRATED BLADE ASSEMBLY
22	105 904S	ECROU COUTEAU AVEC BAGUE PLASTIQUE	BLADE LOCKING NUT WITH PLASTIC WASHER
23	105 906S	RONDELLE PLASTIQUE INTEGREE	INTEGRATED PLASTIC WASHER
24	118 201S	BAGUE COUTEAU 10 mm	BLADE SPACER 10 mm
25	118 217S	LAME LISSE	STRAIGHT BLADE
26	118 200S	BAGUE COUTEAU 32 mm	BLADE SPACER 32 mm
27	117 930S	SUPPORT COUTEAU	BLADE SUPPORT
28	118 292S	LAME DENTEE	FINE SERRATED BLADE
29	118 294S	LAME CRANTE	COARSE SERRATED BLADE
30	118 268S	DEMONTE COUTEAU	BLADE DISMANTLING DEVICE
31	119 200S	CLEF DEMONTE COUTEAU	BLADE DISMANTLING WRENCH
32	117 935S	FACE ARRIERE	CASING ACCESS DOOR
33	118 256S	JOINT FACE ARRIERE	CASING ACCESS DOOR SEAL
34	118 127S	FAISCEAU INTERRUPTEUR SECURITE BRAS	LID ARM SAFETY SWITCH HARNESS
35	59 157	ENSEMBLE CLAVIER	CONTROL PANEL ASSEMBLY
36	59 156	ENSEMBLE AXE ARRIERE	BACK TILTING PIVOT ASSEMBLY
37	118 146S	ENTRETOISE AXE ARRIERE	BACK TILTING PIVOT SPACER
38	118 147S	RONDELLE APPUI ARRIERE	BACK THRUST WASHER
39	118 148S	DOUILLE PALIER ARRIERE	BACK BEARING BUSH
40	117 959S	BUTEE BASCULEMENT	TILTING STOP
41	507 250S	INTERRUPTEUR SECURITE BASCULEMENT	TILTING SAFETY SWITCH
42	117 934S	CAISSON	CASING
43	118 186S	PIED ARRIERE	CASING FOOT
44	502 686S	CABLE	POWER CORD
45	515 515S	PASSE FIL	POWER CORD PROTECTOR
46	59 313	CONE DE COUVERCLE	LID FUNNEL
47	59 318	APPUI DE COUVERCLE	LID GUIDE
48	119 259S	BUTEE DE CROCHET	LID LATCH RUBBER STOP
49	119 267S	CROCHET	LID LATCH
50	59 272	ENSEMBLE POIGNEE	HANDLE ASSEMBLY
51	59 517	COUVERCLE	LID
52	119 263S	JOINT DE COUVERCLE	LID SEAL
53	59 155	ENSEMBLE CUVE	BOWL ASSEMBLY
54	118 171S	BOUCHON SECURITE	SAFETY PLUG
55	59 221	ENSEMBLE JOINTS D'ARBRE	SHAFT SEALS ASSEMBLY
56	507 168S	JOINT FACIAL	FACIAL SHAFT SEAL

Index	Pièce / Part	Désignation	Description
57	118 153S	JOINT FOND DE CUVE	BOWL SEAL
58	501 105S	BAGUE A LEVRES 30x40x7	SHAFT SEAL 30x40x7
59	507 050S	JOINT TORIQUE 120x3,5 mm	O-RING 120x3.5 mm
60	59 165	ENSEMBLE APPUIS DE CUVE (Qté = 3)	BOWL SUPPORTS ASSEMBLY (Qty = 3)
61	118 595S	APPUI CUVE PLASTIQUE	PLASTIC BOWL SUPPORT
62	117 922S	DOUILLE PORTE JOINTS	SEALS SOCKET
63	118 151S	JUPE HAUTE	UPPER MOTOR COVER
64	118 155S	DEFLECTEUR MOTEUR	MOTOR DEFLECTOR
65	59 197	ENSEMBLE SUPPORT MOTEUR	MOTOR SUPPORT ASSEMBLY
66	118 157S	ENSEMBLE INTERRUPTEUR SECURITE CUVE	BOWL SAFETY SWITCH ASSEMBLY
67	119 199S	INTERRUPTEUR SECURITE CUVE	BOWL SAFETY SWITCH
68	119 194S	FAISCEAU INTERRUPTEUR SECURITE CUVE	BOWL SAFETY SWITCH HARNESS
69	59 223	ENSEMBLE CAVALIER AXE BASCULEMENT	TILTING PIVOT STAPLE ASSEMBLY
70	118 296S	JUPE BASSE	LOWER MOTOR COVER
71	118 150S	DOUILLE MANCHON	SLEEVE BUSH
72	118 156S	MANCHON 87 mm	SLEEVE 87 mm
73	59 137	ENSEMBLE AXE AVANT	FRONT TILTING PIVOT ASSEMBLY
74	118 189S	PIETEMENT	STAND
75	117 958S	PIED AVANT	FRONT FOOT
76	59 138	ENSEMBLE LEVIER DE SERRAGE	LOCKING LEVER ASSEMBLY
77	118 142S	POIGNEE DE BASCULEMENT	TILTING HANDLE
78	208 582S	GOUPILLE AXE DE BASCULEMENT	TILTING SHAFT PIN
79	59 439	KIT BAGUE MOTEUR	MOTOR SLEEVE KIT
80	118 143S	RONDELLE D'APPUI AVANT	FRONT THRUST WASHER
81	118 144S	DOUILLE PALIER AVANT	FRONT BEARING BUSH
82	118 166S	ECROU REGLAGE BASCULEMENT	TILTING ADJUSTING NUT
83	117 956S	BOUCHON	COVER
84	59 493	ENSEMBLE COUVERCLE ET JOINT	LID AND GASKET ASSEMBLY
85	59 204	ENSEMBLE ROULETTE AR (NM)	REAR CASTOR ASSEMBLY (NM)
86	59 210	ENSEMBLE ROULETTE AR SEULE (NM)	SLANTED CASTOR ASSEMBLY (NM)
87	59 203	ENSEMBLE ROULETTE AV (NM)	FRONT CASTOR ASSEMBLY (NM)
88	59 209	ENSEMBLE ROULETTE AV SEULE (NM)	STRAIGHT CASTOR ASSEMBLY (NM)

Index	Désignation	Description
A	PLATINE DE PUISSANCE	POWER CONTROL BOARD
M	MOTEUR	MOTOR

Machine	Voltage	A	M
51 331	400/50/3	117 987	303 062S
51 334	380/60/3		
51 337	440/60/3		303 130S

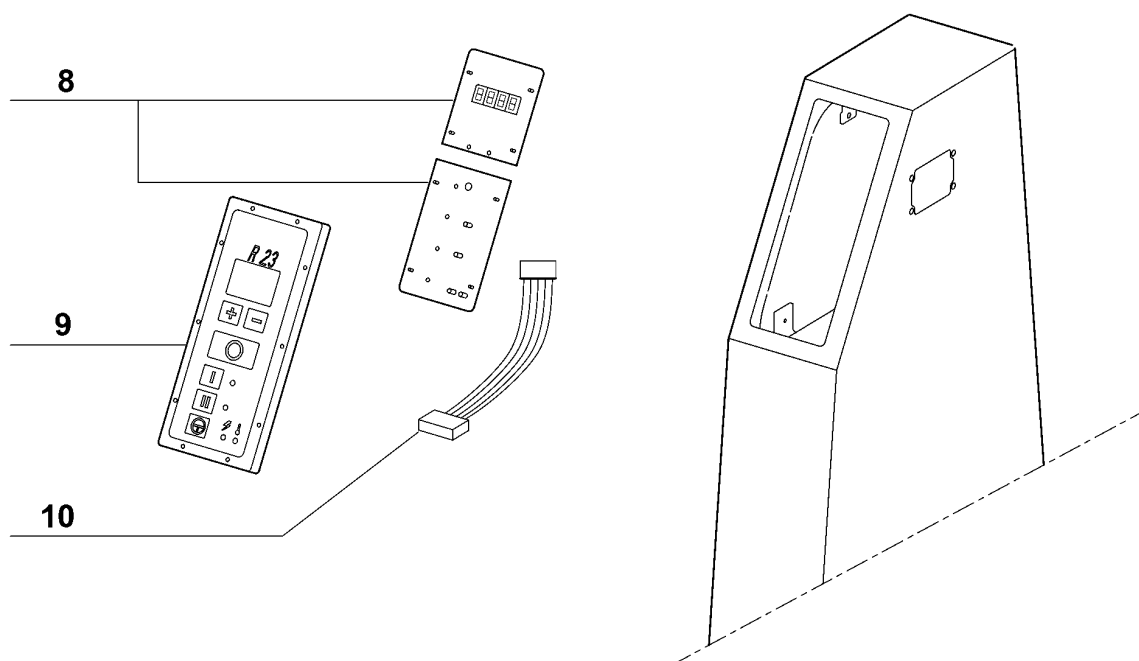
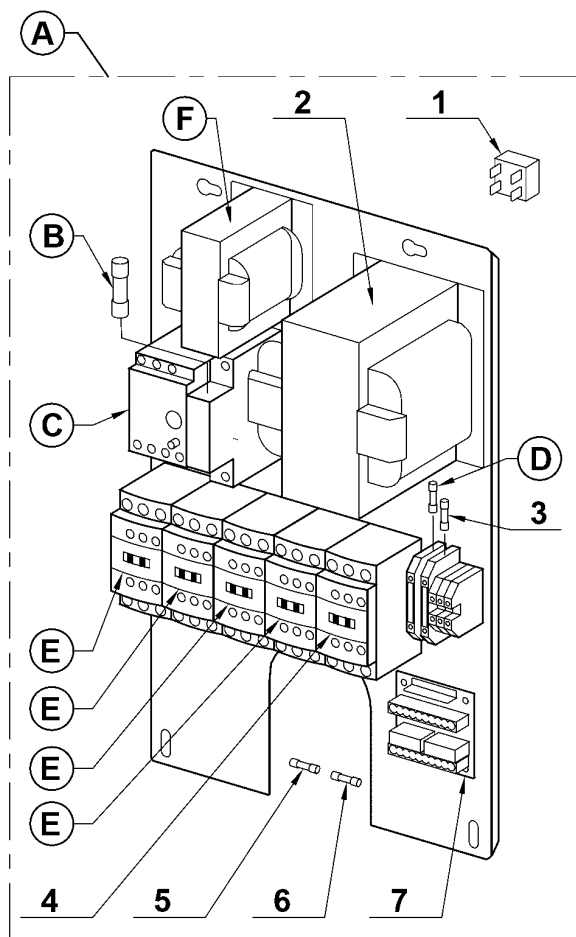
Machine	Voltage	A	M
51 333	220/60/3	117 989	303 125S
51 335	230/50/3		303 109S
51 339	200/50/3 - 200/60/3		303 125S

robotcoupe®

R 23 A

N° de série / Serial number

- 610 - - - - -



<i>index</i>	<i>Pièce / Part</i>	<i>Désignation</i>	<i>Description</i>
1	511 620S	PONT DE DIODES	RECTIFIER BRIDGE
2	503 353S	TRANSFORMATEUR 48V	TRANSFORMER 48V
3	500 537S	FUSIBLE PRIMAIRE 9/24V	PRIMARY FUSE 9/24V
4	507 174S	CONTACTEUR	CONTACTOR
5	504 253S	FUSIBLE SECONDAIRE 9V	SECONDARY FUSE 9V
6	503 106S	FUSIBLE SECONDAIRE 24V	SECONDARY FUSE 24V
7	117 980S	CARTE DE CONNEXION	CONNECTING BOARD
8	59 482	CARTE DE COMMANDE + TIMER	CONTROL + TIMER BOARD KIT
9	59 157	ENSEMBLE CLAVIER DE COMMANDE	CONTROL PANEL ASSEMBLY
10	117 982S	LIMANDE DE LIAISON	LINK CABLE

<i>Index</i>	<i>Désignation</i>	<i>Description</i>
A	PLATINE DE PUISSANCE	POWER CONTROL BOARD
B	FUSIBLE DE FREINAGE	BRACKING CIRCUIT FUSE
C	RELAIS THERMIQUE	THERMAL OVERLOAD RELAY
D	FUSIBLE PRIMAIRE 48V	PRIMARY FUSE 48V
E	CONTACTEUR	CONTACTOR
F	TRANSFORMATEUR DE COMMANDE	CONTROL TRANSFORMER

Machine	Voltage	A	B	C	D
51 331	400/50/3	117 987	503 355S	503 354S	500 537S
51 334	380/60/3				
51 337	440/60/3				

Machine	Voltage	A	B	C	D
51 333	220/60/3	117 989	503 356S	503 376S	503 108S
51 335	230/50/3				
51 339	220/60/3				

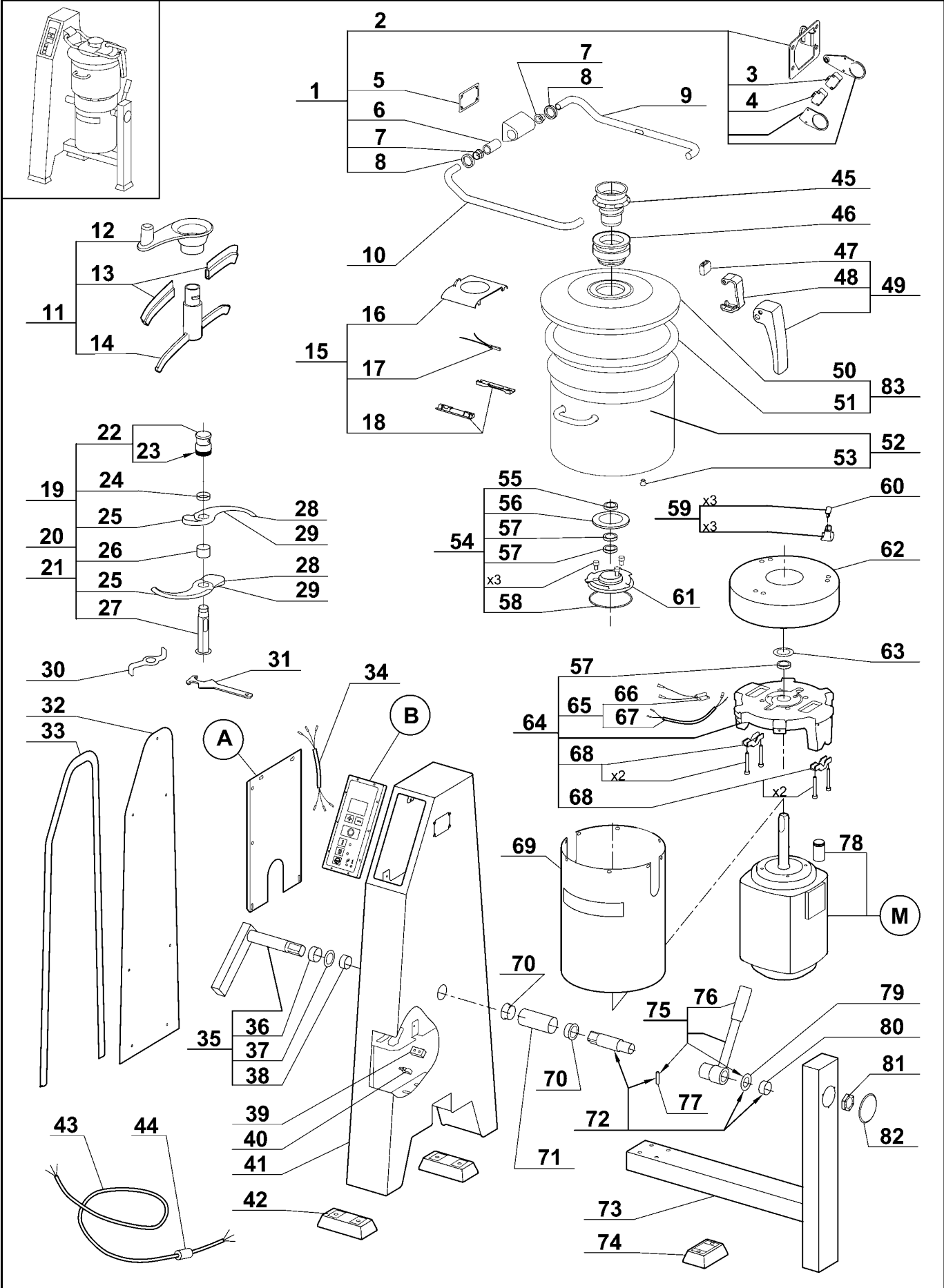
Machine	Voltage	E	F
51 331	400/50/3	503 363S	503 352S
51 334	380/60/3		
51 337	440/60/3		

Machine	Voltage	E	F
51 333	220/60/3	503 364S	507 200S
51 335	230/50/3		
51 339	200/60/3		

robotcoupe®

R 30 A
R 30 A V.V.

N° de série / Serial number
- 611 - - - - -
- 623 - - - - -



	<i>Pièce / Part</i>	<i>Désignation</i>	<i>Description</i>
1	59 128	ENSEMBLE CHARNIERE SECURITE BRAS	HINGE ARM ASSEMBLY
2	59 273	ENSEMBLE SECURITE BRAS	LID ARM SAFETY ASSEMBLY
3	501 258S	INTERRUPTEUR SECURITE NORMALEMENT FERME	NORMALLY CLOSED SAFETY SWITCH
4	507 250S	INTERRUPTEUR SECURITE NORMALEMENT OUVERT	NORMALLY OPENED SAFETY SWITCH
5	118 255S	JOINT PLAT DE CHARNIERE	HINGE FLAT SEAL
6	105 912S	CAME INTERRUPTEURS SECURITE	SAFETY SWITCHES CAM
7	118 126S	DOUILLE DE GUIDAGE	BUSHING
8	501 424S	BAGUE ETANCHEITE 20x30x7	SEALING RING 20x30x7
9	119 206S	TUBE DROIT	RIGHT LID TUBE
10	119 207S	TUBE GAUCHE	LEFT LID TUBE
11	59 506	ENSEMBLE ESSUIE COUVERCLE	LID WIPER ASSEMBLY
12	59 395	POIGNEE RACLEUR	BLIXER ARM HANDLE
13	59 507	RACLEURS SOUPLES COUVERCLE (Qté = 2)	LID SOFT WIPER (Qty = 2).
14	59 508	SUPPORT ESSUIE COUVERCLE	LID WIPER SUPPORT
15	59 504	ENSEMBLE SUPPORT COUVERCLE	LID SUPPORT ASSEMBLY
16	59 505	SUPPORT COUVERCLE	LID SUPPORT
17	118 132S	INTERRUPTEUR SECURITE COUVERCLE	LID SAFETY SWITCH
18	59 131	ENSEMBLE PINCES BRAS	ARM CLIPS ASSEMBLY
19	57 074	COUTEAU LISSE	STRAIGHT BLADE ASSEMBLY
20	57 075	COUTEAU CRANTE	COARSE SERRATED BLADE ASSEMBLY
21	57 077	COUTEAU DENTE	FINE SERRATED BLADE ASSEMBLY
22	105 904S	ECROU COUTEAU AVEC BAGUE PLASTIQUE	BLADE LOCKING NUT WITH PLASTIC WASHER
23	105 906S	RONDELLE PLASTIQUE INTEGREE	INTEGRATED PLASTIC WASHER
24	118 201S	BAGUE COUTEAU 10 mm	BLADE SPACER 10 mm
25	117 950S	LAME LISSE	STRAIGHT BLADE
26	118 200S	BAGUE COUTEAU 32 mm	BLADE SPACER 32 mm
27	117 930S	SUPPORT COUTEAU	BLADE SUPPORT
28	118 241S	LAME DENTEE	FINE SERRATED BLADE
29	118 286S	LAME CRANTE	COARSE SERRATED BLADE
30	118 268S	DEMONTE COUTEAU	BLADE DISMANTLING DEVICE
31	119 200S	CLEF DEMONTE COUTEAU	BLADE DISMANTLING WRENCH
32	117 935S	FACE ARRIERE	CASING ACCESS DOOR
33	118 256S	JOINT FACE ARRIERE	CASING ACCESS DOOR SEAL
34	118 127S	FAISCEAU INTERRUPTEUR SECURITE BRAS	LID ARM SAFETY SWITCH HARNESS
35	59 135	ENSEMBLE AXE ARRIERE	BACK TILTING PIVOT ASSEMBLY
36	118 146S	ENTRETOISE AXE ARRIERE	BACK TILTING PIVOT SPACER
37	118 147S	RONDELLE APPUI ARRIERE	BACK THRUST WASHER
38	118 148S	DOUILLE PALIER ARRIERE	BACK BEARING BUSH
39	117 959S	BUTEE BASCULEMENT	TILTING STOP
40	507 007S	INTERRUPTEUR SECURITE BASCULEMENT	TILTING SAFETY SWITCH
41	117 934S	CAISSON	CASING
42	118 186S	PIED ARRIERE	CASING FOOT
43	502 687S	CABLE	POWER CORD
44	501 773S	PASSE FIL	POWER CORD PROTECTOR
45	59 313	CONE DE COUVERCLE	LID FUNNEL
46	59 318	APPUI DE COUVERCLE	LID GUIDE
47	119 259S	BUTEE DE CROCHET	LID LATCH RUBBER STOP
48	119 267S	CROCHET	LID LATCH
49	59 272	ENSEMBLE POIGNEE	HANDLE ASSEMBLY
50	59 518	COUVERCLE	LID
51	119 264S	JOINT DE COUVERCLE	LID SEAL
52	59 132	ENSEMBLE CUVE	BOWL ASSEMBLY
53	118 171S	BOUCHON SECURITE	SAFETY PLUG
54	59 221	ENSEMBLE JOINTS D'ARBRE	SHAFT SEALS ASSEMBLY
55	507 168S	JOINT FACIAL	FACIAL SHAFT SEAL
56	118 153S	JOINT FOND DE CUVE	BOWL SEAL

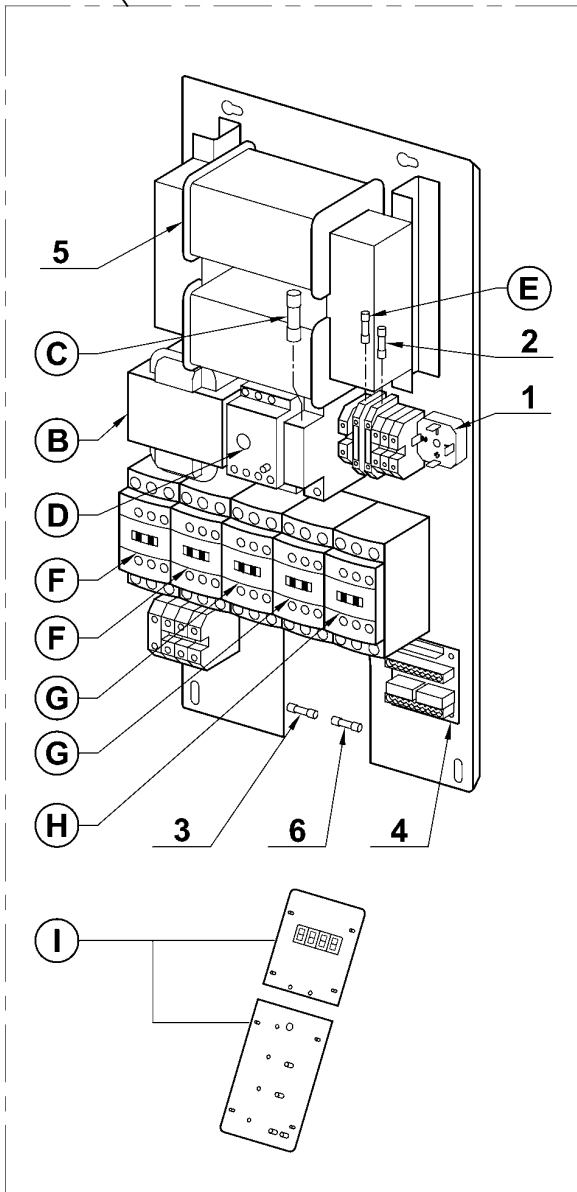
Index	Pièce / Part	Désignation	Description
57	501 105S	BAGUE A LEVRES 30x40x7	SHAFT SEAL 30x40x7
58	507 050S	JOINT TORIQUE 120x3,5 mm	O-RING 120x3.5 mm
59	59 165	ENSEMBLE APPUIS DE CUVE (Qté = 3)	BOWL SUPPORTS ASSEMBLY (Qty = 3)
60	118 595S	APPUI CUVE PLASTIQUE	PLASTIC BOWL SUPPORT
61	117 922S	DOUILLE PORTE JOINTS	SEALS SOCKET
62	118 151S	JUPE HAUTE	UPPER MOTOR COVER
63	118 155S	DEFLECTEUR MOTEUR	MOTOR DEFLECTOR
64	59 197	ENSEMBLE SUPPORT MOTEUR	MOTOR SUPPORT ASSEMBLY
65	118 157S	ENSEMBLE INTERRUPTEUR SECURITE CUVE	BOWL SAFETY SWITCH ASSEMBLY
66	119 199S	INTERRUPTEUR SECURITE CUVE	BOWL SAFETY SWITCH
67	119 194S	FAISCEAU INTERRUPTEUR SECURITE CUVE	BOWL SAFETY SWITCH HARNESS
68	59 223	ENSEMBLE CAVALIER AXE BASCULEMENT	TILTING PIVOT STAPLE ASSEMBLY
69	118 296S	JUPE BASSE	LOWER MOTOR COVER
70	118 150S	DOUILLE MANCHON	SLEEVE BUSH
71	118 149S	MANCHON 107 mm	SLEEVE 107 mm
72	59 137	ENSEMBLE AXE AVANT	FRONT TILTING PIVOT ASSEMBLY
73	117 936S	PIEtement	STAND
74	117 958S	PIED AVANT	FRONT FOOT
75	59 138	ENSEMBLE LEVIER DE SERRAGE	LOCKING LEVER ASSEMBLY
76	118 142S	POIGNEE DE BASCULEMENT	TILTING HANDLE
77	208 582S	GOUPILLE AXE DE BASCULEMENT	TILTING SHAFT PIN
78	59 439	KIT BAGUE MOTEUR	MOTOR SLEEVE KIT
79	118 143S	RONDELLE D'APPUI AVANT	FRONT THRUST WASHER
80	118 144S	DOUILLE PALIER AVANT	FRONT BEARING BUSH
81	118 166S	ECROU REGLAGE BASCULEMENT	TILTING ADJUSTING NUT
82	117 956S	BOUCHON	COVER
83	59 494	ENSEMBLE COUVERCLE ET JOINT	LID AND GASKET ASSEMBLY

Index	Désignation	Description
A	PLATINE DE PUISSANCE	POWER CONTROL BOARD
B	ENSEMBLE CLAVIER DE COMMANDE	CONTROL PANEL ASSEMBLY
M	MOTEUR	MOTOR

Machine	Voltage	A	B	M
52 331	400/50/3	119 178	59 139	303 134S
52 334	380/60/3			303 136S
52 337	440/60/3			303 134S
52 333	220/60/3	119 179		303 121S
52 335	230/50/3			303 138S
52 339	220/60/3			303 121S
52 338	400/50/3	59 244	59 229	303 134S

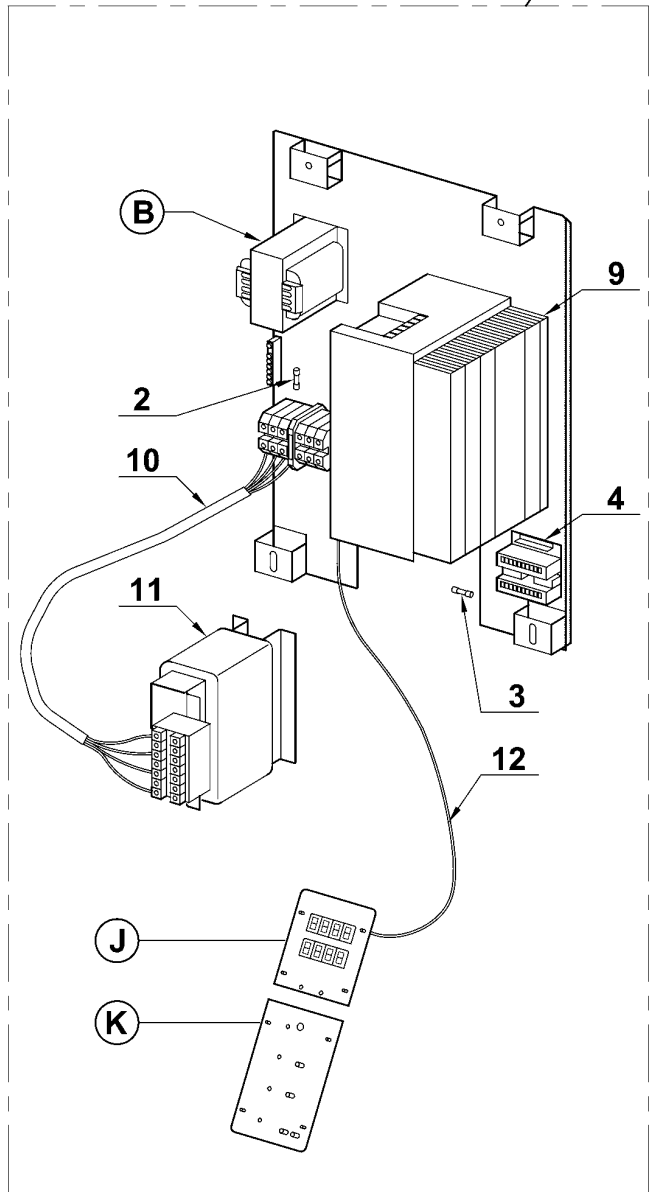
(A)

R 30 A

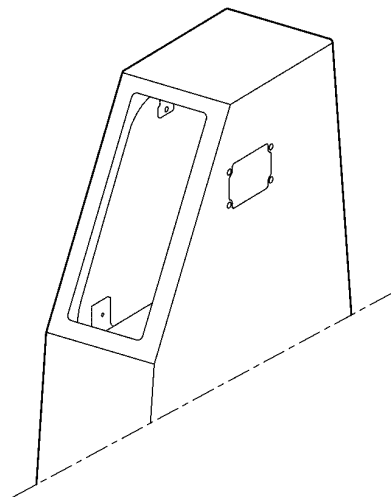
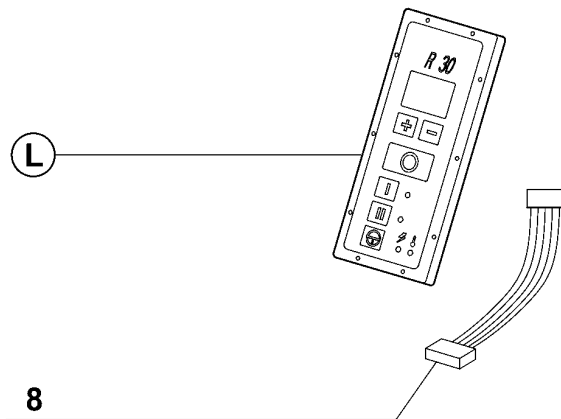


R 30 A V.V.

(A)



(L)



Index	Pièce / Part	Désignation	Description
1	511 620S	PONT DE DIODES	RECTIFIER BRIDGE
2	500 537S	FUSIBLE PRIMAIRE 9/24V	PRIMARY FUSE 9/24V
3	504 253S	FUSIBLE SECONDAIRE 9V	SECONDARY FUSE 9V
4	117 980S	CARTE DE CONNEXION	CONNECTING BOARD
5	503 971S	TRANSFORMATEUR 48V	TRANSFORMER 48V
6	507 121S	FUSIBLE SECONDAIRE 24V	SECONDARY FUSE 24V
7	59 482	CARTE DE COMMANDE + TIMER	CONTROL + TIMER BOARD KIT
8	117 982S	LIMANDE DE LIAISON	LINK CABLE
9	59 254	VARIATEUR	INVERTER
10	59 247	FAISCEAU SELF	SELF WIRES
11	59 248	FILTRE SELF	SELF FILTER
12	59 212	FAISCEAU CONSIGNE	ANALOG INPUT WIRE

Index	Désignation	Description
A	PLATINE DE PUISSANCE	POWER CONTROL BOARD
B	TRANSFORMATEUR DE COMMANDE	CONTROL TRANSFORMER
C	FUSIBLE DE FREINAGE	BRAKING CIRCUIT FUSE
D	RELAIS THERMIQUE	THERMAL OVERLOAD RELAY
E	FUSIBLE PRIMAIRE 48V	PRIMARY FUSE 48V
F	CONTACTEUR	CONTACTOR
G	CONTACTEUR	CONTACTOR
H	CONTACTEUR	CONTACTOR
I	CARTE DE COMMANDE + TIMER	CONTROL + TIMER BOARD KIT
J	CARTE TIMER V.V.	TIMER V.V. BOARD
K	CARTE DE COMMANDE V.V.	V.V. CONTROL BOARD
L	ENSEMBLE CLAVIER DE COMMANDE	CONTROL PANEL ASSEMBLY

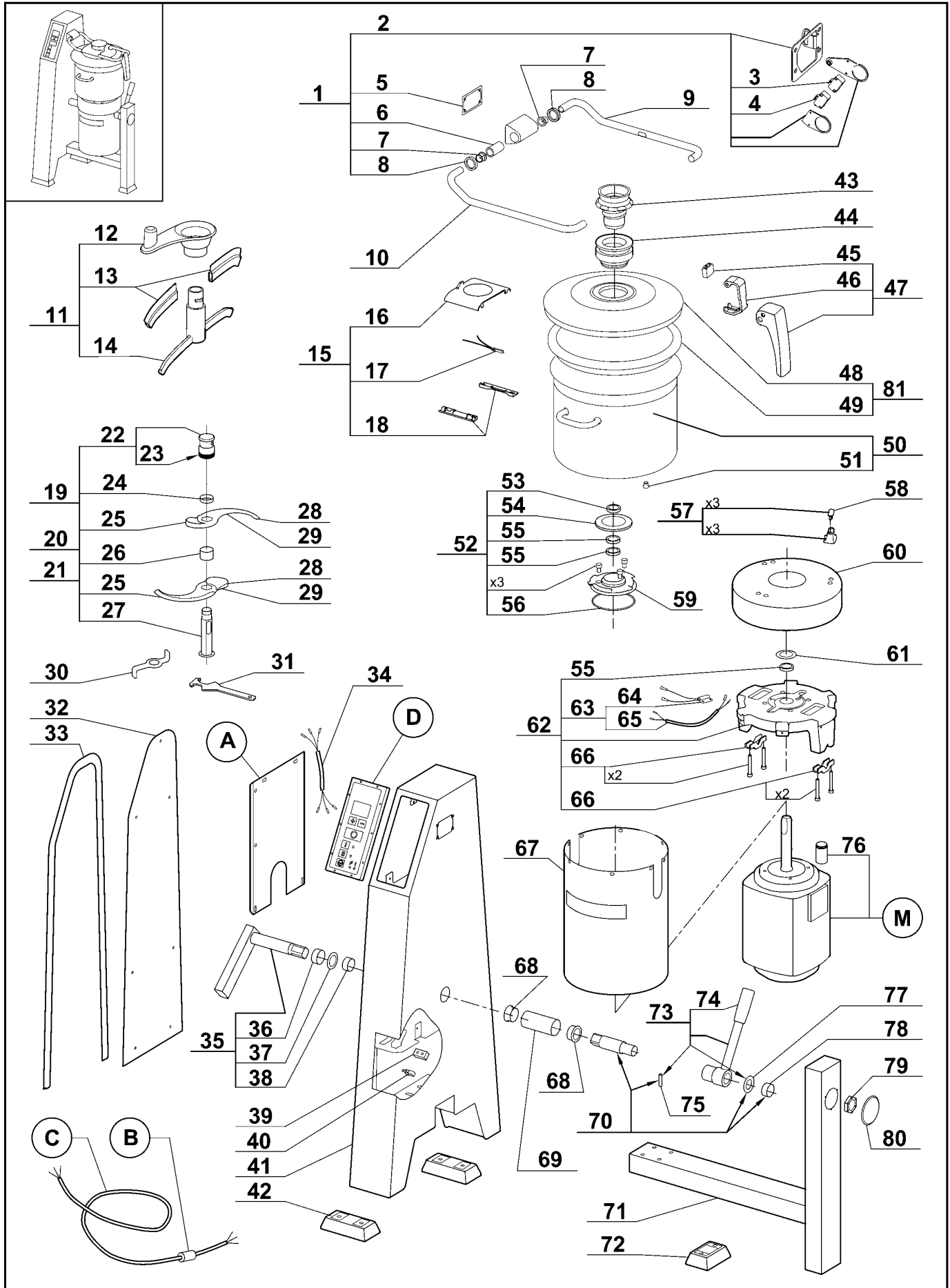
Machine	Voltage	A	B	C	D	E	F
52 331	400/50/3	119 178	503 970S	503 356S	503 960S	503 106S	503 363S
52 334	380/60/3						
52 337	440/60/3						
52 333	220/60/3	119 179	507 200S	502 495S	503 376S	504 257S	503 362S
52 335	230/50/3						
52 339	220/60/3						
52 338	400/50/3	59 244	503 352	-	-	-	-

Machine	Voltage	G	H	I	J	K	L
52 331	400/50/3	503 364S	507 174S	59 482	-	-	59 139
52 334	380/60/3						
52 337	440/60/3						
52 333	220/60/3	503 362S		-	-	-	-
52 335	230/50/3						
52 339	220/60/3						
52 338	400/50/3	-	-	-	59 269	59 270	59 229

robotcoupe®

**R 45 A
R 45 A V.V.**

N° de série / Serial number
- 612 - - - - -
- 624 - - - - -



<i>Index</i>	<i>Pièce / Part</i>	<i>Désignation</i>	<i>Description</i>
1	59 128	ENSEMBLE CHARNIERE SECURITE BRAS	HINGE ARM ASSEMBLY
2	59 273	ENSEMBLE SECURITE BRAS	LID ARM SAFETY ASSEMBLY
3	501 258S	INTERRUPTEUR SECURITE NORMALEMENT FERME	NORMALLY CLOSED SAFETY SWITCH
4	507 250S	INTERRUPTEUR SECURITE NORMALEMENT OUVERT	NORMALLY OPENED SAFETY SWITCH
5	118 255S	JOINT PLAT DE CHARNIERE	HINGE FLAT SEAL
6	105 912S	CAME INTERRUPTEURS SECURITE	SAFETY SWITCHES CAM
7	118 126S	DOUILLE DE GUIDAGE	BUSHING
8	501 424S	BAGUE ETANCHEITE 20x30x7	SEALING RING 20x30x7
9	119 208S	TUBE DROIT	RIGHT LID TUBE
10	119 209S	TUBE GAUCHE	LEFT LID TUBE
11	59 511	ENSEMBLE ESSUIE COUVERCLE	LID WIPER ASSEMBLY
12	59 395	POIGNEE RACLEUR	BLIXER ARM HANDLE
13	59 512	RACLEURS SOUPLES COUVERCLE (Qté = 2)	LID SOFT WIPER (Qty = 2).
14	59 513	SUPPORT ESSUIE COUVERCLE	LID WIPER SUPPORT
15	59 504	ENSEMBLE SUPPORT COUVERCLE	LID SUPPORT ASSEMBLY
16	59 505	SUPPORT COUVERCLE	LID SUPPORT
17	118 132S	INTERRUPTEUR SECURITE COUVERCLE	LID SAFETY SWITCH
18	59 131	ENSEMBLE PINCES BRAS	ARM CLIPS ASSEMBLY
19	57 081	COUTEAU LISSE	STRAIGHT BLADE ASSEMBLY
20	57 082	COUTEAU CRANTE	COARSE SERRATED BLADE ASSEMBLY
21	57 084	COUTEAU DENTE	FINE SERRATED BLADE ASSEMBLY
22	105 905S	ECROU COUTEAU AVEC BAGUE PLASTIQUE	BLADE LOCKING NUT WITH PLASTIC WASHER
23	105 907S	RONDELLE PLASTIQUE INTEGREE	INTEGRATED PLASTIC WASHER
24	118 204S	BAGUE COUTEAU 14 mm	BLADE SPACER 14 mm
25	117 952S	LAME LISSE	STRAIGHT BLADE
26	118 205S	BAGUE COUTEAU 43 mm	BLADE SPACER 43 mm
27	117 932S	SUPPORT COUTEAU	BLADE SUPPORT
28	118 243S	LAME DENTEE	FINE SERRATED BLADE
29	118 287S	LAME CRANTE	COARSE SERRATED BLADE
30	118 268S	DEMONTE COUTEAU	BLADE DISMANTLING DEVICE
31	119 200S	CLEF DEMONTE COUTEAU	BLADE DISMANTLING WRENCH
32	117 940S	FACE ARRIERE	CASING ACCESS DOOR
33	118 257S	JOINT FACE ARRIERE	CASING ACCESS DOOR SEAL
34	118 127S	FAISCEAU INTERRUPTEUR SECURITE BRAS	LID ARM SAFETY SWITCH HARNESS
35	59 135	ENSEMBLE AXE ARRIERE	BACK TILTING PIVOT ASSEMBLY
36	118 146S	ENTRETOISE AXE ARRIERE	BACK TILTING PIVOT SPACER
37	118 147S	RONDELLE APPUI ARRIERE	BACK THRUST WASHER
38	118 148S	DOUILLE PALIER ARRIERE	BACK BEARING BUSH
39	117 959S	BUTEE BASCULEMENT	TILTING STOP
40	507 250S	INTERRUPTEUR SECURITE BASCULEMENT	TILTING SAFETY SWITCH
41	117 939S	CAISSON	CASING
42	118 186S	PIED ARRIERE	CASING FOOT
43	59 313	CONE DE COUVERCLE	LID FUNNEL
44	59 318	APPUI DE COUVERCLE	LID GUIDE
45	119 259S	BUTEE DE CROCHET	LID LATCH RUBBER STOP
46	119 267S	CROCHET	LID LATCH
47	59 272	ENSEMBLE POIGNEE	HANDLE ASSEMBLY
48	59 519	COUVERCLE	LID
49	119 265S	JOINT DE COUVERCLE	LID SEAL
50	59 142	ENSEMBLE CUVE	BOWL ASSEMBLY
51	118 171S	BOUCHON SECURITE	SAFETY PLUG
52	59 222	ENSEMBLE JOINTS D'ARBRE	SHAFT SEALS ASSEMBLY
53	59 168	JOINT FACIAL	FACIAL SHAFT SEAL
54	118 153S	JOINT FOND DE CUVE	BOWL SEAL
55	507 054S	BAGUE A LEVRES 40x52x7	SHAFT SEAL 40x52x7
56	507 050S	JOINT TORIQUE 120x3,5 mm	O-RING 120x3.5 mm

Index	Pièce / Part	Désignation	Description
57	59 165	ENSEMBLE APPUIS DE CUVE (Qté = 3)	BOWL SUPPORTS ASSEMBLY (Qty = 3)
58	118 595S	APPUI CUVE PLASTIQUE	PLASTIC BOWL SUPPORT
59	117 928S	DOUILLE PORTE JOINTS	SEALS SOCKET
60	118 175S	JUPE HAUTE	UPPER MOTOR COVER
61	118 174S	DEFLECTEUR MOTEUR	MOTOR DEFLECTOR
62	59 198	ENSEMBLE SUPPORT MOTEUR	MOTOR SUPPORT ASSEMBLY
63	118 157S	ENSEMBLE INTERRUPTEUR SECURITE CUVE	BOWL SAFETY SWITCH ASSEMBLY
64	119 199S	INTERRUPTEUR SECURITE CUVE	BOWL SAFETY SWITCH
65	119 194S	FAISCEAU INTERRUPTEUR SECURITE CUVE	BOWL SAFETY SWITCH HARNESS
66	59 223	ENSEMBLE CAVALIER AXE BASCULEMENT	TILTING PIVOT STAPLE ASSEMBLY
67	118 297S	JUPE BASSE	LOWER MOTOR COVER
68	118 150S	DOUILLE MANCHON	SLEEVE BUSH
69	118 149S	MANCHON 107 mm	SLEEVE 107 mm
70	59 137	ENSEMBLE AXE AVANT	FRONT TILTING PIVOT ASSEMBLY
71	117 941S	PIEtement	STAND
72	117 958S	PIED AVANT	FRONT FOOT
73	59 138	ENSEMBLE LEVIER DE SERRAGE	LOCKING LEVER ASSEMBLY
74	118 142S	POIGNEE DE BASCULEMENT	TILTING HANDLE
75	208 582S	GOUPILLE AXE DE BASCULEMENT	TILTING SHAFT PIN
76	59 440	KIT BAGUE MOTEUR	MOTOR SLEEVE KIT
77	118 143S	RONDELLE D'APPUI AVANT	FRONT THRUST WASHER
78	118 144S	DOUILLE PALIER AVANT	FRONT BEARING BUSH
79	118 166S	ECROU REGLAGE BASCULEMENT	TILTING ADJUSTING NUT
80	117 956S	BOUCHON	COVER
81	59 495	ENSEMBLE COUVERCLE ET JOINT	LID AND GASKET ASSEMBLY

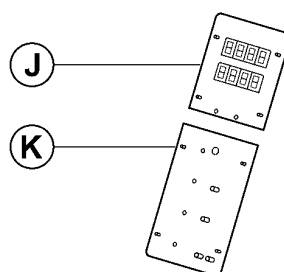
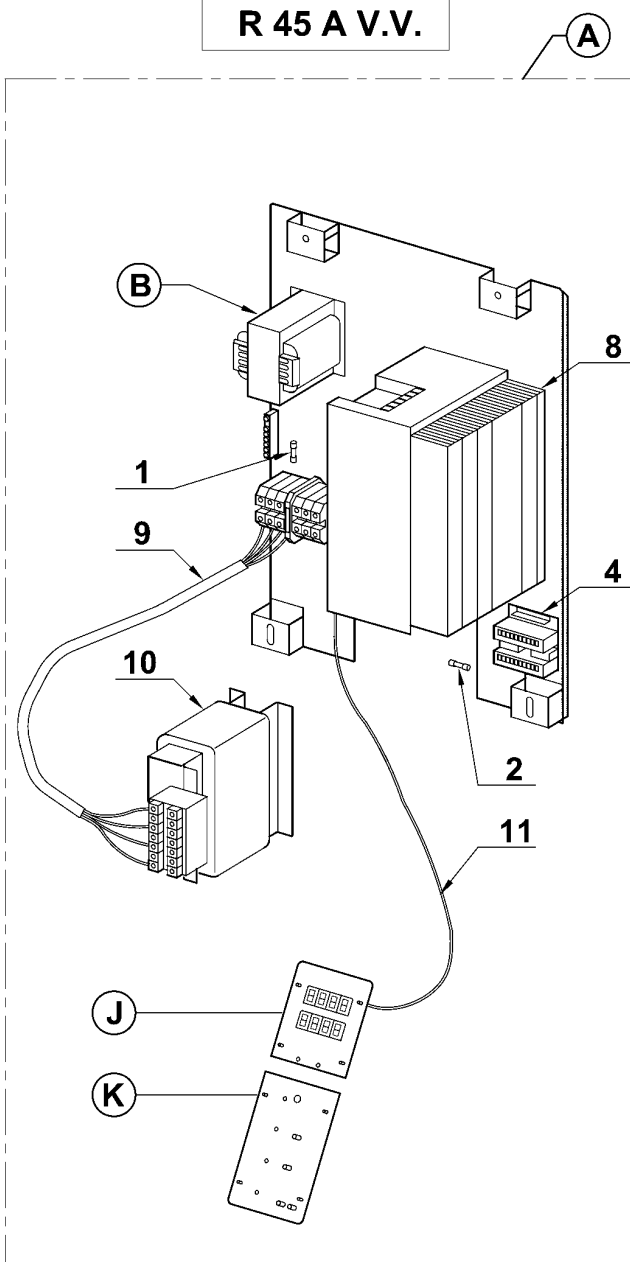
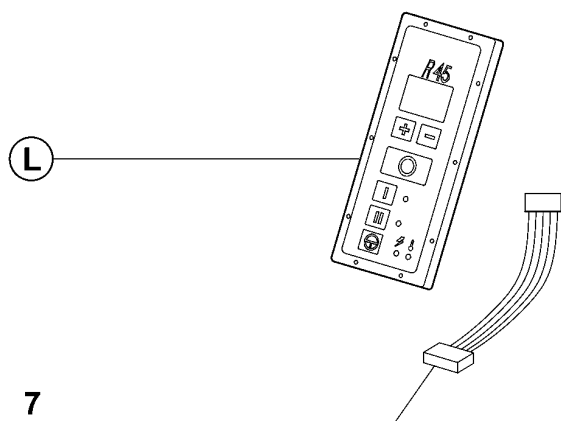
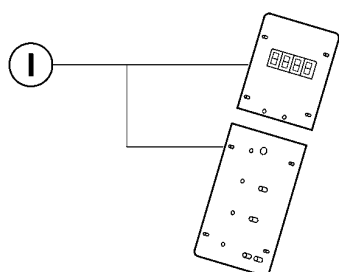
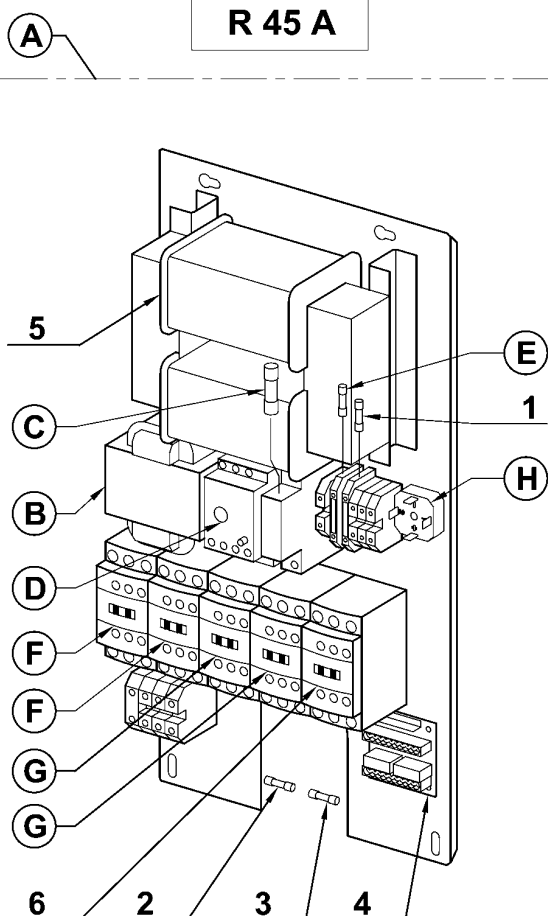
Index	Désignation	Description
A	PLATINE DE PUISSANCE	POWER CONTROL BOARD
B	PASSE-FIL	POWER CORD PROTECTOR
C	CABLE	POWER CORD
D	ENSEMBLE CLAVIER DE COMMANDE	CONTROL PANEL ASSEMBLY
M	MOTEUR	MOTOR

Machine	Voltage	A	B	C	D	M
53 331	400/50/3	117 995	59 160	504 272S	59 145	303 064S
53 334	380/60/3					303 132S
53 337	440/60/3					303 064S
53 333	220/60/3	117 997	59 167	101 043S	59 234	303 122S
53 335	230/50/3	112 326				303 111S
53 339	220/60/3	117 997				303 122S
53 338	400/50/3	59 245	59 160	504 272	59 234	303 064

robotcoupe®

R 45 A
R 45 A V.V.

N° de série / Serial number
- 612 - - - - -
- 624 - - - - -

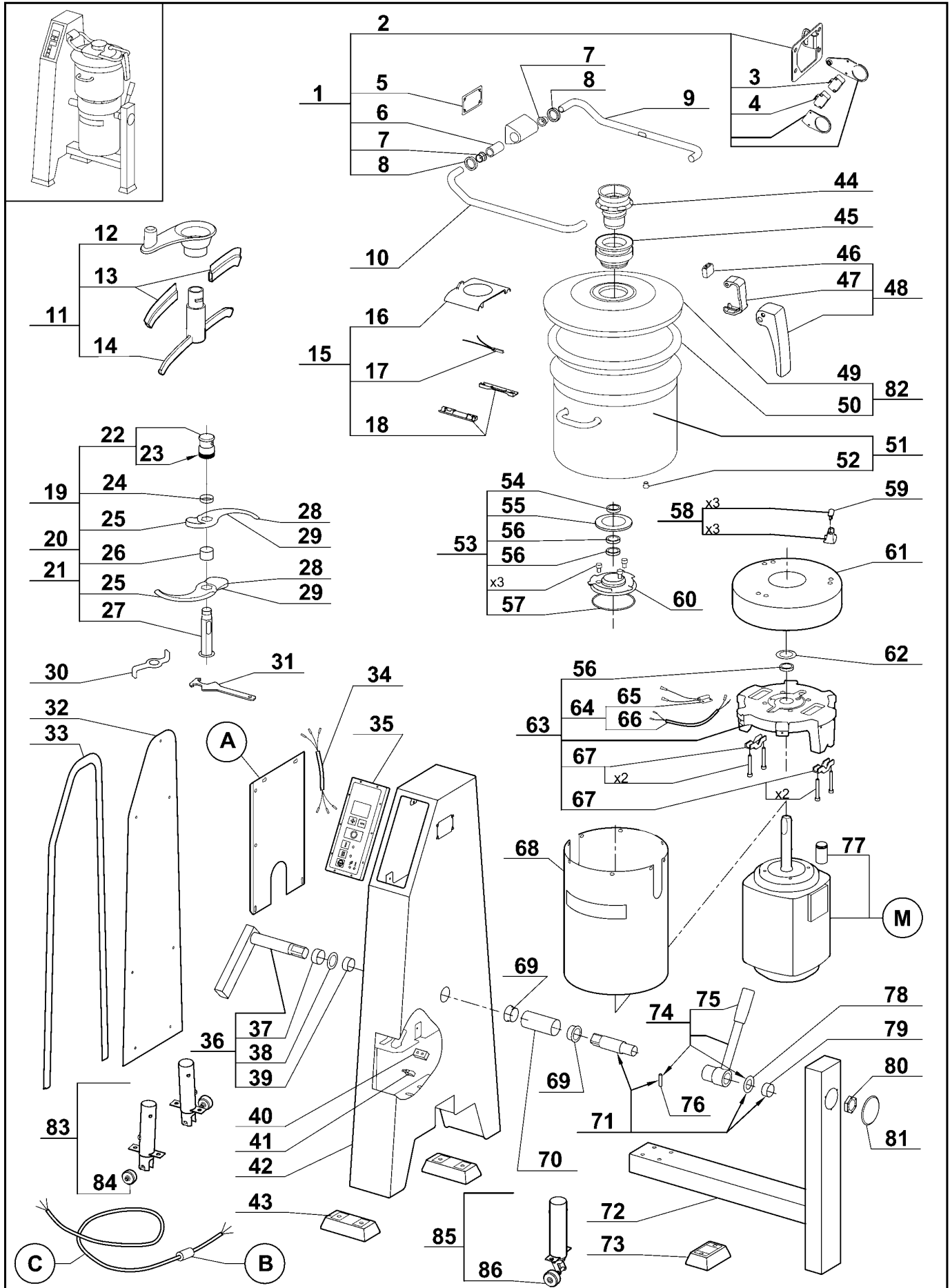


Index	Pièce / Part	Désignation	Description
1	500 537S	FUSIBLE PRIMAIRE 9/24V	PRIMARY FUSE 9/24V
2	504 253S	FUSIBLE SECONDAIRE 9V	SECONDARY FUSE 9V
3	507 121S	FUSIBLE SECONDAIRE 24V	SECONDARY FUSE 24V
4	117 980S	CARTE DE CONNEXION	CONNECTING BOARD
5	503 973S	TRANSFORMATEUR DE COMMANDE	CONTROL TRANSFORMER
6	503 362S	CONTACTEUR	CONTACTOR
7	117 982S	LIMANDE DE LIAISON	LINK CABLE
8	59 259	VARIATEUR	INVERTER
9	59 247	FAISCEAU SELF	SELF WIRES
10	59 249	FILTRE SELF	SELF FILTER
11	59 212	FAISCEAU CONSIGNE	ANALOG IMPUT WIRE

Index	Désignation	Description
A	PLATINE DE PUISSANCE	POWER CONTROL BOARD
B	TRANSFORMATEUR 9/24V	TRANSFORMER 9/24V
C	FUSIBLE DE FREINAGE	BRAKING CIRCUIT FUSE
D	RELAIS THERMIQUE	THERMAL OVERLOAD RELAY
E	FUSIBLE PRIMAIRE 48V	PRIMARY FUSE 48V
F	CONTACTEUR	CONTACTOR
G	CONTACTEUR	CONTACTOR
H	PONT DE DIODES	TRANSFORMER
I	CARTE DE COMMANDE + TIMER	CONTROL + TIMER BOARD KIT
J	CARTE TIMER V.V.	TIMER V.V. BOARD
K	CARTE DE COMMANDE V.V.	V.V. CONTROL BOARD
L	ENSEMBLE CLAVIER DE COMMANDE	CONTROL PANEL ASSEMBLY

Machine	Voltage	A	B	C	D	E	F
53 331	400/50/3	117 995	503 972S	503 356S	503 376S	503 108S	503 362S
53 334	380/60/3						
53 337	440/60/3						
53 333	220/60/3	117 997	507 200S	502 098S	503 961S	507 206S	503 969S
53 335	230/50/3						
53 339	220/60/3						
53 338	400/50/3	59 245	503 970	-	-	-	-

Machine	Voltage	G	H	I	J	K	L
53 331	400/50/3	503 362S	511 620S	59 482	-	-	59 145
53 334	380/60/3						
53 337	440/60/3						
53 333	220/60/3	503 688 S	511 622S	-	-	-	-
53 335	230/50/3						
53 339	220/60/3						
53 338	400/50/3	-	-	-	59 269	59 270	59 234



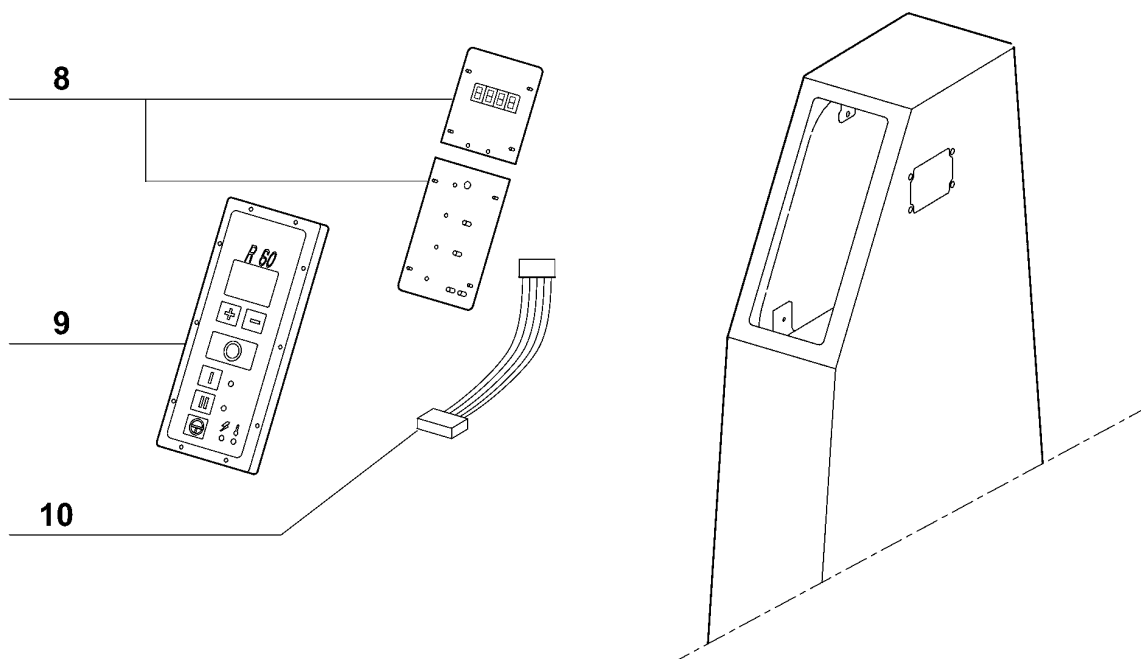
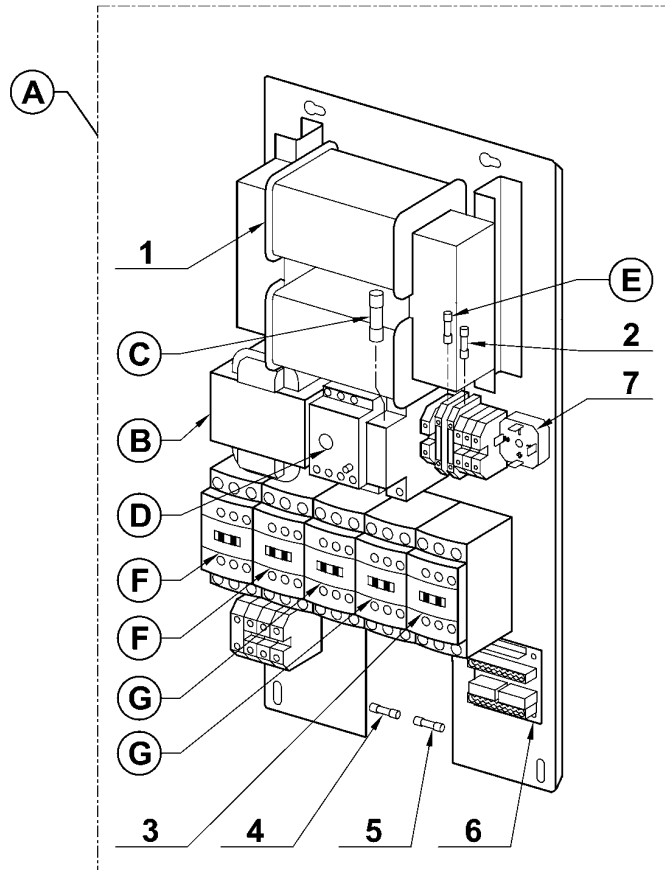
<i>Index</i>	<i>Pièce / Part</i>	<i>Désignation</i>	<i>Description</i>
1	59 128	ENSEMBLE CHARNIERE SECURITE BRAS	HINGE ARM ASSEMBLY
2	59 273	ENSEMBLE SECURITE BRAS	LID ARM SAFETY ASSEMBLY
3	501 258S	INTERRUPTEUR SECURITE NORMALEMENT FERME	NORMALLY CLOSED SAFETY SWITCH
4	507 250S	INTERRUPTEUR SECURITE NORMALEMENT OUVERT	NORMALLY OPENED SAFETY SWITCH
5	118 255S	JOINT PLAT DE CHARNIERE	HINGE FLAT SEAL
6	105 912S	CAME INTERRUPTEURS SECURITE	SAFETY SWITCHES CAM
7	118 126S	DOUILLE DE GUIDAGE	BUSHING
8	501 424S	BAGUE ETANCHEITE 20x30x7	SEALING RING 20x30x7
9	119 210S	TUBE DROIT	RIGHT LID TUBE
10	119 211S	TUBE GAUCHE	LEFT LID TUBE
11	59 514	ENSEMBLE ESSUIE COUVERCLE	LID WIPER ASSEMBLY
12	59 395	POIGNEE RACLEUR	BLIXER ARM HANDLE
13	59 515	RACLEURS SOUPLES COUVERCLE (Qté = 2)	LID SOFT WIPER (Qty = 2).
14	59 516	SUPPORT ESSUIE COUVERCLE	LID WIPER SUPPORT
15	59 505	ENSEMBLE SUPPORT COUVERCLE	LID SUPPORT ASSEMBLY
16	59 504	SUPPORT COUVERCLE	LID SUPPORT
17	118 132S	INTERRUPTEUR SECURITE COUVERCLE	LID SAFETY SWITCH
18	59 131	ENSEMBLE PINCES BRAS	ARM CLIPS ASSEMBLY
19	57 091	COUTEAU LISSE	STRAIGHT BLADE ASSEMBLY
20	57 092	COUTEAU CRANTE	COARSE SERRATED BLADE ASSEMBLY
21	57 093	COUTEAU DENTE	FINE SERRATED BLADE ASSEMBLY
22	105 905S	ECROU COUTEAU AVEC BAGUE PLASTIQUE	BLADE LOCKING NUT WITH PLASTIC WASHER
23	105 907S	RONDELLE PLASTIQUE INTEGREE	INTEGRATED PLASTIC WASHER
24	118 204S	BAGUE COUTEAU 14 mm	BLADE SPACER 14 mm
25	117 954S	LAME LISSE	STRAIGHT BLADE
26	118 205S	BAGUE COUTEAU 43 mm	BLADE SPACER 43 mm
27	117 932S	SUPPORT COUTEAU	BLADE SUPPORT
28	118 245S	LAME DENTEE	FINE SERRATED BLADE
29	118 290S	LAME CRANTE	COARSE SERRATED BLADE
30	118 268S	DEMONTE COUTEAU	BLADE DISMANTLING DEVICE
31	119 200S	CLEF DEMONTE COUTEAU	BLADE DISMANTLING WRENCH
32	117 940S	FACE ARRIERE	CASING ACCESS DOOR
33	118 257S	JOINT FACE ARRIERE	CASING ACCESS DOOR SEAL
34	118 127S	FAISCEAU INTERRUPTEUR SECURITE BRAS	LID ARM SAFETY SWITCH HARNESS
35	59 151	ENSEMBLE CLAVIER	CONTROL PANEL ASSEMBLY
36	59 162	ENSEMBLE AXE ARRIERE	BACK TILTING PIVOT ASSEMBLY
37	118 146S	ENTRETOISE AXE ARRIERE	BACK TILTING PIVOT SPACER
38	118 147S	RONDELLE APPUI ARRIERE	BACK THRUST WASHER
39	118 148S	DOUILLE PALIER ARRIERE	BACK BEARING BUSH
40	117 959S	BUTEE BASCULEMENT	TILTING STOP
41	507 250S	INTERRUPTEUR SECURITE BASCULEMENT	TILTING SAFETY SWITCH
42	117 939S	CAISSON	CASING
43	118 186S	PIED ARRIERE	CASING FOOT
44	59 313	CONE DE COUVERCLE	LID FUNNEL
45	59 318	APPUI DE COUVERCLE	LID GUIDE
46	119 259S	BUTEE DE CROCHET	LID LATCH RUBBER STOP
47	119 267S	CROCHET	LID LATCH
48	59 272	ENSEMBLE POIGNEE	HANDLE ASSEMBLY
49	59 520	COUVERCLE	LID
50	119 266S	JOINT DE COUVERCLE	LID SEAL
51	59 148	ENSEMBLE CUVE	BOWL ASSEMBLY
52	118 171S	BOUCHON SECURITE	SAFETY PLUG
53	59 222	ENSEMBLE JOINTS D'ARBRE	SHAFT SEALS ASSEMBLY
54	59 168	JOINT FACIAL	FACIAL SHAFT SEAL
55	118 153S	JOINT FOND DE CUVE	BOWL SEAL
56	507 054S	BAGUE A LEVRES 40x52x7	SHAFT SEAL 40x52x7

Index	Pièce / Part	Désignation	Description
57	507 050S	JOINT TORIQUE 120x3,5 mm	O-RING 120x3.5 mm
58	59 165	ENSEMBLE APPUIS DE CUVE (Qté = 3)	BOWL SUPPORTS ASSEMBLY (Qty = 3)
59	118 595S	APPUI CUVE PLASTIQUE	PLASTIC BOWL SUPPORT
60	117 928S	DOUILLE PORTE JOINTS	SEALS SOCKET
61	118 251S	JUPE HAUTE	UPPER MOTOR COVER
62	118 174S	DEFLECTEUR MOTEUR	MOTOR DEFLECTOR
63	59 198	ENSEMBLE SUPPORT MOTEUR	MOTOR SUPPORT ASSEMBLY
64	118 157S	ENSEMBLE INTERRUPTEUR SECURITE CUVE	BOWL SAFETY SWITCH ASSEMBLY
65	119 199S	INTERRUPTEUR SECURITE CUVE	BOWL SAFETY SWITCH
66	119 194S	FAISCEAU INTERRUPTEUR SECURITE CUVE	BOWL SAFETY SWITCH HARNESS
67	59 223	ENSEMBLE CAVALIER AXE BASCULEMENT	TILTING PIVOT STAPLE ASSEMBLY
68	118 298S	JUPE BASSE	LOWER MOTOR COVER
69	118 150S	DOUILLE MANCHON	SLEEVE BUSH
70	118 168S	MANCHON 132 mm	SLEEVE 132 mm
71	59 163	ENSEMBLE AXE AVANT	FRONT TILTING PIVOT ASSEMBLY
72	118 191S	PIEtement	STAND
73	117 958S	PIED AVANT	FRONT FOOT
74	59 161	ENSEMBLE LEVIER DE SERRAGE	LOCKING LEVER ASSEMBLY
75	118 142S	POIGNEE DE BASCULEMENT	TILTING HANDLE
76	208 582S	GOUPILLE AXE DE BASCULEMENT	TILTING SHAFT PIN
77	59 440	KIT BAGUE MOTEUR	MOTOR SLEEVE KIT
78	118 143S	RONDELLE D'APPUI AVANT	FRONT THRUST WASHER
79	118 144S	DOUILLE PALIER AVANT	FRONT BEARING BUSH
80	118 166S	ECROU REGLAGE BASCULEMENT	TILTING ADJUSTING NUT
81	117 956S	BOUCHON	COVER
82	59 496	ENSEMBLE COUVERCLE ET JOINT	LID AND GASKET ASSEMBLY
83	59 204	ENSEMBLE ROULETTE AR (NM)	REAR CASTOR ASSEMBLY (NM)
84	59 210	ENSEMBLE ROULETTE AR SEULE (NM)	SLANTED CASTOR ASSEMBLY (NM)
85	59 203	ENSEMBLE ROULETTE AV (NM)	FRONT CASTOR ASSEMBLY (NM)
86	59 209	ENSEMBLE ROULETTE AV SEULE (NM)	STRAIGHT CASTOR ASSEMBLY (NM)

Index	Désignation	Description
A	PLATINE DE PUISSANCE	POWER CONTROL BOARD
B	PASSE-FIL	POWER CORD PROTECTOR
C	CABLE	POWER CORD
M	MOTEUR	MOTOR

Machine	Voltage	A	B	C	M
54 331	400/50/3	119 180	59 160	504 272S	303 103S
54 334	380/60/3				303 137S
54 337	440/60/3				303 103S

Machine	Voltage	A	B	C	M
54 333	220/60/3	119 181	59 167	101 043S	303 123S
54 335	230/50/3				303 139S
54 339	220/60/3				303 123S



Index	Pièce / Part	Désignation	Description
1	503 973S	TRANSFORMATEUR 48V	TRANSFORMER 48V
2	500 537S	FUSIBLE PRIMAIRE 9/24V	PRIMARY FUSE 9/24V
3	503 362S	CONTACTEUR COMMUTATION	COMMUTATION CONTACTOR
4	504 253S	FUSIBLE SECONDAIRE 9V	SECONDARY FUSE 9V
5	507 121S	FUSIBLE SECONDAIRE 24V	SECONDARY FUSE 24V
6	117 980S	CARTE DE CONNEXION	CONNECTING BOARD
7	511 622S	PONT DE DIODES	TRANSFORMER
8	59 482	CARTE DE COMMANDE + TIMER	CONTROL + TIMER BOARD KIT
9	59 151	ENSEMBLE CLAVIER DE COMMANDE	CONTROL PANEL ASSEMBLY
10	117 982S	LIMANDE DE LIAISON	LINK CABLE

Index	Désignation	Description
A	PLATINE DE PUISSANCE	POWER CONTROL BOARD
B	TRANSFORMATEUR DE COMMANDE	CONTROL TRANSFORMER
C	FUSIBLE DE FREINAGE	BRAKING CIRCUIT FUSE
D	RELAIS THERMIQUE	THERMAL OVERLOAD RELAY
E	FUSIBLE PRIMAIRE 48V	PRIMARY FUSE 48V
F	CONTACTEUR	CONTACTOR
G	CONTACTEUR	CONTACTOR

Machine	Voltage	A	B	C	D
54 331	400/50/3	119 180	503 972S	503 356S	503 376S
54 334	380/60/3				
54 337	440/60/3				

Machine	Voltage	A	B	C	D
54 333	220/60/3	119 181	507 200S	502 098S	507 178S
54 335	230/50/3				
54 339	220/60/3				

Machine	Voltage	E	F	G
54 331	400/50/3	503 108S	503 362S	503 969S
54 334	380/60/3			
54 337	440/60/3			

Machine	Voltage	E	F	G
54 333	220/60/3	507 206S	503 969S	503 688S
54 335	230/50/3			
54 339	220/60/3			

Serial number - XXX - - - - - or XXX - - - - -

N° de série - XXX - - - - - ou XXX - - - - -

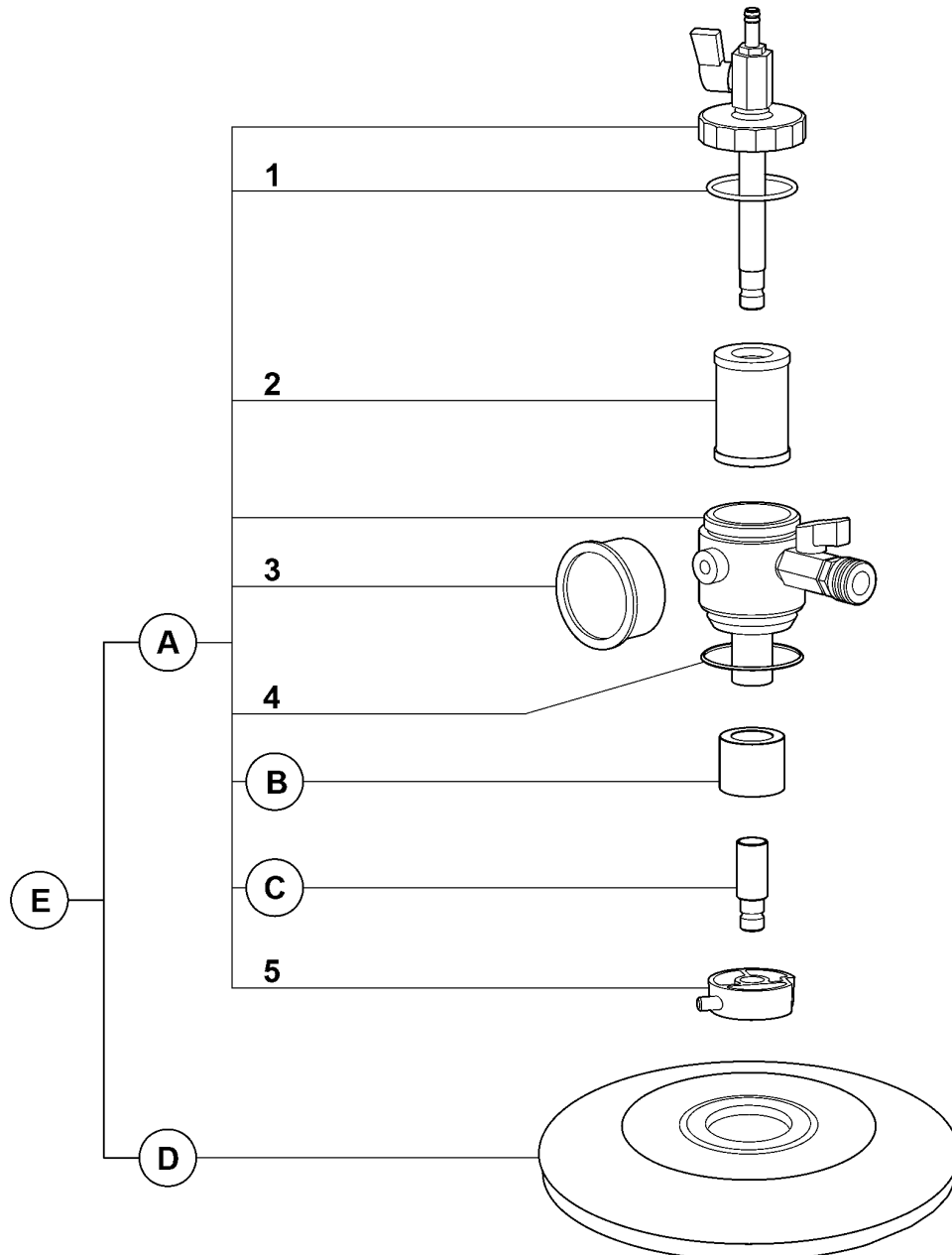
Where XXX set for:

Où XXX vaut :

R8 096
R10D 116 117 118
R20D 119 120 121

R8E 512 513 593
R10E 514 515 594
R15E 516 517 595
R20E 518 519 596

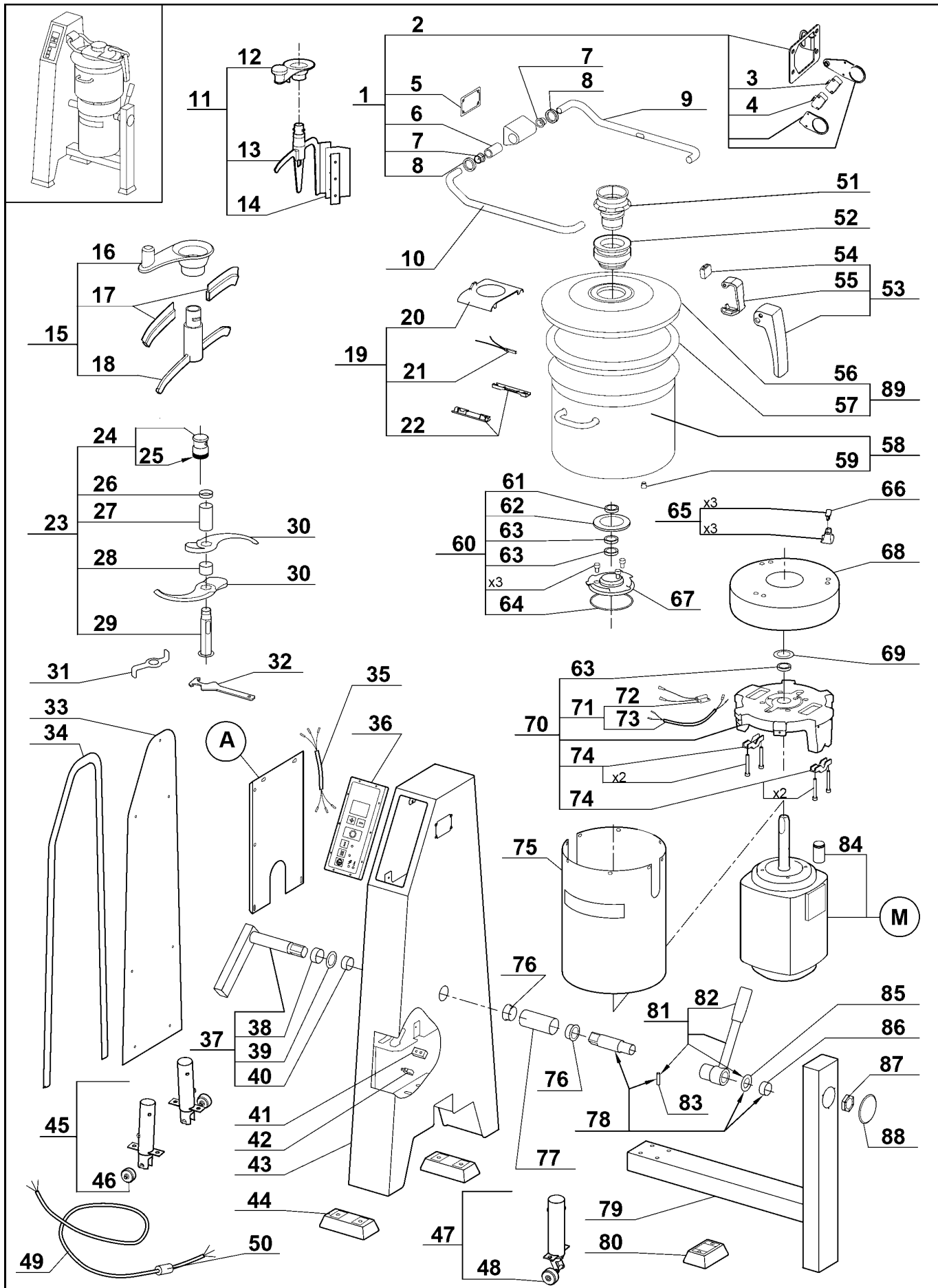
R23A 610 626
R30A 611 627 623
R45A 612 628 624
R60A 613 629



<i>Index</i>	<i>Pièce / Part</i>	<i>Désignation</i>	<i>Description</i>
1	500 545S	JOINT TORIQUE SUPERIEUR	UPPER VACUUM SEAL
2	500 547S	FILTRE	FILTER
3	500 548S	MANOMETRE	VACUUM GAUGE
4	500 546S	JOINT TORIQUE INFERIEUR	LOWER VACUUM SEAL
5	29 174	CLOCHE ADAPTATEUR SOUS VIDE	VACUUM NUT

<i>Index</i>	<i>Désignation</i>	<i>Description</i>
A	ADAPTATEUR SOUS VIDE	ADAPTATION VACUUM KIT
B	GUIDE SOUS VIDE	VACUUM KIT GUIDE
C	RALLONGE SOUS VIDE	VACUUM KIT ADAPTOR
D	COUVERCLE A SOUS VIDE	SERIES A VACUUM LID
E	KIT A SOUS VIDE	SERIES A VACUUM KIT

Type	A	B	C	D	E
R8 R10D R20D	29 076				
R8E R10E R15E R20E					
R23A				59 468	59 522
R30A				59 469	59 523
R45A				59 470	59 524
R60A				59 471	59 525



Index	Pièce / Part	Désignation	Description
1	59 128	ENSEMBLE CHARNIERE SECURITE BRAS	HINGE ARM ASSEMBLY
2	59 273	ENSEMBLE SECURITE BRAS	LID ARM SAFETY ASSEMBLY
3	501 258S	INTERRUPTEUR SECURITE NORMALEMENT FERME	NORMALLY CLOSED SAFETY SWITCH
4	507 250S	INTERRUPTEUR SECURITE NORMALEMENT OUVERT	NORMALLY OPENED SAFETY SWITCH
5	118 255S	JOINT PLAT DE CHARNIERE	HINGE FLAT SEAL
6	105 912S	CAME INTERRUPTEURS SECURITE	SAFETY SWITCHES CAM
7	118 126S	DOUILLE DE GUIDAGE	BUSHING
8	501 424S	BAGUE ETANCHEITE 20x30x7	SEALING RING 20x30x7
9	119 204S	TUBE DROIT	RIGHT LID TUBE
10	119 205S	TUBE GAUCHE	LEFT LID TUBE
11	59 600	ENSEMBLE BRAS BLIXER	BLIXER BOWL SCRAPER ASSEMBLY
12	59 604	POIGNEE BRAS BLIXER	BLIXER BOWL SCRAPER HANDLE
13	59 605	ESSUIE COUVERCLE	LID WIPER
14	59 219	ENSEMBLE RACLEUR SOUPLE	SOFT SCRAPER ASSEMBLY
15	59 501	ENSEMBLE ESSUIE COUVERCLE	LID WIPER ASSEMBLY
16	59 395	POIGNEE RACLEUR	BLIXER ARM HANDLE
17	59 502	RACLEURS SOUPLES COUVERCLE (Qté = 2)	LID SOFT WIPER (Qty = 2).
18	59 503	SUPPORT ESSUIE COUVERCLE	LID WIPER SUPPORT
19	59 504	ENSEMBLE SUPPORT COUVERCLE	LID SUPPORT ASSEMBLY
20	59 505	SUPPORT COUVERCLE	LID SUPPORT
21	118 132S	INTERRUPTEUR SECURITE COUVERCLE	LID SAFETY SWITCH
22	59 131	ENSEMBLE PINCES BRAS	ARM CLIPS ASSEMBLY
23	57 071	COUTEAU DENTE BLIXER	FINE SERRATED BLIXER BLADE ASSEMBLY
24	105 904S	ECROU COUTEAU AVEC BAGUE PLASTIQUE	BLADE LOCKING NUT WITH PLASTIC WASHER
25	105 906S	RONDELLE PLASTIQUE INTEGREE	INTEGRATED PLASTIC WASHER
26	118 201S	BAGUE COUTEAU 10 mm	BLADE SPACER 10 mm
27	119 131S	BAGUE COUTEAU 81 mm	BLADE SPACER 81 mm
28	118 200S	BAGUE COUTEAU 32 mm	BLADE SPACER 32 mm
29	117 930S	SUPPORT COUTEAU	BLADE SUPPORT
30	118 292S	LAME DENTEE	FINE SERRATED BLADE
31	118 268S	DEMONTE COUTEAU	BLADE DISMANTLING DEVICE
32	119 200S	CLEF DEMONTE COUTEAU	BLADE DISMANTLING WRENCH
33	117 935S	FACE ARRIERE	CASING ACCESS DOOR
34	118 256S	JOINT FACE ARRIERE	CASING ACCESS DOOR SEAL
35	118 127S	FAISCEAU INTERRUPTEUR SECURITE BRAS	LID ARM SAFETY SWITCH HARNESS
36	59 157	ENSEMBLE CLAVIER	CONTROL PANEL ASSEMBLY
37	59 156	ENSEMBLE AXE ARRIERE	BACK TILTING PIVOT ASSEMBLY
38	118 146S	ENTRETOISE AXE ARRIERE	BACK TILTING PIVOT SPACER
39	118 147S	RONDELLE APPUI ARRIERE	BACK THRUST WASHER
40	118 148S	DOUILLE PALIER ARRIERE	BACK BEARING BUSH
41	117 959S	BUTEE BASCULEMENT	TILTING STOP
42	507 250S	INTERRUPTEUR SECURITE BASCULEMENT	TILTING SAFETY SWITCH
43	117 934S	CAISSON	CASING
44	118 186S	PIED ARRIERE	CASING FOOT
45	59 204	ENSEMBLE ROULETTE AR (NM)	REAR CASTOR ASSEMBLY (NM)
46	59 210	ENSEMBLE ROULETTE AR SEULE (NM)	SLANTED CASTOR ASSEMBLY (NM)
47	59 203	ENSEMBLE ROULETTE AV (NM)	FRONT CASTOR ASSEMBLY (NM)
48	59 209	ENSEMBLE ROULETTE AV SEULE (NM)	STRAIGHT CASTOR ASSEMBLY (NM)
49	502 686S	CABLE	POWER CORD
50	515 515S	PASSE FIL	POWER CORD PROTECTOR
51	59 313	CONE DE COUVERCLE	LID FUNNEL
52	59 318	APPUI DE COUVERCLE	LID GUIDE
53	59 272	ENSEMBLE POIGNEE	HANDLE ASSEMBLY
54	119 259S	BUTEE DE CROCHET	LID LATCH RUBBER STOP
55	119 267S	CROCHET	LID LATCH
56	59 517	COUVERCLE	LID


BLIXER 23 A

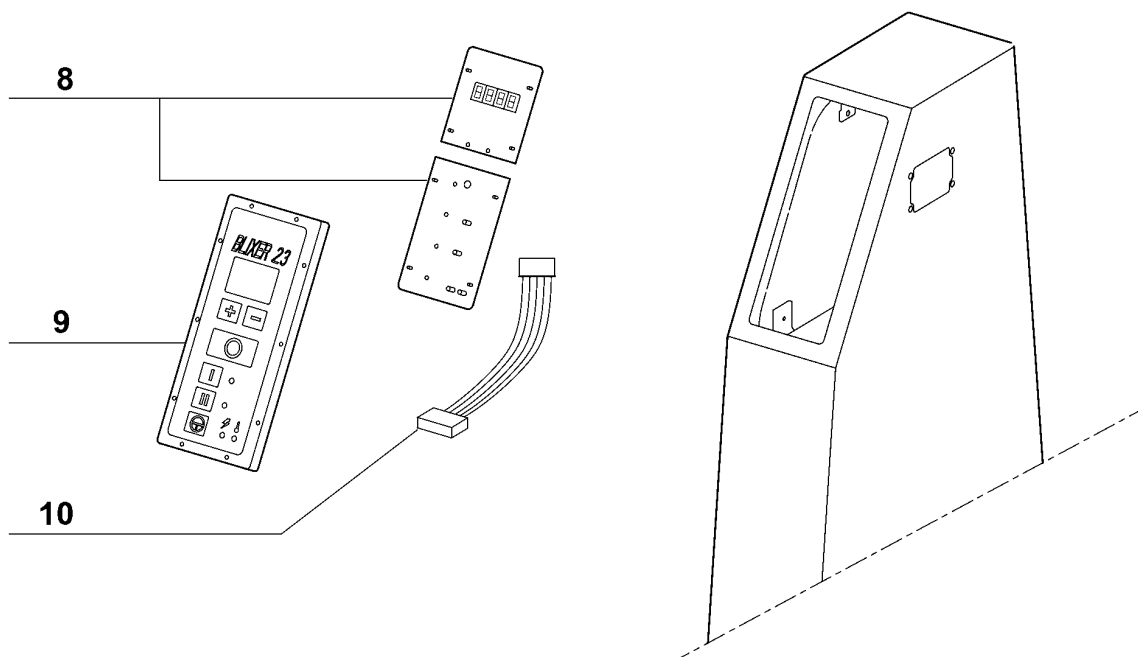
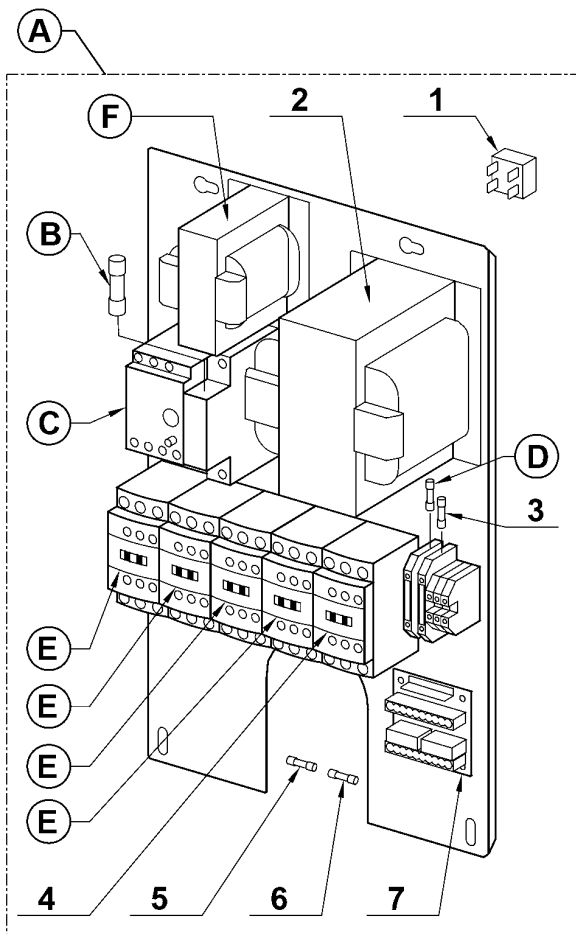
N° de série / Serial number

- 614 - - - - -

Index	Pièce / Part	Désignation	Description
57	119 266S	JOINT DE COUVERCLE	LID SEAL
58	59 155	ENSEMBLE CUVE	BOWL ASSEMBLY
59	118 171S	BOUCHON SECURITE	SAFETY PLUG
60	59 221	ENSEMBLE JOINTS D'ARBRE	SHAFT SEALS ASSEMBLY
61	507 168S	JOINT FACIAL	FACIAL SHAFT SEAL
62	118 153S	JOINT FOND DE CUVE	BOWL SEAL
63	501 105S	BAGUE A LEVRES 30x40x7	SHAFT SEAL 30x40x7
64	507 050S	JOINT TORIQUE 120x3,5 mm	O-RING 120x3.5 mm
65	59 165	ENSEMBLE APPUIS DE CUVE (Qté = 3)	BOWL SUPPORTS ASSEMBLY (Qty = 3)
66	118 595S	APPUI CUVE PLASTIQUE	PLASTIC BOWL SUPPORT
67	117 922S	DOUILLE PORTE JOINTS	SEALS SOCKET
68	118 151S	JUPE HAUTE	UPPER MOTOR COVER
69	118 155S	DEFLECTEUR MOTEUR	MOTOR DEFLECTOR
70	59 197	ENSEMBLE SUPPORT MOTEUR	MOTOR SUPPORT ASSEMBLY
71	118 157S	ENSEMBLE INTERRUPTEUR SECURITE CUVE	BOWL SAFETY SWITCH ASSEMBLY
72	119 199S	INTERRUPTEUR SECURITE CUVE	BOWL SAFETY SWITCH
73	119 194S	FAISCEAU INTERRUPTEUR SECURITE CUVE	BOWL SAFETY SWITCH HARNESS
74	59 223	ENSEMBLE CAVALIER AXE BASCULEMENT	TILTING PIVOT STAPLE ASSEMBLY
75	118 296S	JUPE BASSE	LOWER MOTOR COVER
76	118 150S	DOUILLE MANCHON	SLEEVE BUSH
77	118 156S	MANCHON 87 mm	SLEEVE 87 mm
78	59 137	ENSEMBLE AXE AVANT	FRONT TILTING PIVOT ASSEMBLY
79	118 189S	PIEtement	STAND
80	117 958S	PIED AVANT	FRONT FOOT
81	59 138	ENSEMBLE LEVIER DE SERRAGE	LOCKING LEVER ASSEMBLY
82	118 142S	POIGNEE DE BASCULEMENT	TILTING HANDLE
83	208 582S	GOUPILLE AXE DE BASCULEMENT	TILTING SHAFT PIN
84	59 439	KIT BAGUE MOTEUR	MOTOR SLEEVE KIT
85	118 143S	RONDELLE D'APPUI AVANT	FRONT THRUST WASHER
86	118 144S	DOUILLE PALIER AVANT	FRONT BEARING BUSH
87	118 166S	ECROU REGLAGE BASCULEMENT	TILTING ADJUSTING NUT
88	117 956S	BOUCHON	COVER
89	59 493	ENSEMBLE COUVERCLE ET JOINT	LID AND GASKET ASSEMBLY

Index	Désignation	Description
A	PLATINE DE PUISSANCE	POWER CONTROL BOARD
M	MOTEUR	MOTOR

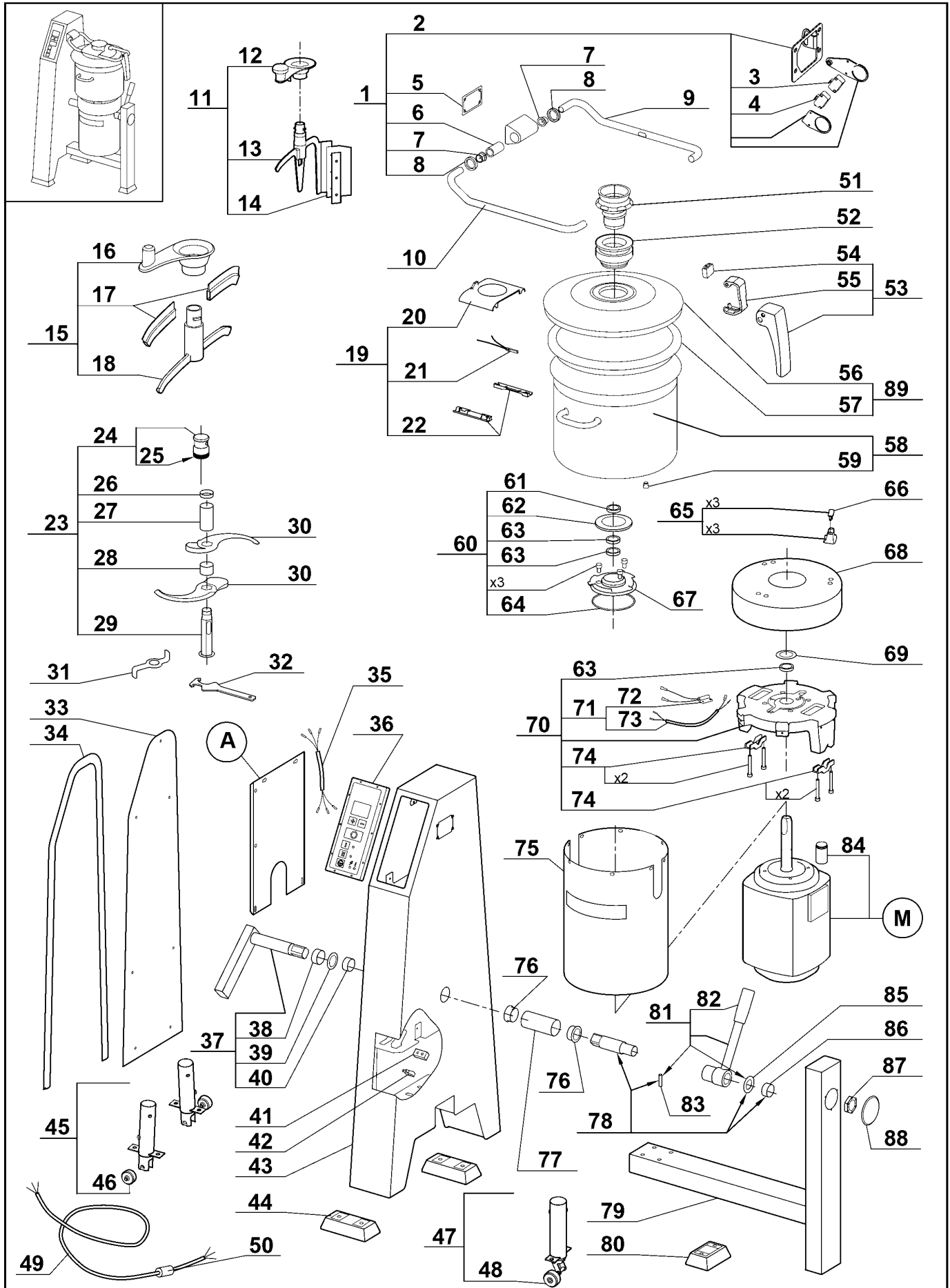
Machine	Voltage	A	M
51 341	400/50/3	117 987	303 062S
51 345	230/50/3	117 989	303 109S



<i>index</i>	<i>Pièce / Part</i>	<i>Désignation</i>	<i>Description</i>
1	511 620S	PONT DE DIODES	RECTIFIER BRIDGE
2	503 353S	TRANSFORMATEUR 48V	TRANSFORMER 48V
3	500 537S	FUSIBLE PRIMAIRE 9/24V	PRIMARY FUSE 9/24V
4	507 174S	CONTACTEUR	CONTACTOR
5	504 253S	FUSIBLE SECONDAIRE 9V	SECONDARY FUSE 9V
6	503 106S	FUSIBLE SECONDAIRE 24V	SECONDARY FUSE 24V
7	117 980S	CARTE DE CONNEXION	CONNECTING BOARD
8	59 482	CARTE DE COMMANDE + TIMER	CONTROL + TIMER BOARD KIT
9	59 154	ENSEMBLE CLAVIER DE COMMANDE	CONTROL PANEL ASSEMBLY
10	117 982S	LIMANDE DE LIAISON	LINK CABLE

<i>Index</i>	<i>Désignation</i>	<i>Description</i>
A	PLATINE DE PUISSANCE	POWER CONTROL BOARD
B	FUSIBLE DE FREINAGE	BRACKING CIRCUIT FUSE
C	RELAIS THERMIQUE	THERMAL OVERLOAD RELAY
D	FUSIBLE PRIMAIRE 48V	PRIMARY FUSE 48V
E	CONTACTEUR	CONTACTOR
F	TRANSFORMATEUR DE COMMANDE	CONTROL TRANSFORMER

Machine	Voltage	A	B	C	D	E	F
51 341	400/50/3	117 987	503 355S	503 354S	500 537S	503 363S	503 352S
51 345	230/50/3	117 989	503 356S	503 376S	503 108S	503 364S	507 200S



Index	Pièce / Part	Désignation	Description
1	59 128	ENSEMBLE CHARNIERE SECURITE BRAS	HINGE ARM ASSEMBLY
2	59 273	ENSEMBLE SECURITE BRAS	LID ARM SAFETY ASSEMBLY
3	501 258S	INTERRUPTEUR SECURITE NORMALEMENT FERME	NORMALLY CLOSED SAFETY SWITCH
4	507 250S	INTERRUPTEUR SECURITE NORMALEMENT OUVERT	NORMALLY OPENED SAFETY SWITCH
5	118 255S	JOINT PLAT DE CHARNIERE	HINGE FLAT SEAL
6	105 912S	CAME INTERRUPTEURS SECURITE	SAFETY SWITCHES CAM
7	118 126S	DOUILLE DE GUIDAGE	BUSHING
8	501 424S	BAGUE ETANCHEITE 20x30x7	SEALING RING 20x30x7
9	119 204S	TUBE DROIT	RIGHT LID TUBE
10	119 205S	TUBE GAUCHE	LEFT LID TUBE
11	59 601	ENSEMBLE BRAS BLIXER	BLIXER BOWL SCRAPER ASSEMBLY
12	59 604	POIGNEE BRAS BLIXER	BLIXER BOWL SCRAPER HANDLE
13	59 606	ESSUIE COUVERCLE	LID WIPER
14	59 219	ENSEMBLE RACLEUR SOUPLE	SOFT SCRAPER ASSEMBLY
15	59 506	ENSEMBLE ESSUIE COUVERCLE	LID WIPER ASSEMBLY
16	59 395	POIGNEE RACLEUR	BLIXER ARM HANDLE
17	59 507	RACLEURS SOUPLES COUVERCLE (Qté = 2)	LID SOFT WIPER (Qty = 2).
18	59 508	SUPPORT ESSUIE COUVERCLE	LID WIPER SUPPORT
19	59 504	ENSEMBLE SUPPORT COUVERCLE	LID SUPPORT ASSEMBLY
20	59 505	SUPPORT COUVERCLE	LID SUPPORT
21	118 132S	INTERRUPTEUR SECURITE COUVERCLE	LID SAFETY SWITCH
22	59 131	ENSEMBLE PINCES BRAS	ARM CLIPS ASSEMBLY
23	57 076	COUTEAU DENTE BLIXER	FINE SERRATED BLIXER BLADE ASSEMBLY
24	105 904S	ECROU COUTEAU AVEC BAGUE PLASTIQUE	BLADE LOCKING NUT WITH PLASTIC WASHER
25	105 906S	RONDELLE PLASTIQUE INTEGREE	INTEGRATED PLASTIC WASHER
26	118 201S	BAGUE COUTEAU 10 mm	BLADE SPACER 10 mm
27	119 131S	BAGUE COUTEAU 81 mm	BLADE SPACER 81 mm
28	118 200S	BAGUE COUTEAU 32 mm	BLADE SPACER 32 mm
29	117 930S	SUPPORT COUTEAU	BLADE SUPPORT
30	118 241S	LAME DENTEE	FINE SERRATED BLADE
31	118 268S	DEMONTE COUTEAU	BLADE DISMANTLING DEVICE
32	119 200S	CLEF DEMONTE COUTEAU	BLADE DISMANTLING WRENCH
33	117 935S	FACE ARRIERE	CASING ACCESS DOOR
34	118 256S	JOINT FACE ARRIERE	CASING ACCESS DOOR SEAL
35	118 127S	FAISCEAU INTERRUPTEUR SECURITE BRAS	LID ARM SAFETY SWITCH HARNESS
36	59 140	ENSEMBLE CLAVIER	CONTROL PANEL ASSEMBLY
37	59 135	ENSEMBLE AXE ARRIERE	BACK TILTING PIVOT ASSEMBLY
38	118 146S	ENTRETOISE AXE ARRIERE	BACK TILTING PIVOT SPACER
39	118 147S	RONDELLE APPUI ARRIERE	BACK THRUST WASHER
40	118 148S	DOUILLE PALIER ARRIERE	BACK BEARING BUSH
41	117 959S	BUTEE BASCULEMENT	TILTING STOP
42	507 007S	INTERRUPTEUR SECURITE BASCULEMENT	TILTING SAFETY SWITCH
43	117 934S	CAISSON	CASING
44	118 186S	PIED ARRIERE	CASING FOOT
45	59 204	ENSEMBLE ROULETTE AR (NM)	REAR CASTOR ASSEMBLY (NM)
46	59 210	ENSEMBLE ROULETTE AR SEULE (NM)	SLANTED CASTOR ASSEMBLY (NM)
47	59 203	ENSEMBLE ROULETTE AV (NM)	FRONT CASTOR ASSEMBLY (NM)
48	59 209	ENSEMBLE ROULETTE AV SEULE (NM)	STRAIGHT CASTOR ASSEMBLY (NM)
49	502 687S	CABLE	POWER CORD
50	501 773S	PASSE FIL	POWER CORD PROTECTOR
51	59 313	CONE DE COUVERCLE	LID FUNNEL
52	59 318	APPUI DE COUVERCLE	LID GUIDE
53	59 272	ENSEMBLE POIGNEE	HANDLE ASSEMBLY
54	119 259S	BUTEE DE CROCHET	LID LATCH RUBBER STOP
55	119 267S	CROCHET	LID LATCH
56	59 518	COUVERCLE	LID



BLIXER 30 A

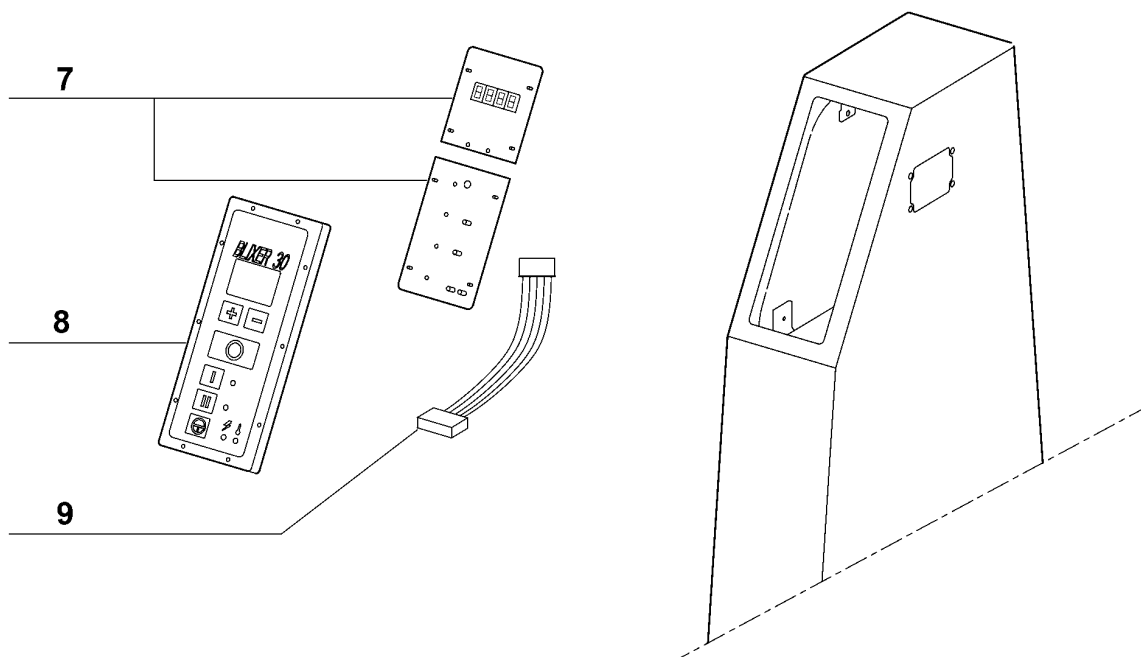
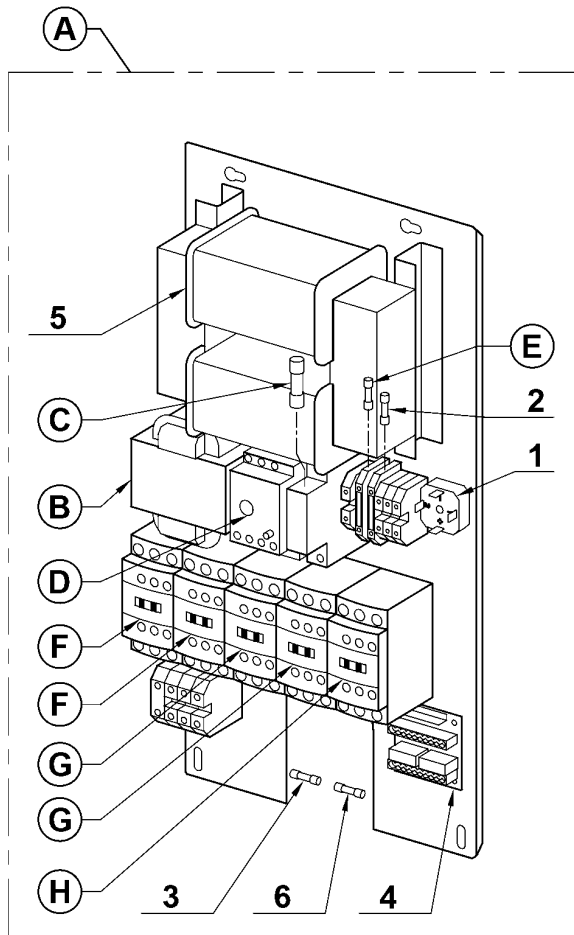
N° de série / Serial number

- 615 - - - - -

Index	Pièce / Part	Désignation	Description
57	119 266S	JOINT DE COUVERCLE	LID SEAL
58	59 132	ENSEMBLE CUVE	BOWL ASSEMBLY
59	118 171S	BOUCHON SECURITE	SAFETY PLUG
60	59 221	ENSEMBLE JOINTS D'ARBRE	SHAFT SEALS ASSEMBLY
61	507 168S	JOINT FACIAL	FACIAL SHAFT SEAL
62	118 153S	JOINT FOND DE CUVE	BOWL SEAL
63	501 105S	BAGUE A LEVRES 30x40x7	SHAFT SEAL 30x40x7
64	507 050S	JOINT TORIQUE 120x3,5 mm	O-RING 120x3.5 mm
65	59 165	ENSEMBLE APPUIS DE CUVE (Qté = 3)	BOWL SUPPORTS ASSEMBLY (Qty = 3)
66	118 595S	APPUI CUVE PLASTIQUE	PLASTIC BOWL SUPPORT
67	117 922S	DOUILLE PORTE JOINTS	SEALS SOCKET
68	118 151S	JUPE HAUTE	UPPER MOTOR COVER
69	118 155S	DEFLECTEUR MOTEUR	MOTOR DEFLECTOR
70	59 197	ENSEMBLE SUPPORT MOTEUR	MOTOR SUPPORT ASSEMBLY
71	118 157S	ENSEMBLE INTERRUPTEUR SECURITE CUVE	BOWL SAFETY SWITCH ASSEMBLY
72	119 199S	INTERRUPTEUR SECURITE CUVE	BOWL SAFETY SWITCH
73	119 194S	FAISCEAU INTERRUPTEUR SECURITE CUVE	BOWL SAFETY SWITCH HARNESS
74	59 223	ENSEMBLE CAVALIER AXE BASCULEMENT	TILTING PIVOT STAPLE ASSEMBLY
75	118 296S	JUPE BASSE	LOWER MOTOR COVER
76	118 150S	DOUILLE MANCHON	SLEEVE BUSH
77	118 149S	MANCHON 107 mm	SLEEVE 107 mm
78	59 137	ENSEMBLE AXE AVANT	FRONT TILTING PIVOT ASSEMBLY
79	117 936S	PIEtement	STAND
80	117 958S	PIED AVANT	FRONT FOOT
81	59 138	ENSEMBLE LEVIER DE SERRAGE	LOCKING LEVER ASSEMBLY
82	118 142S	POIGNEE DE BASCULEMENT	TILTING HANDLE
83	208 582S	GOUPILLE AXE DE BASCULEMENT	TILTING SHAFT PIN
84	59 439	KIT BAGUE MOTEUR	MOTOR SLEEVE KIT
85	118 143S	RONDELLE D'APPUI AVANT	FRONT THRUST WASHER
86	118 144S	DOUILLE PALIER AVANT	FRONT BEARING BUSH
87	118 166S	ECROU REGLAGE BASCULEMENT	TILTING ADJUSTING NUT
88	117 956S	BOUCHON	COVER
89	59 494	ENSEMBLE COUVERCLE ET JOINT	LID AND GASKET ASSEMBLY

Index	Désignation	Description
A	PLATINE DE PUISSANCE	POWER CONTROL BOARD
M	MOTEUR	MOTOR

Machine	Voltage	A	M
52 341	400/50/3	119 178	303 134S
52 345	230/50/3	119 179	303 138S

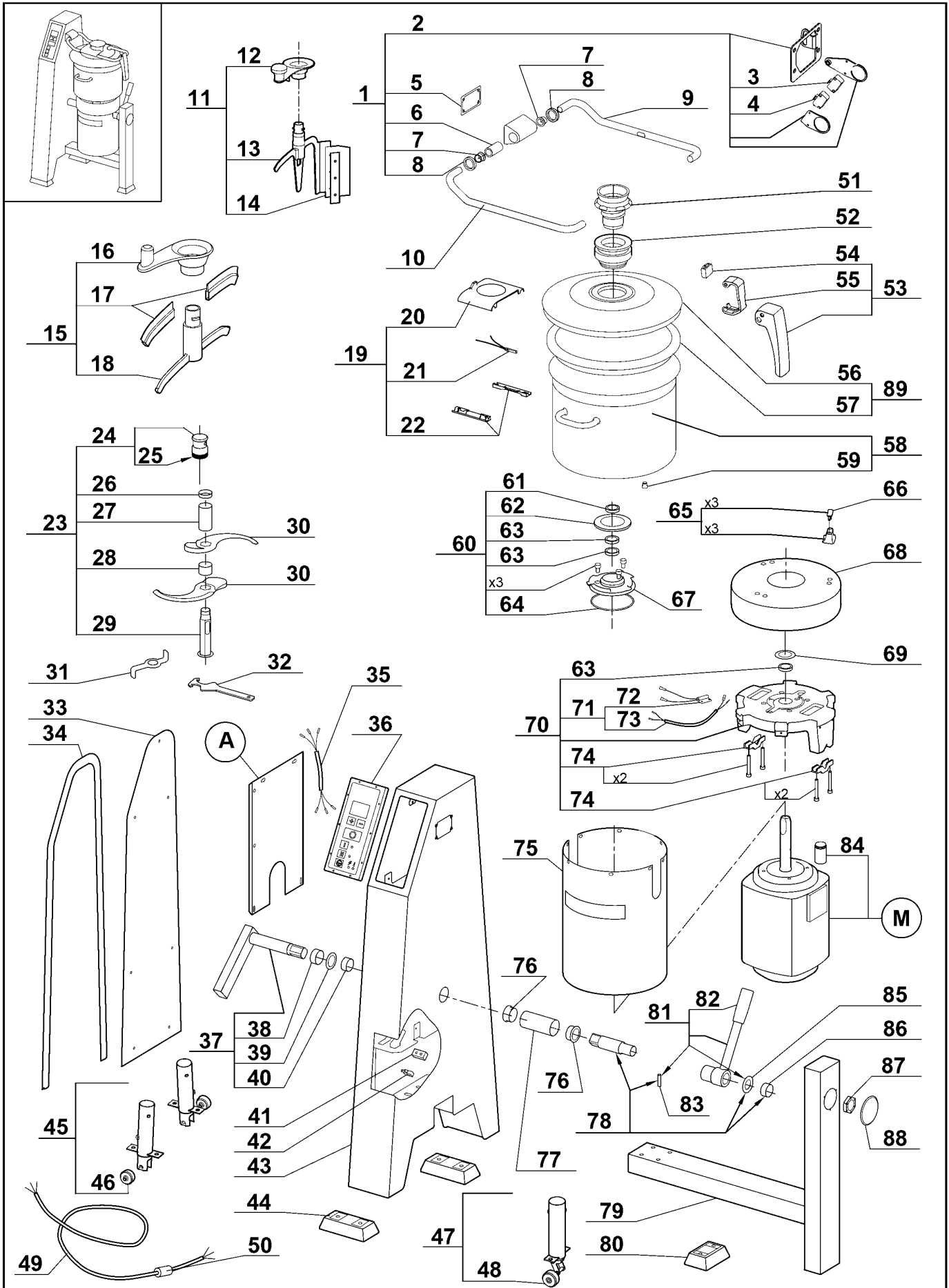


Index	Pièce / Part	Désignation	Description
1	511 620S	PONT DE DIODES	RECTIFIER BRIDGE
2	500 537S	FUSIBLE PRIMAIRE 9/24V	PRIMARY FUSE 9/24V
3	504 253S	FUSIBLE SECONDAIRE 9V	SECONDARY FUSE 9V
4	117 980S	CARTE DE CONNEXION	CONNECTING BOARD
5	503 971S	TRANSFORMATEUR 48V	TRANSFORMER 48V
6	507 121S	FUSIBLE SECONDAIRE 24V	SECONDARY FUSE 24V
7	59 482	CARTE DE COMMANDE + TIMER	CONTROL + TIMER BOARD KIT
8	59 140	ENSEMBLE CLAVIER DE COMMANDE	CONTROL PANEL ASSEMBLY
9	117 982S	LIMANDE DE LIAISON	LINK CABLE

Index	Désignation	Description
A	PLATINE DE PUISSANCE	POWER CONTROL BOARD
B	TRANSFORMATEUR DE COMMANDE	CONTROL TRANSFORMER
C	FUSIBLE DE FREINAGE	BRAKING CIRCUIT FUSE
D	RELAIS THERMIQUE	THERMAL OVERLOAD RELAY
E	FUSIBLE PRIMAIRE 48V	PRIMARY FUSE 48V
F	CONTACTEUR	CONTACTOR
G	CONTACTEUR	CONTACTOR
H	CONTACTEUR	CONTACTOR

Machine	Voltage	A	B	C	D
52 341	400/50/3	119 178	503 970S	503 356S	503 960S
52 345	230/50/3	119 179	507 200S	502 495S	503 376S

Machine	Voltage	E	F	G	H
52 341	400/50/3	503 106S	503 363S	503 364S	507 174S
52 345	230/50/3	504 257S	503 362S		



Index	Pièce / Part	Désignation	Description
1	59 128	ENSEMBLE CHARNIERE SECURITE BRAS	HINGE ARM ASSEMBLY
2	59 273	ENSEMBLE SECURITE BRAS	LID ARM SAFETY ASSEMBLY
3	501 258S	INTERRUPTEUR SECURITE NORMALEMENT FERME	NORMALLY CLOSED SAFETY SWITCH
4	507 250S	INTERRUPTEUR SECURITE NORMALEMENT OUVERT	NORMALLY OPENED SAFETY SWITCH
5	118 255S	JOINT PLAT DE CHARNIERE	HINGE FLAT SEAL
6	105 912S	CAME INTERRUPTEURS SECURITE	SAFETY SWITCHES CAM
7	118 126S	DOUILLE DE GUIDAGE	BUSHING
8	501 424S	BAGUE ETANCHEITE 20x30x7	SEALING RING 20x30x7
9	119 204S	TUBE DROIT	RIGHT LID TUBE
10	119 205S	TUBE GAUCHE	LEFT LID TUBE
11	59 602	ENSEMBLE BRAS BLIXER	BLIXER BOWL SCRAPER ASSEMBLY
12	59 604	POIGNEE BRAS BLIXER	BLIXER BOWL SCRAPER HANDLE
13	59 607	ESSUIE COUVERCLE	LID WIPER
14	59 220	ENSEMBLE RACLEUR SOUPLE	SOFT SCRAPER ASSEMBLY
15	59 511	ENSEMBLE ESSUIE COUVERCLE	LID WIPER ASSEMBLY
16	59 395	POIGNEE RACLEUR	BLIXER ARM HANDLE
17	59 512	RACLEURS SOUPLES COUVERCLE (Qté = 2)	LID SOFT WIPER (Qty = 2).
18	59 513	SUPPORT ESSUIE COUVERCLE	LID WIPER SUPPORT
19	59 504	ENSEMBLE SUPPORT COUVERCLE	LID SUPPORT ASSEMBLY
20	59 505	SUPPORT COUVERCLE	LID SUPPORT
21	118 132S	INTERRUPTEUR SECURITE COUVERCLE	LID SAFETY SWITCH
22	59 131	ENSEMBLE PINCES BRAS	ARM CLIPS ASSEMBLY
23	57 083	COUTEAU DENTE BLIXER	FINE SERRATED BLIXER BLADE ASSEMBLY
24	105 905S	ECROU COUTEAU AVEC BAGUE PLASTIQUE	BLADE LOCKING NUT WITH PLASTIC WASHER
25	105 907S	RONDELLE PLASTIQUE INTEGREE	INTEGRATED PLASTIC WASHER
26	118 204S	BAGUE COUTEAU 14 mm	BLADE SPACER 14 mm
27	119 132S	BAGUE COUTEAU 111 mm	BLADE SPACER 111 mm
28	118 205S	BAGUE COUTEAU 43 mm	BLADE SPACER 43 mm
29	117 932S	SUPPORT COUTEAU	BLADE SUPPORT
30	118 243S	LAME DENTEE	FINE SERRATED BLADE
31	118 268S	DEMONTE COUTEAU	BLADE DISMANTLING DEVICE
32	119 200S	CLEF DEMONTE COUTEAU	BLADE DISMANTLING WRENCH
33	117 940S	FACE ARRIERE	CASING ACCESS DOOR
34	118 257S	JOINT FACE ARRIERE	CASING ACCESS DOOR SEAL
35	118 127S	FAISCEAU INTERRUPTEUR SECURITE BRAS	LID ARM SAFETY SWITCH HARNESS
36	59 146	ENSEMBLE CLAVIER	CONTROL PANEL ASSEMBLY
37	59 135	ENSEMBLE AXE ARRIERE	BACK TILTING PIVOT ASSEMBLY
38	118 146S	ENTRETOISE AXE ARRIERE	BACK TILTING PIVOT SPACER
39	118 147S	RONDELLE APPUI ARRIERE	BACK THRUST WASHER
40	118 148S	DOUILLE PALIER ARRIERE	BACK BEARING BUSH
41	117 959S	BUTEE BASCULEMENT	TILTING STOP
42	507 250S	INTERRUPTEUR SECURITE BASCULEMENT	TILTING SAFETY SWITCH
43	117 939S	CAISSON	CASING
44	118 186S	PIED ARRIERE	CASING FOOT
45	59 204	ENSEMBLE ROULETTE AR (NM)	REAR CASTOR ASSEMBLY (NM)
46	59 210	ENSEMBLE ROULETTE AR SEULE (NM)	SLANTED CASTOR ASSEMBLY (NM)
47	59 203	ENSEMBLE ROULETTE AV (NM)	FRONT CASTOR ASSEMBLY (NM)
48	59 209	ENSEMBLE ROULETTE AV SEULE (NM)	STRAIGHT CASTOR ASSEMBLY (NM)
49	101 043S	CABLE	POWER CORD
50	59 167	PASSE FIL	POWER CORD PROTECTOR
51	59 313	CONE DE COUVERCLE	LID FUNNEL
52	59 318	APPUI DE COUVERCLE	LID GUIDE
53	59 272	ENSEMBLE POIGNEE	HANDLE ASSEMBLY
54	119 259S	BUTEE DE CROCHET	LID LATCH RUBBER STOP
55	119 267S	CROCHET	LID LATCH
56	59 519	COUVERCLE	LID



BLIXER 45 A

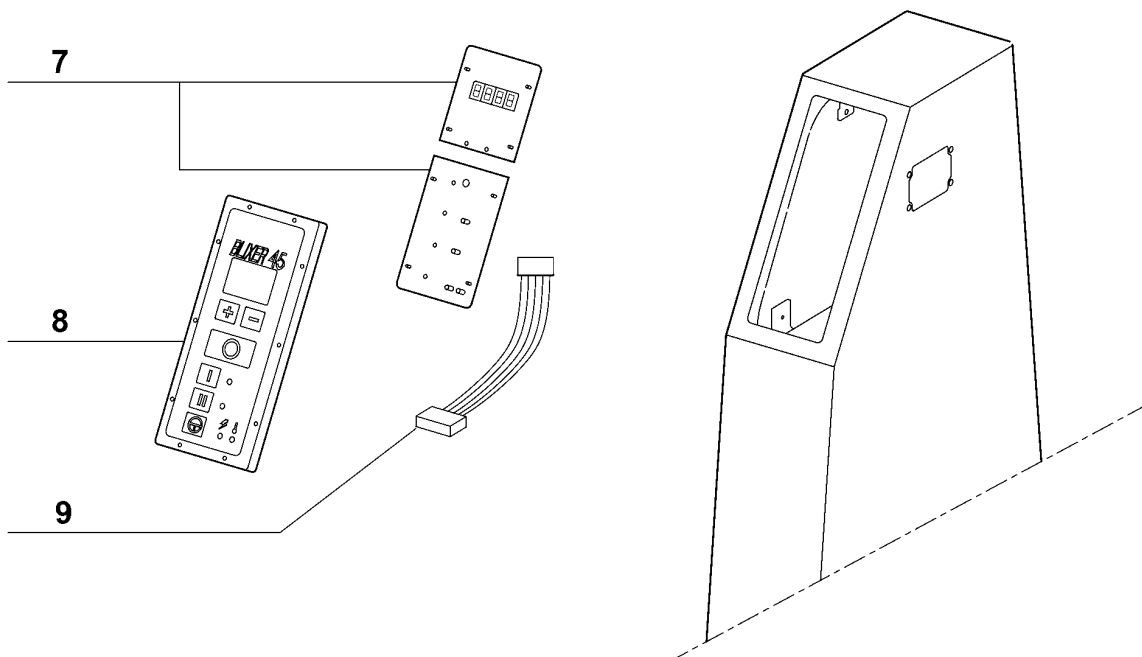
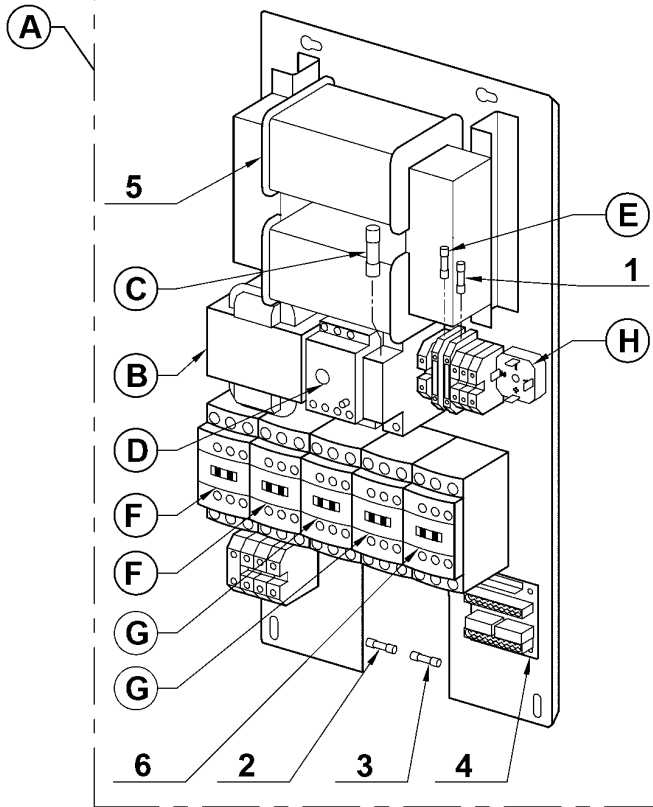
N° de série / Serial number

- 616 - - - - -

Index	Pièce / Part	Désignation	Description
57	119 266S	JOINT DE COUVERCLE	LID SEAL
58	59 142	ENSEMBLE CUVE	BOWL ASSEMBLY
59	118 171S	BOUCHON SECURITE	SAFETY PLUG
60	59 222	ENSEMBLE JOINTS D'ARBRE	SHAFT SEALS ASSEMBLY
61	59 168	JOINT FACIAL	FACIAL SHAFT SEAL
62	118 153S	JOINT FOND DE CUVE	BOWL SEAL
63	507 054S	BAGUE A LEVRES 40x52x7	SHAFT SEAL 40x52x7
64	507 050S	JOINT TORIQUE 120x3,5 mm	O-RING 120x3.5 mm
65	59 165	ENSEMBLE APPUIS DE CUVE (Qté = 3)	BOWL SUPPORTS ASSEMBLY (Qty = 3)
66	118 595S	APPUI CUVE PLASTIQUE	PLASTIC BOWL SUPPORT
67	117 928S	DOUILLE PORTE JOINTS	SEALS SOCKET
68	118 175S	JUPE HAUTE	UPPER MOTOR COVER
69	118 174S	DEFLECTEUR MOTEUR	MOTOR DEFLECTOR
70	59 198	ENSEMBLE SUPPORT MOTEUR	MOTOR SUPPORT ASSEMBLY
71	118 157S	ENSEMBLE INTERRUPTEUR SECURITE CUVE	BOWL SAFETY SWITCH ASSEMBLY
72	119 199S	INTERRUPTEUR SECURITE CUVE	BOWL SAFETY SWITCH
73	119 194S	FAISCEAU INTERRUPTEUR SECURITE CUVE	BOWL SAFETY SWITCH HARNESS
74	59 223	ENSEMBLE CAVALIER AXE BASCULEMENT	TILTING PIVOT STAPLE ASSEMBLY
75	118 297S	JUPE BASSE	LOWER MOTOR COVER
76	118 150S	DOUILLE MANCHON	SLEEVE BUSH
77	118 149S	MANCHON 107 mm	SLEEVE 107 mm
78	59 137	ENSEMBLE AXE AVANT	FRONT TILTING PIVOT ASSEMBLY
79	117 941S	PIEtement	STAND
80	117 958S	PIED AVANT	FRONT FOOT
81	59 138	ENSEMBLE LEVIER DE SERRAGE	LOCKING LEVER ASSEMBLY
82	118 142S	POIGNEE DE BASCULEMENT	TILTING HANDLE
83	208 582S	GOUPILLE AXE DE BASCULEMENT	TILTING SHAFT PIN
84	59 440	KIT BAGUE MOTEUR	MOTOR SLEEVE KIT
85	118 143S	RONDELLE D'APPUI AVANT	FRONT THRUST WASHER
86	118 144S	DOUILLE PALIER AVANT	FRONT BEARING BUSH
87	118 166S	ECROU REGLAGE BASCULEMENT	TILTING ADJUSTING NUT
88	117 956S	BOUCHON	COVER
89	59 495	ENSEMBLE COUVERCLE ET JOINT	LID AND GASKET ASSEMBLY

Index	Désignation	Description
A	PLATINE DE PUISSANCE	POWER CONTROL BOARD
M	MOTEUR	MOTOR

Machine	Voltage	A	M
53 341	400/50/3	117 995	303 064S
53 345	230/50/3	117 326	303 111S

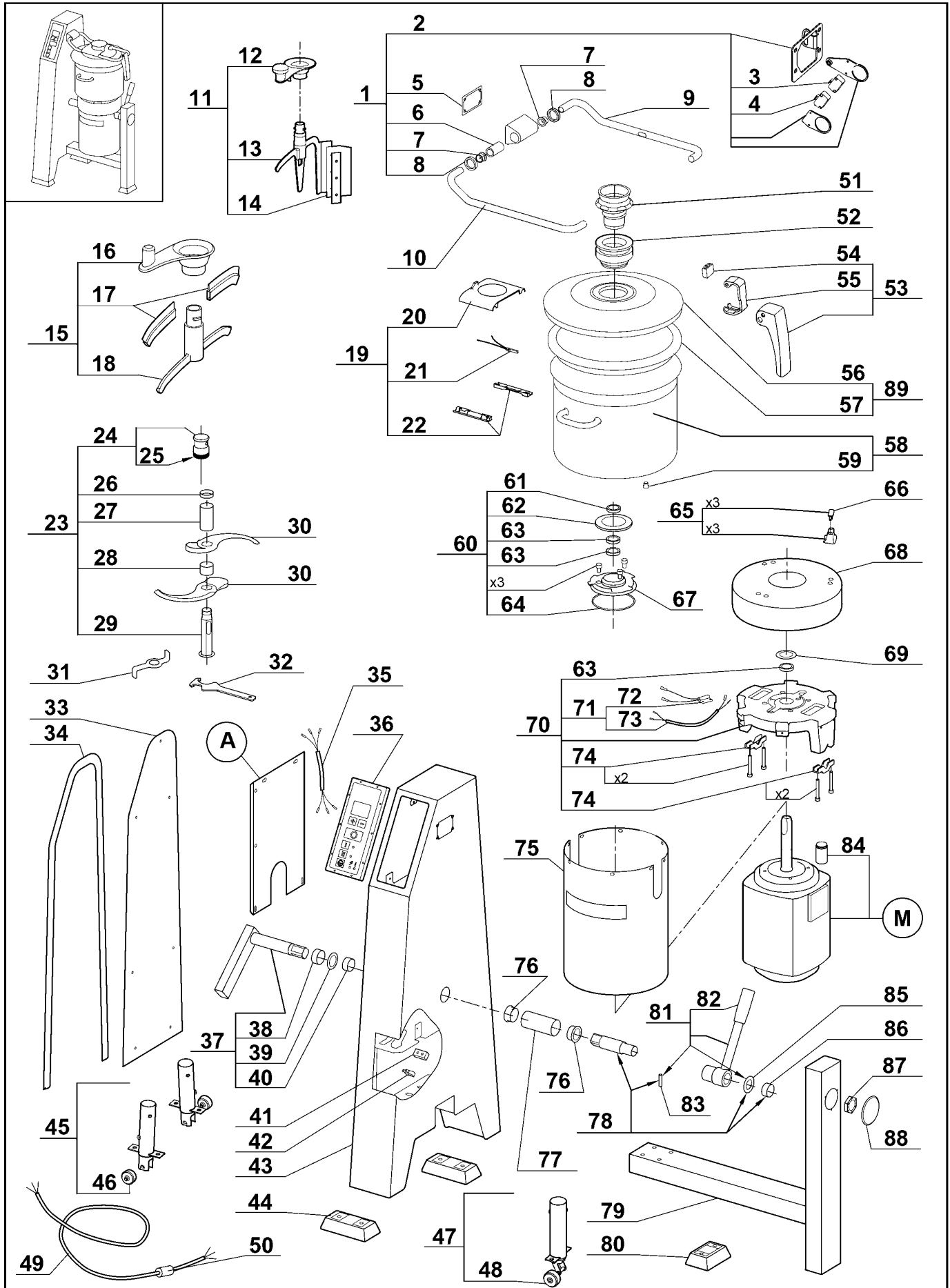


Inde	Pièce / Part	Désignation	Description
1	500 537S	FUSIBLE PRIMAIRE 9/24V	PRIMARY FUSE 9/24V
2	504 253S	FUSIBLE SECONDAIRE 9V	SECONDARY FUSE 9V
3	507 121S	FUSIBLE SECONDAIRE 24V	SECONDARY FUSE 24V
4	117 980S	CARTE DE CONNEXION	CONNECTING BOARD
5	503 973S	TRANSFORMATEUR 48V	TRANSFORMER 48V
6	603 362S	CONTACTEUR	CONTACTOR
7	59 482	CARTE DE COMMANDE + TIMER	CONTROL + TIMER BOARD KIT
8	59 146	ENSEMBLE CLAVIER DE COMMANDE	CONTROL PANEL ASSEMBLY
9	117 982S	LIMANDE DE LIAISON	LINK CABLE

Index	Désignation	Description
A	PLATINE DE PUISSANCE	POWER CONTROL BOARD
B	TRANSFORMATEUR DE COMMANDE	CONTROL TRANSFORMER
C	FUSIBLE DE FREINAGE	BRAKING CIRCUIT FUSE
D	RELAIS THERMIQUE	THERMAL OVERLOAD RELAY
E	FUSIBLE PRIMAIRE 48V	PRIMARY FUSE 48V
F	CONTACTEUR	CONTACTOR
G	CONTACTEUR	CONTACTOR
H	PONT DE DIODES	TRANSFORMER

Machine	Voltage	A	B	C	D
53 341	400/50/3	117 995	503 972S	503 356S	503 376S
53 345	230/50/3	117 326	507 200S	502 098S	503 961S

Machine	Voltage	E	F	G	H
53 341	400/50/3	503 108S	503 362S		511 620S
53 345	230/50/3	504 258S	503 969S	503 688S	511 622S

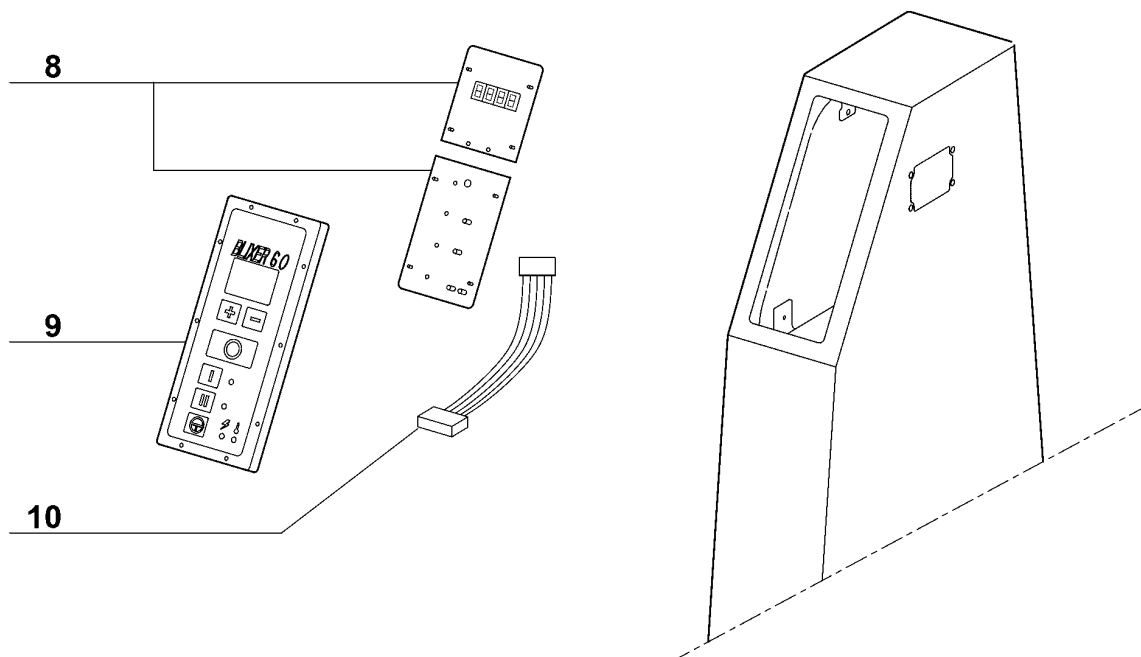
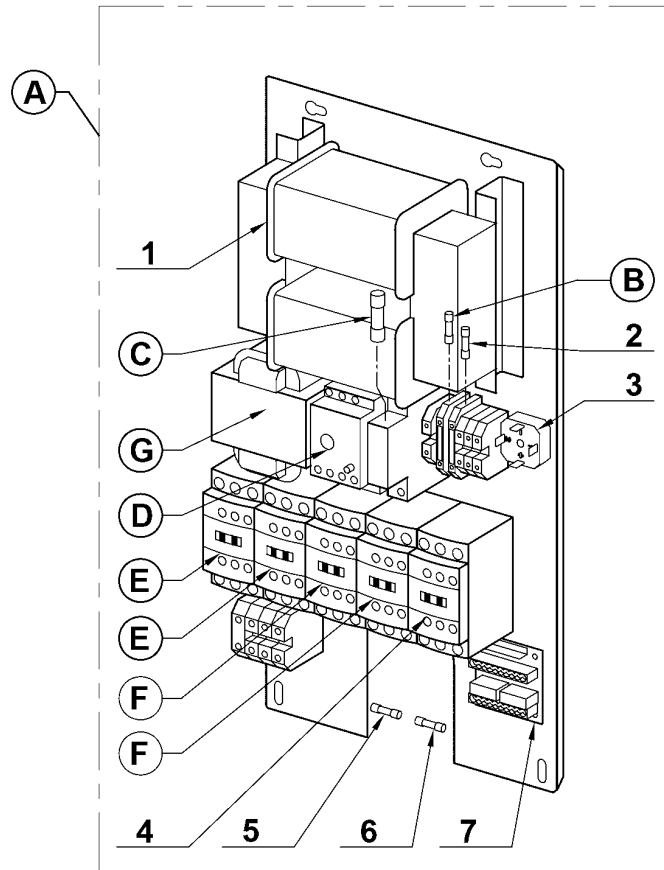


<i>Index</i>	<i>Pièce / Part</i>	<i>Désignation</i>	<i>Description</i>
1	59 128	ENSEMBLE CHARNIERE SECURITE BRAS	HINGE ARM ASSEMBLY
2	59 273	ENSEMBLE SECURITE BRAS	LID ARM SAFETY ASSEMBLY
3	501 258S	INTERRUPTEUR SECURITE NORMALEMENT FERME	NORMALLY CLOSED SAFETY SWITCH
4	507 250S	INTERRUPTEUR SECURITE NORMALEMENT OUVERT	NORMALLY OPENED SAFETY SWITCH
5	118 255S	JOINT PLAT DE CHARNIERE	HINGE FLAT SEAL
6	105 912S	CAME INTERRUPTEURS SECURITE	SAFETY SWITCHES CAM
7	118 126S	DOUILLE DE GUIDAGE	BUSHING
8	501 424S	BAGUE ETANCHEITE 20x30x7	SEALING RING 20x30x7
9	119 204S	TUBE DROIT	RIGHT LID TUBE
10	119 205S	TUBE GAUCHE	LEFT LID TUBE
11	59 603	ENSEMBLE BRAS BLIXER	BLIXER BOWL SCRAPER ASSEMBLY
12	59 604	POIGNEE BRAS BLIXER	BLIXER BOWL SCRAPER HANDLE
13	59 608	ESSUIE COUVERCLE	LID WIPER
14	59 220	ENSEMBLE RACLEUR SOUPLE	SOFT SCRAPER ASSEMBLY
15	59 514	ENSEMBLE ESSUIE COUVERCLE	LID WIPER ASSEMBLY
16	59 395	POIGNEE RACLEUR	BLIXER ARM HANDLE
17	59 515	RACLEURS SOUPLES COUVERCLE (Qté = 2)	LID SOFT WIPER (Qty = 2).
18	59 516	SUPPORT ESSUIE COUVERCLE	LID WIPER SUPPORT
19	59 504	ENSEMBLE SUPPORT COUVERCLE	LID SUPPORT ASSEMBLY
20	59 505	SUPPORT COUVERCLE	LID SUPPORT
21	118 132S	INTERRUPTEUR SECURITE COUVERCLE	LID SAFETY SWITCH
22	59 131	ENSEMBLE PINCES BRAS	ARM CLIPS ASSEMBLY
23	57 093	COUTEAU DENTE BLIXER	FINE SERRATED BLIXER BLADE ASSEMBLY
24	105 905S	ECROU COUTEAU AVEC BAGUE PLASTIQUE	BLADE LOCKING NUT WITH PLASTIC WASHER
25	105 907S	RONDELLE PLASTIQUE INTEGREE	INTEGRATED PLASTIC WASHER
26	118 204S	BAGUE COUTEAU 14 mm	BLADE SPACER 14 mm
27	119 132S	BAGUE COUTEAU 111 mm	BLADE SPACER 111 mm
28	118 205S	BAGUE COUTEAU 43 mm	BLADE SPACER 43 mm
29	117 932	SUPPORT COUTEAU	BLADE SUPPORT
30	118 245S	LAME DENTEE	FINE SERRATED BLADE
31	118 268S	DEMONTE COUTEAU	BLADE DISMANTLING DEVICE
32	119 200S	CLEF DEMONTE COUTEAU	BLADE DISMANTLING WRENCH
33	117 940S	FACE ARRIERE	CASING ACCESS DOOR
34	118 257S	JOINT FACE ARRIERE	CASING ACCESS DOOR SEAL
35	118 127S	FAISCEAU INTERRUPTEUR SECURITE BRAS	LID ARM SAFETY SWITCH HARNESS
36	59 152	ENSEMBLE CLAVIER	CONTROL PANEL ASSEMBLY
37	59 162	ENSEMBLE AXE ARRIERE	BACK TILTING PIVOT ASSEMBLY
38	118 146S	ENTRETOISE AXE ARRIERE	BACK TILTING PIVOT SPACER
39	118 147S	RONDELLE APPUI ARRIERE	BACK THRUST WASHER
40	118 148S	DOUILLE PALIER ARRIERE	BACK BEARING BUSH
41	117 959S	BUTEE BASCULEMENT	TILTING STOP
42	507 250S	INTERRUPTEUR SECURITE BASCULEMENT	TILTING SAFETY SWITCH
43	117 939S	CAISSON	CASING
44	118 186S	PIED ARRIERE	CASING FOOT
45	59 204	ENSEMBLE ROULETTE AR (NM)	REAR CASTOR ASSEMBLY (NM)
46	59 210	ENSEMBLE ROULETTE AR SEULE (NM)	SLANTED CASTOR ASSEMBLY (NM)
47	59 203	ENSEMBLE ROULETTE AV (NM)	FRONT CASTOR ASSEMBLY (NM)
48	59 209	ENSEMBLE ROULETTE AV SEULE (NM)	STRAIGHT CASTOR ASSEMBLY (NM)
49	101 043S	CABLE	POWER CORD
50	59 167	PASSE FIL	POWER CORD PROTECTOR
51	59 313	CONE DE COUVERCLE	LID FUNNEL
52	59 318	APPUI DE COUVERCLE	LID GUIDE
53	59 272	ENSEMBLE POIGNEE	HANDLE ASSEMBLY
54	119 259S	BUTEE DE CROCHET	LID LATCH RUBBER STOP
55	119 267S	CROCHET	LID LATCH
56	59 520	COUVERCLE	LID

Index	Pièce / Part	Désignation	Description
57	119 266S	JOINT DE COUVERCLE	LID SEAL
58	59 148	ENSEMBLE CUVE	BOWL ASSEMBLY
59	118 171S	BOUCHON SECURITE	SAFETY PLUG
60	59 222	ENSEMBLE JOINTS D'ARBRE	SHAFT SEALS ASSEMBLY
61	507 168S	JOINT FACIAL	FACIAL SHAFT SEAL
62	118 153S	JOINT FOND DE CUVE	BOWL SEAL
63	507 054S	BAGUE A LEVRES 40x52x7	SHAFT SEAL 40x52x7
64	507 050S	JOINT TORIQUE 120x3,5 mm	O-RING 120x3.5 mm
65	59 165	ENSEMBLE APPUIS DE CUVE (Qté = 3)	BOWL SUPPORTS ASSEMBLY (Qty = 3)
66	118 595S	APPUI CUVE PLASTIQUE	PLASTIC BOWL SUPPORT
67	117 928S	DOUILLE PORTE JOINTS	SEALS SOCKET
68	118 251S	JUPE HAUTE	UPPER MOTOR COVER
69	118 174S	DEFLECTEUR MOTEUR	MOTOR DEFLECTOR
70	59 198	ENSEMBLE SUPPORT MOTEUR	MOTOR SUPPORT ASSEMBLY
71	118 157S	ENSEMBLE INTERRUPTEUR SECURITE CUVE	BOWL SAFETY SWITCH ASSEMBLY
72	119 199S	INTERRUPTEUR SECURITE CUVE	BOWL SAFETY SWITCH
73	119 194S	FAISCEAU INTERRUPTEUR SECURITE CUVE	BOWL SAFETY SWITCH HARNESS
74	59 223	ENSEMBLE CAVALIER AXE BASCULEMENT	TILTING PIVOT STAPLE ASSEMBLY
75	118 298S	JUPE BASSE	LOWER MOTOR COVER
76	118 150S	DOUILLE MANCHON	SLEEVE BUSH
77	118 156S	MANCHON 132 mm	SLEEVE 132 mm
78	59 163	ENSEMBLE AXE AVANT	FRONT TILTING PIVOT ASSEMBLY
79	118 191S	PIEtement	STAND
80	117 958S	PIED AVANT	FRONT FOOT
81	59 161	ENSEMBLE LEVIER DE SERRAGE	LOCKING LEVER ASSEMBLY
82	118 142S	POIGNEE DE BASCULEMENT	TILTING HANDLE
83	208 582S	GOUPILLE AXE DE BASCULEMENT	TILTING SHAFT PIN
84	59 440	KIT BAGUE MOTEUR	MOTOR SLEEVE KIT
85	118 143S	RONDELLE D'APPUI AVANT	FRONT THRUST WASHER
86	118 144S	DOUILLE PALIER AVANT	FRONT BEARING BUSH
87	118 166S	ECROU REGLAGE BASCULEMENT	TILTING ADJUSTING NUT
88	117 956S	BOUCHON	COVER
89	59 496	ENSEMBLE COUVERCLE ET JOINT	LID AND GASKET ASSEMBLY

Index	Désignation	Description
A	PLATINE DE PUISSANCE	POWER CONTROL BOARD
M	MOTEUR	MOTOR

Machine	Voltage	A	M
54 341	400/50/3	119 180	303 103S
54 345	230/50/3	112 326	303 139S



Index	Pièce / Part	Désignation	Description
1	503 973S	TRANSFORMATEUR 48V	TRANSFORMER 48V
2	500 537S	FUSIBLE PRIMAIRE 9/24V	PRIMARY FUSE 9/24V
3	511 622S	PONT DE DIODES	TRANSFORMER
4	503 362S	CONTACTEUR DE COMMUTATION	COMMUTATION CONTACTOR
5	504 253S	FUSIBLE SECONDAIRE 9V	SECONDARY FUSE 9V
6	507 121S	FUSIBLE SECONDAIRE 24V	SECONDARY FUSE 24V
7	117 980S	CARTE DE CONNEXION	CONNECTING BOARD
8	59 482	CARTE DE COMMANDE + TIMER	CONTROL + TIMER BOARD KIT
9	59 152	ENSEMBLE CLAVIER DE COMMANDE	CONTROL PANEL ASSEMBLY
10	117 982S	LIMANDE DE LIAISON	LINK CABLE

Index	Désignation	Description
A	PLATINE DE PUISSANCE	POWER CONTROL BOARD
B	FUSIBLE PRIMAIRE 48V	PRIMARY FUSE 48V
C	FUSIBLE DE FREINAGE	BRAKING CIRCUIT FUSE
D	RELAIS THERMIQUE	THERMAL OVERLOAD RELAY
E	CONTACTEUR	CONTACTOR
F	CONTACTEUR	CONTACTOR
G	TRANSFORMATEUR DE COMMANDE	CONTROL TRANSFORMER

Machine	Voltage	A	B	C	D	E	F	G
54 341	400/50/3	119 180	503 108S	503 356S	503 376S	503 362S	503 969S	503 972S
54 345	230/50/3	112 326	504 258S	502 098S	507 178S	503 969S	503 688S	507 200S

R 23 A - BLIXER 23 A - R 30 A - BLIXER 30 A
R 45 A - BLIXER 45 A - R 60 A - BLIXER 60 A

200V/50Hz - 200V/60Hz 3~

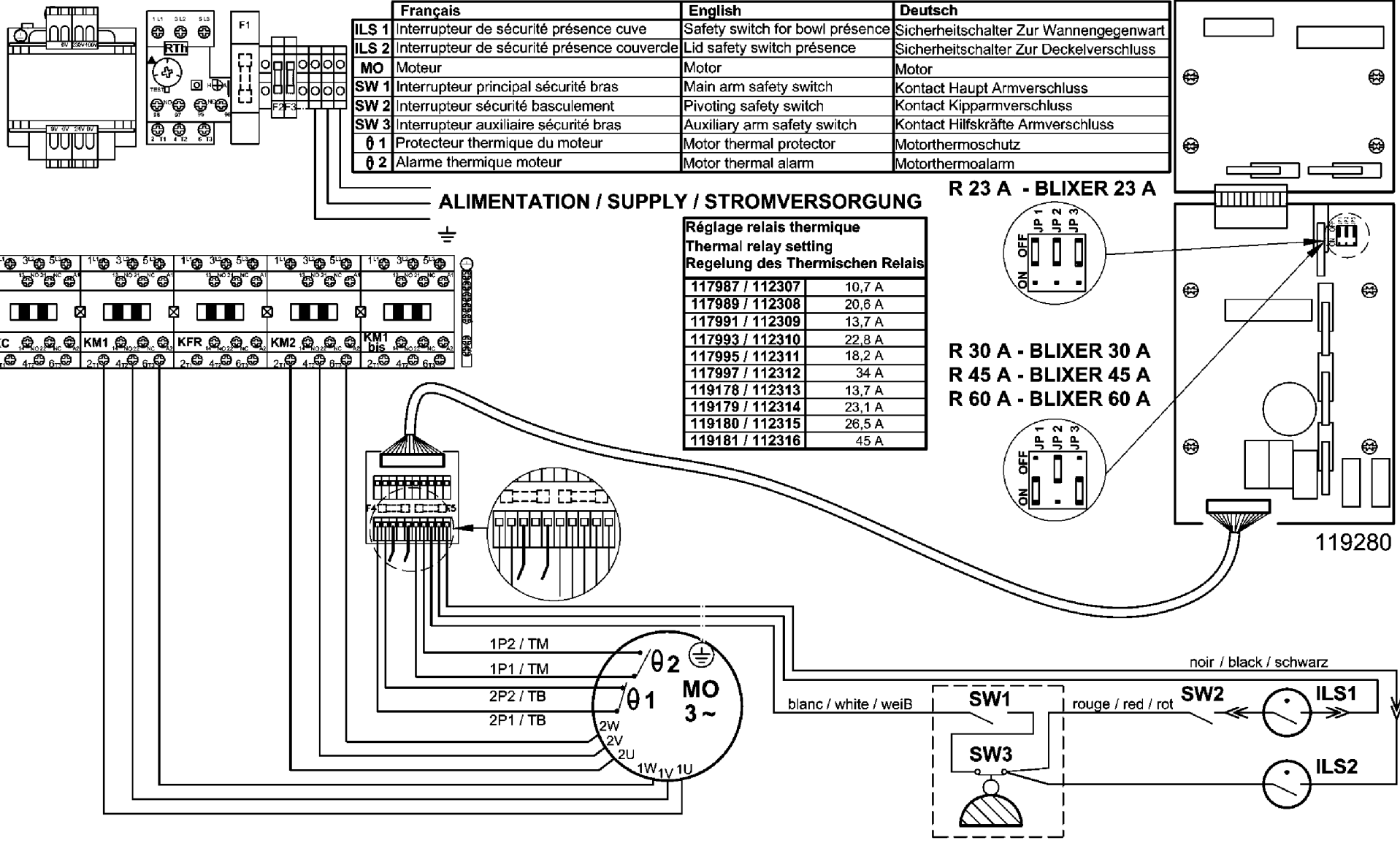
220V/60Hz - 230V/50Hz 3~

380V/60Hz - 400V/50Hz 3~ - 440V/60Hz 3~

SCHEMA ELECTRIQUE

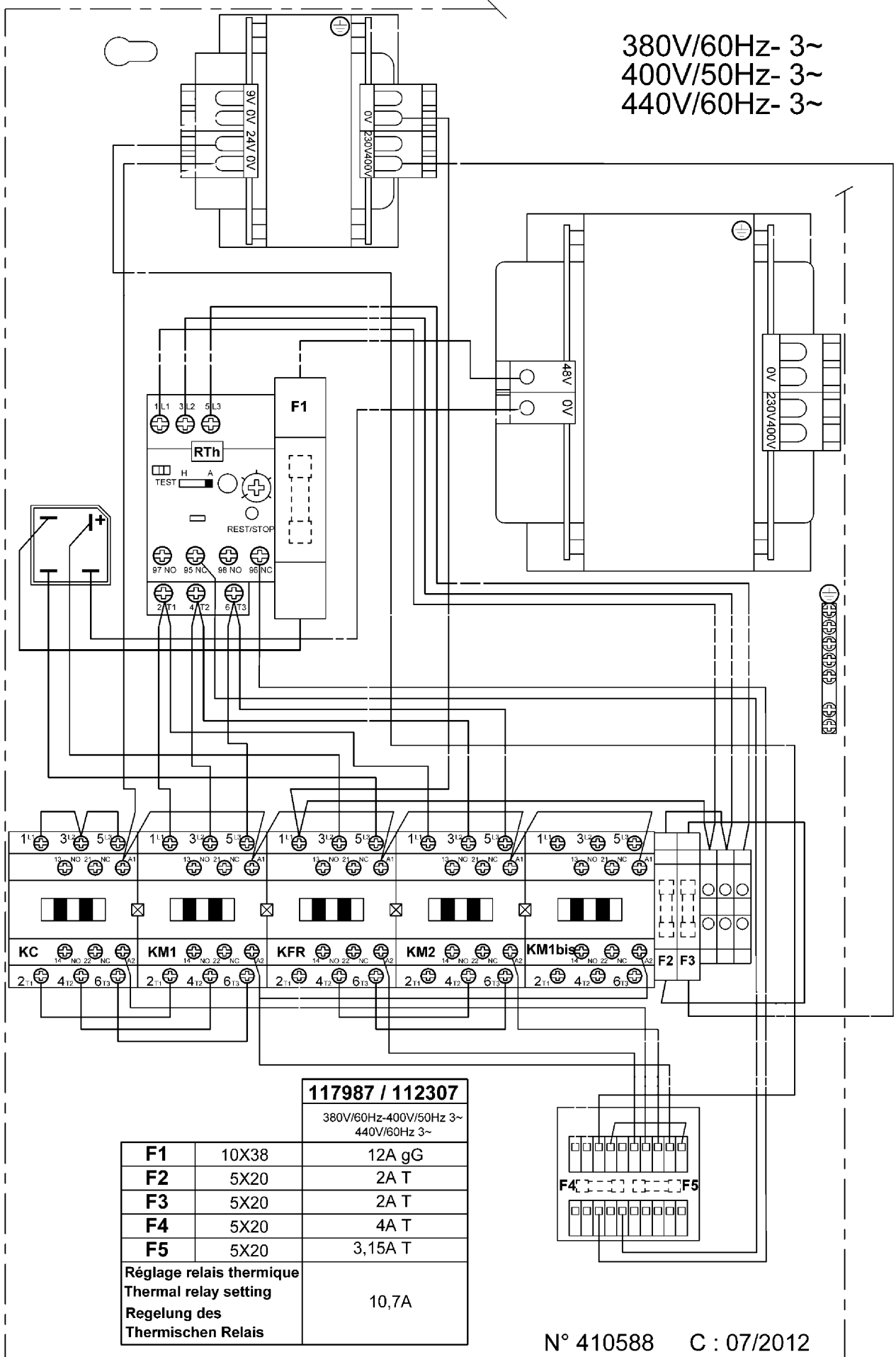
ELECTRIC DIAGRAM

ELEKTRISCHES SCHALTBILD



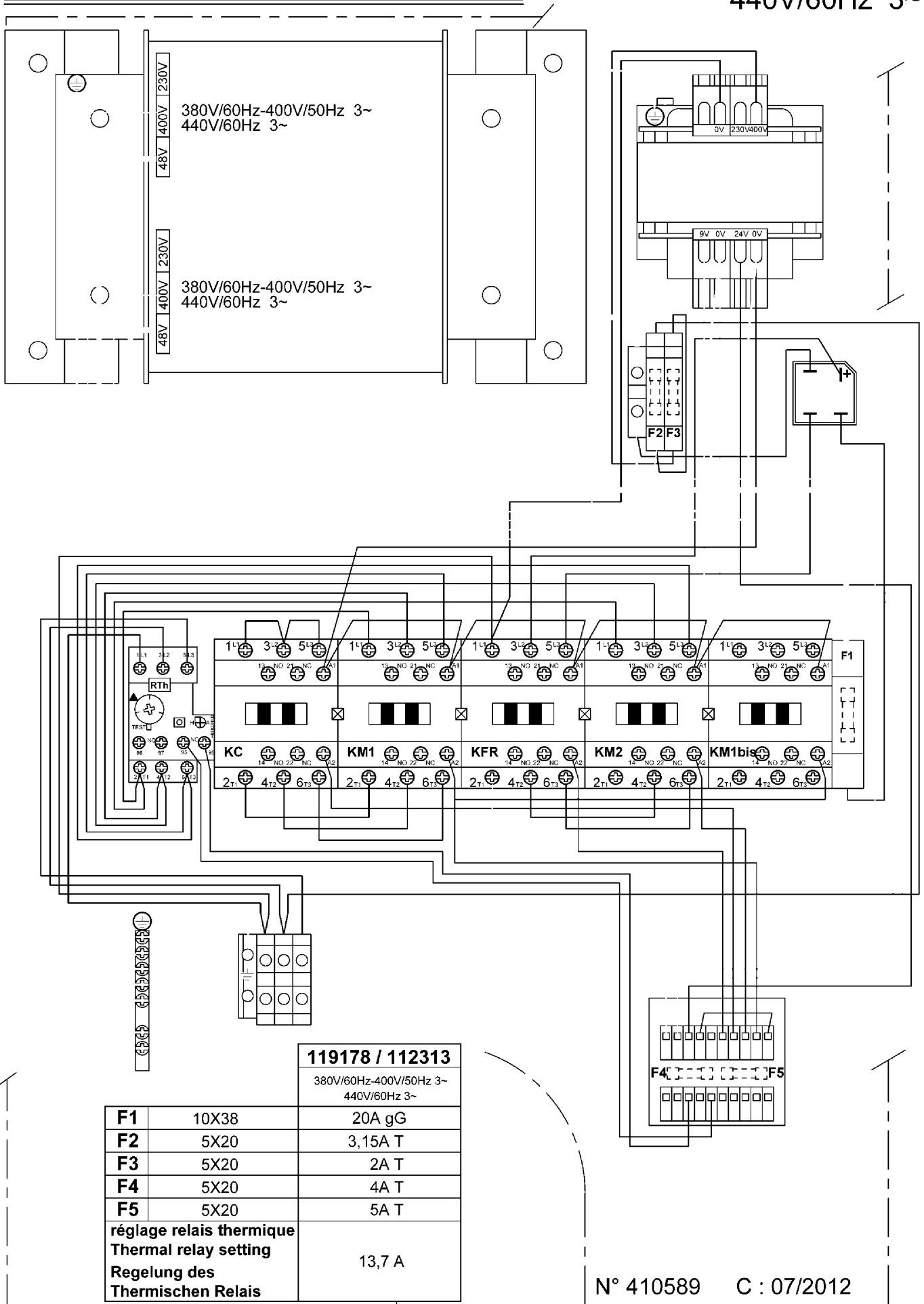
R 23 A - BLIXER 23 A

380V/60Hz- 3~
400V/50Hz- 3~
440V/60Hz- 3~



R 30 A - BLIXER 30 A

380V/60Hz-400V/50Hz 3~
440V/60Hz 3~



119178 / 112313

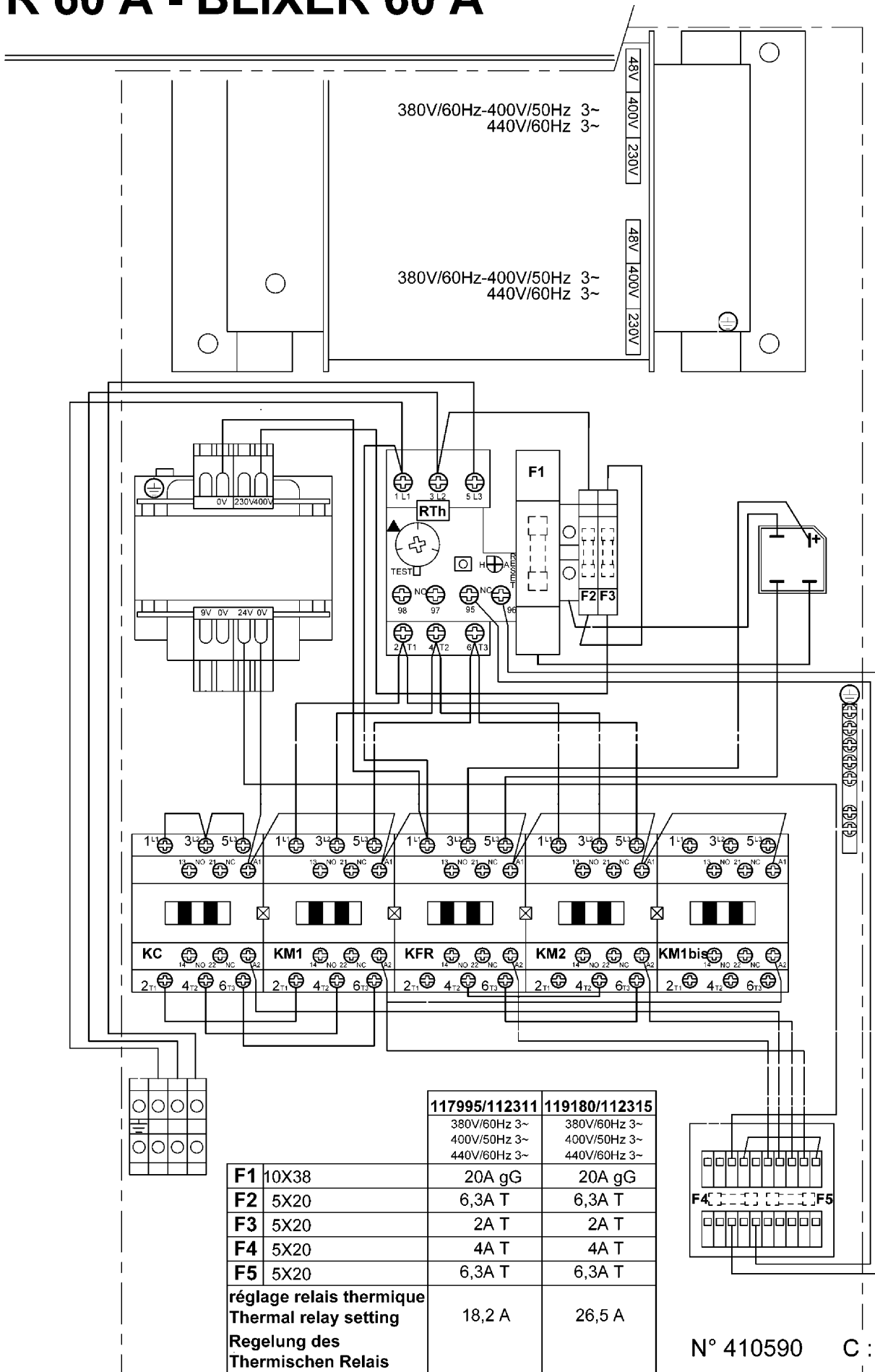
380V/60Hz-400V/50Hz 3~
440V/60Hz 3~

F1	10X38	20A gG
F2	5X20	3,15A T
F3	5X20	2A T
F4	5X20	4A T
F5	5X20	5A T
réglage relais thermique Thermal relay setting Regelung des Thermischen Relais		13,7 A

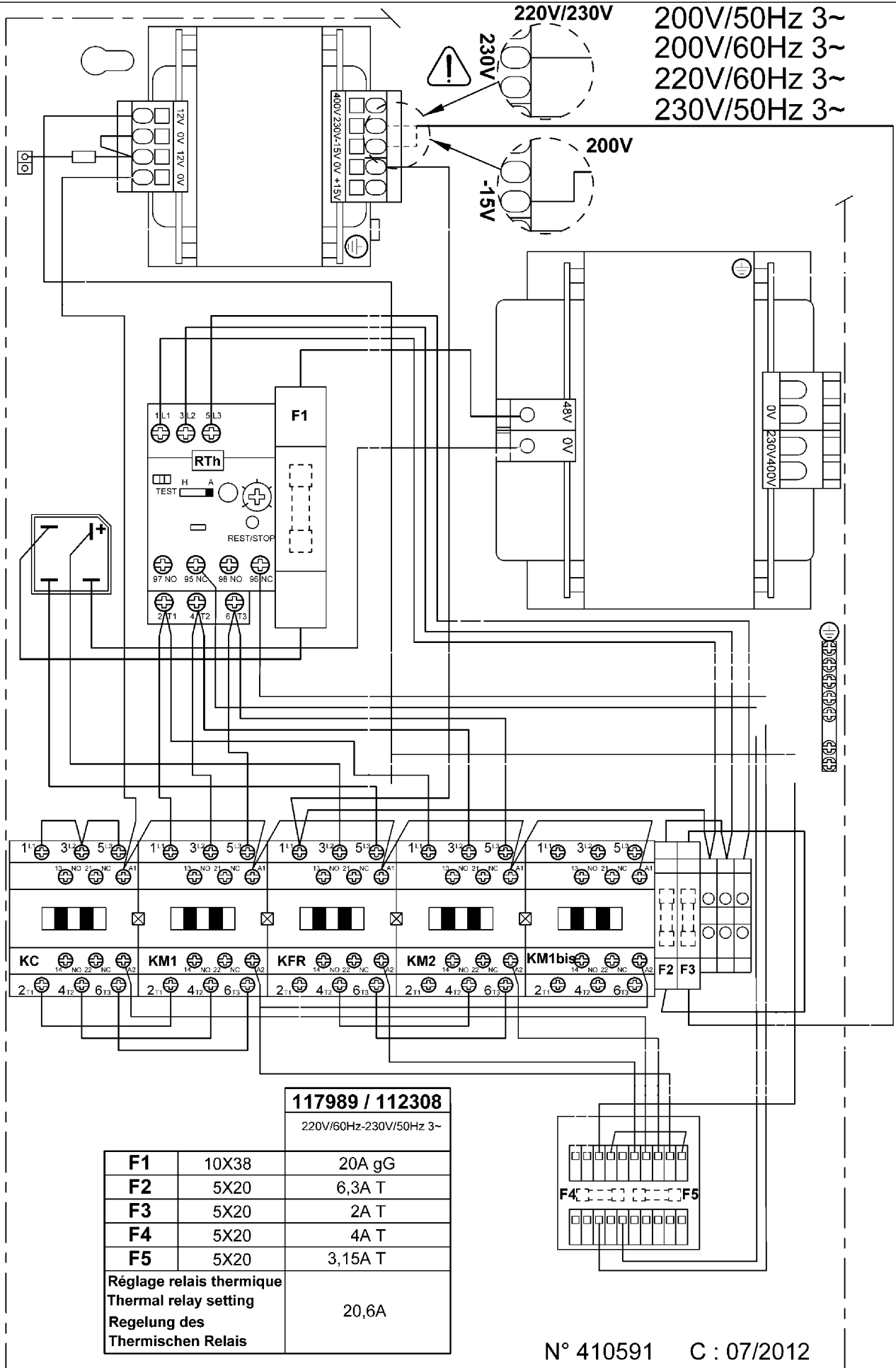
R 45 A - BLIXER 45 A

R 60 A - BLIXER 60 A

380V/60Hz-400V/50Hz 3~
440V/60Hz 3~

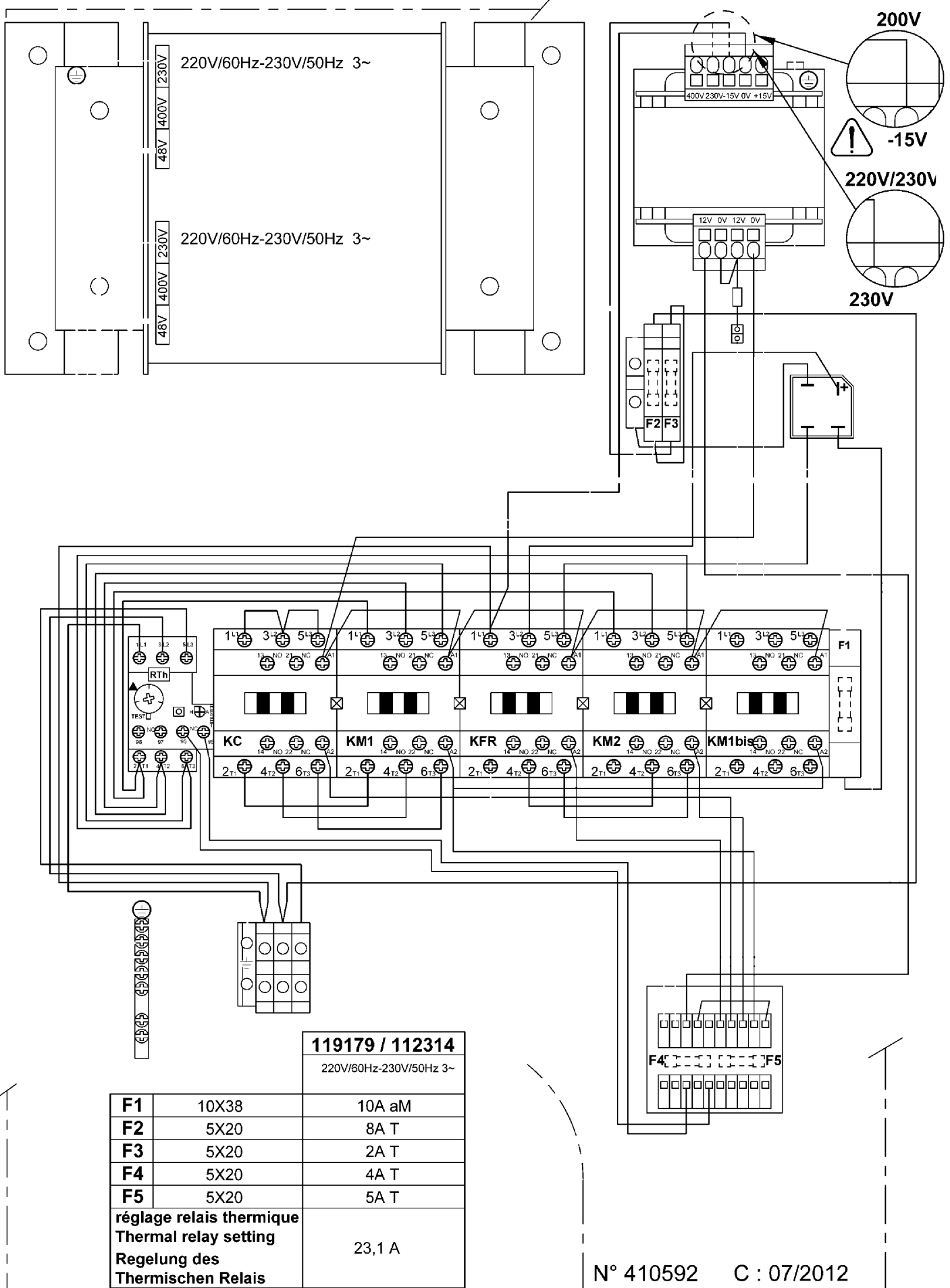


R 23 A - BLIXER 23 A



R 30 A - BLIXER 30 A

200V/50Hz-200V/60Hz 3~
220V/60Hz-230V/50Hz 3~



119179 / 112314

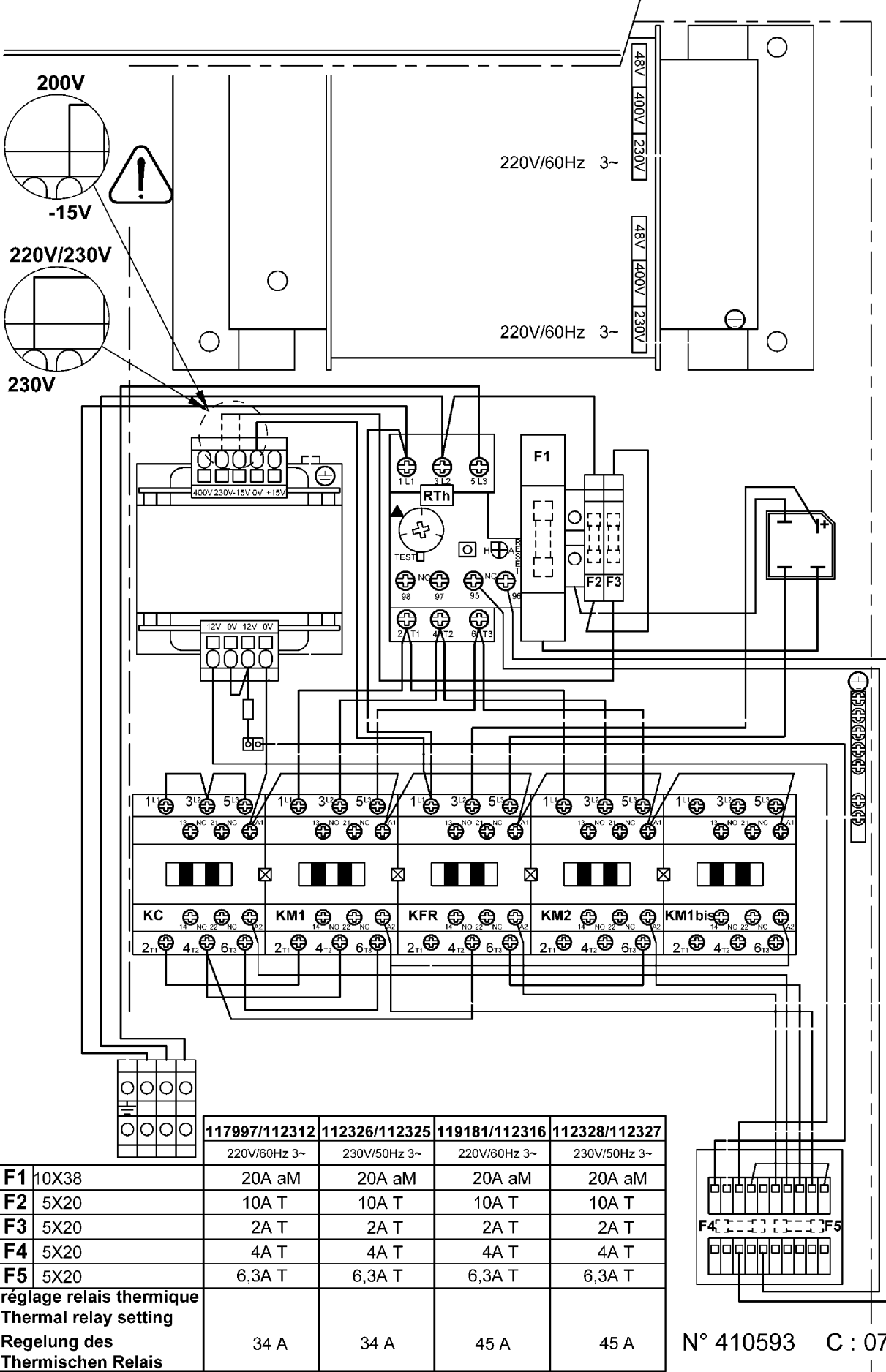
220V/60Hz-230V/50Hz 3~

F1	10X38	10A aM
F2	5X20	8A T
F3	5X20	2A T
F4	5X20	4A T
F5	5X20	5A T
réglage relais thermique Thermal relay setting Regelung des Thermischen Relais		23,1 A

N° 410592 C : 07/2012

R 45 A - BLIXER 45 A R 60 A - BLIXER 60 A

200V/50Hz - 200V/60Hz 3~
220V/60Hz 3~
230V/50Hz 3~



	117997/112312	112326/112325	119181/112316	112328/112327
	220V/60Hz 3~	230V/50Hz 3~	220V/60Hz 3~	230V/50Hz 3~
F1 10X38	20A aM	20A aM	20A aM	20A aM
F2 5X20	10A T	10A T	10A T	10A T
F3 5X20	2A T	2A T	2A T	2A T
F4 5X20	4A T	4A T	4A T	4A T
F5 5X20	6,3A T	6,3A T	6,3A T	6,3A T
réglage relais thermique Thermal relay setting				
Regelung des Thermischen Relais	34 A	34 A	45 A	45 A

N° 410593 C : 07/2012



robot coupe[®]

**Head Office, French,
Export and Marketing Department:**
48, rue des Vignerons
94305 Vincennes Cedex- France
Tel.: 01 43 98 88 15 - Fax: 01 43 74 36 26
Email: international@robot-coupe.com

Robot Coupe Australia Pty Ltd:
Unit 3/43 Herbert St
Artarmon NSW 2064 Australia
T (02) 9478 0300
F (02) 9460 7972
Email: orders@robotcoupe.com.au

Robot-Coupe U.K. LTD:
Fleming Way, Isleworth,
Middlesex TW7 6EU
Tel.: 020 8232 1800
Fax: 020 8568 4966
Email: sales@robotcoupe.co.uk

www.robot-coupe.com