

PROFESSIONAL DISHWASHERS



### PERFORMING EXCELLENCE

Offering the best performance for modern catering: Smeg Foodservice is the Smeg division dedicated to the needs of the professional catering sector. Excellent technological know-how in design and fabrication results in innovative and functional solutions which guarantee maximum comfort in every working environment.

### SMEG EXPERIENCE

Our newest ranges of professional dishwashers, which have undergone a natural evolutionary process thanks to more than 40 years' experience in dishwasher design and fabrication, are built entirely in Italy and designed for bars, restaurants and small communities. Characterised by a high-tech washing system, these dishwashers boast reduced consumption, quality results and hygiene guaranteed, combined with a distinctive design.

# PROFESSIONAL DISHWASHERS

### CONTINUOUS RESEARCH

Smeg has always designed and manufactured excellent products offering the best performance



### GREENLINE

Maximum attention to energy saving, respect for the environment, technological innovation: the new Greenline dishwasher range is the result of a design process that strives for and guarantees the best performance with the minimum consumption.

### TOPLINE

High performance, maximum efficiency, hygiene without compromise: every aspect of the Topline range has been designed with the latest technology to ensure excellent washing and rinsing results.

### ECOLINE

Top washing performance and ease of use: the Ecoline machines are the perfect solution for those seeking the best combination between functionality and simplicity.

# GREENLINE

MAXIMUM ATTENTION TO ENERGY SAVING, RESPECT FOR THE ENVIRONMENT, TECHNOLOGICAL INNOVATION

A number of solutions reduce energy, water and detergent consumption to optimise the washing process costs and safeguard the environment. A modern approach that increases the value of your investment and helps reduce the overall running costs.

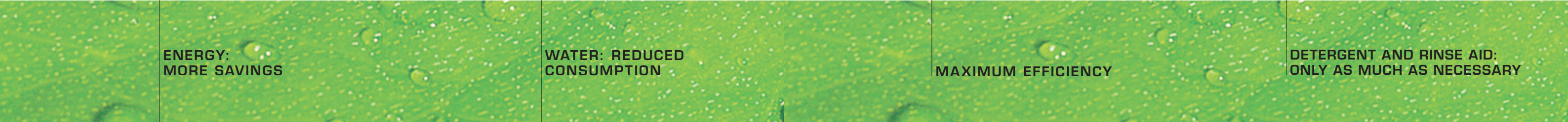
**INTELLIGENT OPERATION**  
In the periods when the dishwasher is not used, the unique Standby system limits operation of the tank and boiler heating elements guaranteeing a 70% energy saving compared to conventional dishwashers.

**RINSE CYCLE**  
Consuming only 3 litres of fresh water for each rinsing cycle, the hood type dishwashers achieve the best balance between water saving and hygiene.

**HIGH PRODUCTIVITY**  
Smeg hood type dishwashers with 600x500mm basket offer 30% higher theoretical productivity with more than 1700 plates an hour. These models allow you to wash 16 32cm-diameter plates or 24 26cm-diameter plates at the same time, as well as trays, baking tins and large serving dishes. In the 500x500mm basket versions the exclusive loading height of 440mm allow to wash GN1/1 or Euronorm trays and baskets

**ERGONOMICS AND SAFETY**  
Unique with its innovative hood-raising system, complete with an anti-drop safety device, which allows adjusting the hood opening and closing force.

**ELIMINATE WASTE**  
The electronic Smart Wash system enables the adjustment of the dose of detergent and rinse aid from the control panel so that only the necessary amount is dispensed.



**DOUBLE-INSULATED WALL**  
The effective insulation of the boiler and the entire double-wall structure considerably reduces heat loss and the operating time of the tank and boiler heating elements.

**LESS WATER IN THE TANK**  
Smeg hood type dishwashers require only 22 lt. of water for 600x500mm models and 17 lt. for 500x500mm versions, compared to the 30 or 40 litres (approx.) consumed by conventional dishwashers, thus reducing the heating time and the water consumption.

**DHR HEAT RECOVERY**  
By means of the special Drain Heat Recovery (DHR) device, - patent pending - the wastewater heats the cold intake water increasing the temperature by about 20°C. Thanks to this and a series of technical solutions, a 40% reduction of operational costs is achieved if compared to standard models on the market.

ANNUAL RUNNING COST SAVINGS **OVER 40%**

**DESIGN AND TECHNOLOGY**  
Careful design, state-of-the-art technology and ease of use: Greenline dishwashers represent excellence from every perspective.



## HOOD TYPE

CWC530 - Basket 500x500mm



Technical drawing no.7 on page 30

- Double skin construction in AISI 304 stainless steel with insulation
- Molded tank with rounded corners
- No. 2 washing arms in AISI 304 stainless steel
- No. 2 rinse arms in AISI 304 stainless steel
- Balanced and insulated hood
- Usable washing height 440mm
- Atmospheric boiler rinse system with rinse pump (HTR)
- Tank water partial replacement by drain pump, directly accessible from the tank
- Wastewater heat recovery system for heating the intake water (DHR)
- Three-stage dynamic filtering system integrated into the drain pump for the separation of residues and the control of the water level in the tank
- Fully electronic operation
- 4 programs with 7 washing cycles:
  - P1: Short 60", Crystal Cycles 50"
  - P2: Medium 90", Crystal Cycles 80"
  - P3: Long 150", 'Ultra Clean Pro' Sanitization Cycle 4min
  - P4: Set by the user, 3 to 10min
- Washing pump soft start
- Thermostop for controlling the rinse water temperature
- 'Stand-by' function to limit the activity of the heating elements during periods of non-use
- Self cleaning cycle available as standard
- Self-diagnosis system with error messages
- Detergent and rinse aid peristaltic pumps, electronically adjustable as standard

Provided:  
no. 1 flat-bottomed polypropylene basket, PB50G01  
no. 1 polypropylene basket for dishes, PB50D01  
no. 1 cutlery basket, PHOOS01

	CWC530DE	CWC530SDE
Basket dimensions (mm)	500x500mm	500x500mm
Basket / hour	72 max	72 max
Rinse system	Rinse pump and atmospheric boiler (HTR)	Rinse pump and atmospheric boiler (HTR)
Water consumption for cycle	2,9 lt	2,9 lt
Drain system	Drain pump and three-stage filter	Drain pump and three-stage filter
Softener	-	Integrated
Heat recovery system DHR	Integrated	Integrated
Tank: capacity / heating element	17 lt. / 2,2 kW	17 lt. / 2,2 kW
Boiler: capacity / heating element	8 lt. / 9,0 kW	8 lt. / 9,0 kW
Power supply / Power installed	400V 3N 50Hz / 9,7 kW 230V 1N 50Hz / 6,7 kW	400V 3N 50Hz / 9,7 kW 230V 1N 50Hz / 6,7 kW
Dimensions (WxDxH)	620x736x1530/2007 mm	620x736x1530/2007 mm

## HOOD TYPE

CWC630 - Basket 600x500mm



Technical drawing no.8 on page 30

- Double skinned construction in AISI 304 stainless steel with insulation
- Molded tank with rounded corners
- No. 2 washing arms in AISI 304 stainless steel
- No. 2 rinse arms in AISI 304 stainless steel
- Balanced and insulated hood
- Usable washing height 420mm
- Automatic partial replacement of water in the tank with drain pump
- Wastewater heat recovery system for heating the intake water (DHR)
- Atmospheric boiler rinse system with rinse pump (HTR)
- Three-stage dynamic filtering system integrated into the drain pump for the separation of residues and the control of the water level in the tank
- Fully electronic operation
- 4 programs with 7 washing cycles:
  - P1: Short 60", Crystal Cycles 60"
  - P2: Medium 90", Crystal Cycles 80"
  - P3: Long 150", 'Ultra Clean Pro' Sanitization Cycle 4min
  - P4: Set by the user, 3 to 10min
- Washing pump soft start
- Thermostop for controlling the rinse water temperature
- 'Stand-by' function to limit the activity of the heating elements during periods of non-use
- Self cleaning cycle available as standard
- Self-diagnosis system with error messages
- Detergent and rinse aid peristaltic pumps, electronically adjustable as standard

Provided:  
no. 1 flat-bottomed polypropylene basket, PB60G01  
no. 1 polypropylene basket for dishes, PB60D01  
no. 1 cutlery basket, PHOOS01

	CWC631DE-1	CWC631SDE-1
Basket dimensions (mm)	600x500mm	600x500mm
Basket / hour	72 max	72 max
Rinse system	Rinse pump and atmospheric boiler (HTR)	Rinse pump and atmospheric boiler (HTR)
Water consumption for cycle	2,9 lt	2,9 lt
Drain system	Drain pump and three-stage filter	Drain pump and three-stage filter
Softener	-	Integrated
Heat recovery system DHR	Integrated	Integrated
Tank: capacity / heating element	22 lt. / 1,8 kW	22 lt. / 1,8 kW
Boiler: capacity / heating element	8 lt. / 9,0 kW	8 lt. / 9,0 kW
Power supply / Power installed	400V 3N 50Hz / 10 kW 230V 1N 50Hz / 7,0 kW	400V 3N 50Hz / 10 kW 230V 1N 50Hz / 7,0 kW
Dimensions (WxDxH)	734x760x1520/1940 mm	734x760x1520/1940 mm



# TOPLINE

HIGH PERFORMANCE, MAXIMUM EFFICIENCY, HYGIENE WITHOUT COMPROMISE

All Smeg dishwashers are designed with painstaking care, right down to the smallest detail, using the latest technology. From the hydraulic circuit to the rotating arms, from the washing and rinsing nozzles to the filtering system: every single part guarantees excellent washing and rinsing results without the need for pre-treating the dishes.



**GUARANTEED TEMPERATURE** The High Temperature Rinse system prevents cold mains water from entering the boiler during rinsing. The water that comes into contact with the dishes stays hot throughout the rinsing cycle, thereby guaranteeing hygiene and fast drying.

**CUSTOMISED WASHING** Topline dishwashers have three standard washing programs with various options so that you can select the most suitable program to wash any type of item or soiling.

**GLASS CYCLE** This special function lowers the rinsing temperature and reduces the washing cycle time keeping your glassware as good as new, even after multiple washes.

**SOFT START** To prevent breaking or chipping more delicate items, the initial water jet is delivered at a lower pressure - Soft Start - and then is gradually increased to the normal washing force.

**EXCELLENT WASHING PERFORMANCE** A series of design and technical solutions, including the positioning and inclination of the nozzles, the speed of the rotating arms, as well as the innovative three-stage filtering system, guarantee superior washing performance.



## RINSING AT 85°C FOR FAST DRYING

## COMFORT

## FLEXIBILITY

## TOP PERFORMANCE AND SAVING

**CONSTANT WATER PRESSURE** The integrated rinsing pump ensures a constant water flow pressure, irrespective of the mains pressure, thus allowing optimal rotation speed of the rinsing arms.

**EASE OF USE** The intuitive display that simplifies the selection of the right program for each item to be washed and the counterbalanced door that prevents steam from escaping guarantee absolute ease of use.

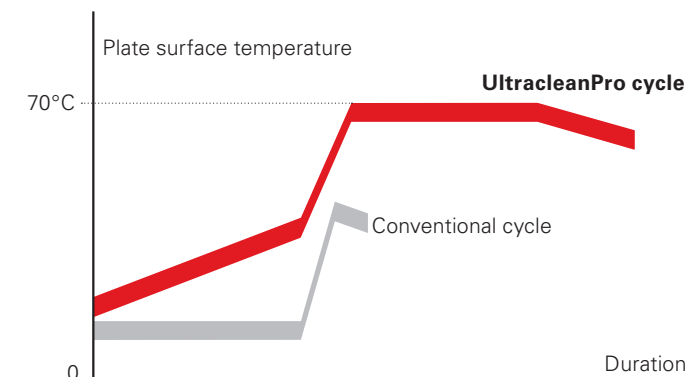
**SANITISATION** The special UltraCleanPro function - patented - activates a special sanitisation cycle subjecting the dishes to a prolonged heat treatment to remove the bacterial build-up. The plate surface remains at 70°C for at least one minute, guaranteeing the best hygiene.

**CONSUMPTION EFFICIENCY** Topline dishwashers have been designed for great performance in energy efficiency and water and detergent consumption. Thanks to the insulation, the Standby function and the low water consumption required for washing and rinsing, they are an excellent choice for catering professionals.

**SILENT OPERATION** The double-wall structure, the thermal-acoustic insulation of the wash chamber and the hydraulic circuit (optimised to prevent cavitation) make these dishwashers the most silent in their class (50 DbA).



## EXCELLENT RINSING PERFORMANCE



## GLASSWASHER

CWG420 - Basket 400x400mm



Technical drawing no.1 on page 28

- Double skinned construction in AISI 304 stainless steel with insulation
- Molded tank with rounded corners
- No. 2 washing arms in AISI 304 stainless steel
- No. 2 rinse arms in AISI 304 stainless steel
- Balanced and insulated door with gasket
- Usable washing height 300mm
- Automatic partial replacement of water in the tank with drain pump
- Atmospheric boiler rinse system with rinse pump (HTR)
- Three-stage dynamic filtering system integrated into the drain pump for the separation of residues and the control of the water level in the tank
- Fully electronic operation
- 3 programs with 6 washing cycles:
  - P1: Short 90", Crystal Cycles 60"
  - P2: Medium 150", Crystal Cycles 120"
  - P3: Long 240", 'Ultra Clean Pro' Sanitization Cycle 4min
- Washing pump soft start
- Thermostop for controlling the rinse water temperature
- 'Stand-by' function to limit the activity of the heating elements during periods of non-use
- Self cleaning cycle available as standard
- Self-diagnosis system with error messages
- Detergent and rinse aid peristaltic pumps, electronically adjustable as standard

Provided:  
no. 1 flat-bottomed wire basket, WB40G01  
no. 1 flat-bottomed polypropylene basket, PB40G01  
no. 1 cutlery basket, PHOOS01

	CWG420D-1	CWG420SD-1
Basket dimensions (mm)	400x400mm	400x400mm
Basket / hour	60 max	60 max
Rinse system	Rinse pump and atmospheric boiler (HTR)	Rinse pump and atmospheric boiler (HTR)
Water consumption for cycle	2,2 lt	2,2 lt
Drain system	Drain pump and three-stage filter	Drain pump and three-stage filter
Softener	-	Integrated
Tank: capacity / heating element	7 lt. / 0,8 kW	7 lt. / 0,8 kW
Boiler: capacity / heating element	4 lt. / 4,5 - 3,0 (single-phase) kW	4 lt. / 4,5 - 3,0 (single-phase) kW
Power supply / Power installed	400V 3N 50Hz / 4,8 kW 230V 1N 50Hz / 3,3 kW 230V 1N 50Hz / 1,8 kW	400V 3N 50Hz / 4,8 kW 230V 1N 50Hz / 3,3 kW 230V 1N 50Hz / 1,8 kW
Dimensions (WxDxH)	488x530x705 mm	488x530x705 mm

## UNDERCOUNTER

CW520 - Basket 500x500mm



Technical drawing no. 4 on page 29

- Double skinned construction in AISI 304 stainless steel with insulation
- Molded tank with rounded corners
- No. 2 washing arms in AISI 304 stainless steel
- No. 2 rinse arms in AISI 304 stainless steel
- Balanced and insulated door with gasket
- Usable washing height 415mm
- Automatic partial replacement of water in the tank with drain pump
- Atmospheric boiler rinse system with rinse pump (HTR)
- Three-stage dynamic filtering system integrated into the drain pump for the separation of residues and the control of the water level in the tank
- Fully electronic operation
- 4 programs with 7 washing cycles:
  - P1: Short 90", Crystal Cycles 60"
  - P2: Medium 150", Crystal Cycles 120"
  - P3: Long 240", 'Ultra Clean Pro' Sanitization Cycle 4'
  - P4: Set by the user, 3 to 10min
- Washing pump soft start
- Thermostop for controlling the rinse water temperature
- 'Stand-by' function to limit the activity of the heating elements during periods of non-use
- Self cleaning cycle available as standard
- Self-diagnosis system with error messages
- Detergent and rinse aid peristaltic pumps, electronically adjustable as standard

Provided:  
no. 1 flat-bottomed polypropylene basket, PB50G01  
no. 1 polypropylene basket for dishes, PB50D01  
no. 1 cutlery basket, PHOOS01

	CW521DUK	CW521SDUK
Basket dimensions (mm)	500x500mm	500x500mm
Basket / hour	60 max	60 max
Rinse system	Rinse pump and atmospheric boiler (HTR)	Rinse pump and atmospheric boiler (HTR)
Water consumption for cycle	2,7 lt	2,7 lt
Drain system	Drain pump and three-stage filter	Drain pump and three-stage filter
Softener	-	Integrated
Tank: capacity / heating element	11 lt. / 1,1 kW	11 lt. / 1,1 kW
Boiler: capacity / heating element	6 lt. / 5,0 - 2,0 (single-phase) kW	6 lt. / 5,0 - 2,0 (single-phase) kW
Power supply / Power installed	400V 3N 50Hz / 5,7 kW 230V 1N 50Hz / 4,0 kW 230V 1N 50Hz / 2,7 kW	400V 3N 50Hz / 5,7 kW 230V 1N 50Hz / 4,0 kW 230V 1N 50Hz / 2,7 kW
Dimensions (WxDxH)	600x600x820 mm	600x600x820 mm

## UNDERCOUNTER - DOUBLE BASKET

CW522 - Basket 500x500mm



Technical drawing no. 4 on page 29



- Double skinned construction in AISI 304 stainless steel with insulation
- Molded tank with rounded corners
- No. 2 washing arms in AISI 304 stainless steel
- No. 2 rinse arms in AISI 304 stainless steel
- Balanced and insulated door with gasket
- Usable washing height 415mm
- **Double rack system with extractable stand, washing 2 basket simultaneously:**
  - Upper basket for plates/saucers (2 height adjustment levels)
  - Bottom basket for glasses/cups
- Automatic partial replacement of water in the tank with drain pump
- Atmospheric boiler rinse system with rinse pump (HTR)
- Three-stage dynamic filtering system integrated into the drain pump for the separation of residues and the control of the water level in the tank
- 4 programs with 7 washing cycles:
  - P1: Short 90", Crystal Cycles 60"
  - P2: Medium 150", Crystal Cycles 120"
  - P3: Long 240", 'Ultra Clean Pro' Sanitization Cycle 4min
  - P4: Set by the user, 3 to 10min
- Washing pump soft start
- Thermostop for controlling the rinse water temperature
- 'Stand-by' function to limit the activity of the heating elements during periods of non-use
- Self cleaning cycle available as standard
- Self-diagnosis system with error messages
- Detergent and rinse aid peristaltic pumps, electronically adjustable as standard

Provided:  
no. 1 flat-bottomed polypropylene basket, PB50G01  
no. 1 polypropylene basket for dishes, PB50D01  
no. 1 cutlery basket, PHOOS01

## UNDERCOUNTER TRAY WASHER

CW526 - Basket 500x500mm



Technical drawing no. 4 on page 29



- Double skinned construction in AISI 304 stainless steel with insulation
- Molded tank with rounded corners
- No. 2 washing arms in AISI 304 stainless steel
- No. 2 rinse arms in AISI 304 stainless steel
- Balanced and insulated door with gasket
- Usable washing height 415mm
- Usable washing depth 605mm
- **Washing 8 Euronorm tray 600x400mm or 1 Euronorm crate 600x400x350mm**
- Automatic partial replacement of water in the tank with drain pump
- Atmospheric boiler rinse system with rinse pump (HTR)
- Three-stage dynamic filtering system integrated into the drain pump for the separation of residues and the control of the water level in the tank
- 4 programs with 7 washing cycles:
  - P1: Short 90", Crystal Cycles 60"
  - P2: Medium 150", Crystal Cycles 120"
  - P3: Long 240", 'Ultra Clean Pro' Sanitization Cycle 4min
  - P4: Set by the user, 3 to 10min
- Washing pump soft start
- Thermostop for controlling the rinse water temperature
- 'Stand-by' function to limit the activity of the heating elements during periods of non-use
- Self cleaning cycle available as standard
- Self-diagnosis system with error messages
- Detergent and rinse aid peristaltic pumps, electronically adjustable as standard

Provided:  
no.1 wire basket for 8 Euronorm trays 600x400mm  
no.1 grid for Euronorm crate 600x400mm  
no. 1 polypropylene basket for dishes, PB50D01

	CW522D	CW522SD
Basket: Capacity / Dimensions	2 baskets 500x500mm	2 baskets 500x500mm
Basket / hour	60 + 60 max	60 + 60 max
Upper basket usable washing height	145 / 225 mm	145 / 225 mm
Lower basket usable washing height	190 / 110 mm	190 / 110 mm
Rinse system	Rinse pump and atmospheric boiler (HTR)	Rinse pump and atmospheric boiler (HTR)
Water consumption for cycle	2,7 lt	2,7 lt
Drain system	Drain pump and three-stage filter	Drain pump and three-stage filter
Softener	-	Integrated
Tank: capacity / heating element	11 lt. / 1,1 kW	11 lt. / 1,1 kW
Boiler: capacity / heating element	6 lt. / 6,0 - 2,0 (single-phase) kW	6 lt. / 6,0 - 2,0 (single-phase) kW
Power supply / Power installed	400V 3N 50Hz / 6,7 kW 230V 1N 50Hz / 4,7 kW 230V 1N 50Hz / 2,7 kW	400V 3N 50Hz / 6,7 kW 230V 1N 50Hz / 4,7 kW 230V 1N 50Hz / 2,7 kW
Dimensions (WxDxH)	600x600x820 mm	600x600x820 mm

	CW526D	CW526SD
Basket dimensions (mm)	500x500mm	500x500mm
Wash capacity	Euronorm Trays and Crate 600x400mm (H 350mm max)	Euronorm Trays and Crate 600x400mm (H 350mm max)
Basket / hour	60 max	60 max
Useable depth	605 mm	605 mm
Rinse system	Rinse pump and atmospheric boiler (HTR)	Rinse pump and atmospheric boiler (HTR)
Water consumption for cycle	2,7 lt	2,7 lt
Drain system	Drain pump and three-stage filter	Drain pump and three-stage filter
Softener	-	Integrated
Tank: capacity / heating element	11 lt. / 1,1 kW	11 lt. / 1,1 kW
Boiler: capacity / heating element	6 lt. / 6,0 - 2,0 (single-phase) kW	6 lt. / 6,0 - 2,0 (single-phase) kW
Power supply / Power installed	400V 3N 50Hz / 6,7 kW 230V 1N 50Hz / 4,7 kW 230V 1N 50Hz / 2,7 kW	400V 3N 50Hz / 6,7 kW 230V 1N 50Hz / 4,7 kW 230V 1N 50Hz / 2,7 kW
Dimensions (WxDxH)	600x680x820 mm	600x680x820 mm



## HOOD TYPE

CWC520 - Basket 500x500mm



Technical drawing no.7 on page 30

- Double skinned construction in AISI 304 stainless steel with insulation
- Molded tank with rounded corners
- No. 2 washing arms in AISI 304 stainless steel
- No. 2 rinse arms in AISI 304 stainless steel
- Balanced and insulated hood
- Usable washing height 440mm
- Automatic partial replacement of water in the tank with drain pump
- Atmospheric boiler rinse system with rinse pump (HTR)
- Three-stage dynamic filtering system integrated into the drain pump for the separation of residues and the control of the water level in the tank
- Fully electronic operation
- 4 programs with 7 washing cycles:
  - P1: Short 60", Crystal Cycles 50"
  - P2: Medium 90", Crystal Cycles 80"
  - P3: Long 150", 'Ultra Clean Pro' Sanitization Cycle 4min
  - P4: Set by the user, 3 to 10min
- Washing pump soft start
- Thermostop for controlling the rinse water temperature
- 'Stand-by' function to limit the activity of the heating elements during periods of non-use
- Self cleaning cycle available as standard
- Self-diagnosis system with error messages
- Detergent and rinse aid peristaltic pumps, electronically adjustable as standard

Provided:  
no. 1 flat-bottomed polypropylene basket, PB50G01  
no. 1 polypropylene basket for dishes, PB50D01  
no. 1 cutlery basket, PHOOS01

	CWC520D	CWC520SD
Basket dimensions (mm)	500x500mm	500x500mm
Basket / hour	72 max	72 max
Rinse system	Rinse pump and atmospheric boiler (HTR)	Rinse pump and atmospheric boiler (HTR)
Water consumption for cycle	2,9 lt	2,9 lt
Drain system	Drain pump and three-stage filter	Drain pump and three-stage filter
Softener	-	Integrated
Tank: capacity / heating element	17 lt. / 2,2 kW	17 lt. / 2,2 kW
Boiler: capacity / heating element	8 lt. / 9,0 kW	8 lt. / 9,0 kW
Power supply / Power installed	400V 3N 50Hz / 9,7 kW 230V 1N 50Hz / 6,7 kW	400V 3N 50Hz / 9,7 kW 230V 1N 50Hz / 6,7 kW
Dimensions (WxDxH)	620x736x1530/2007 mm	620x736x1530/2007 mm

## HOOD TYPE

CWC620 - Basket 600x500mm



Technical drawing no.8 on page 30

- Double skinned construction in AISI 304 stainless steel with insulation
- Molded tank with rounded corners
- No. 2 washing arms in AISI 304 stainless steel
- No. 2 rinse arms in AISI 304 stainless steel
- Balanced and insulated hood
- Usable washing height 420mm
- Automatic partial replacement of water in the tank with drain pump
- Atmospheric boiler rinse system with rinse pump (HTR)
- Three-stage dynamic filtering system integrated into the drain pump for the separation of residues and the control of the water level in the tank
- Fully electronic operation
- 4 programs with 7 washing cycles:
  - P1: Short 60", Crystal Cycles 60"
  - P2: Medium 90", Crystal Cycles 80"
  - P3: Long 150", 'Ultra Clean Pro' Sanitization Cycle 4min
  - P4: Set by the user, 3 to 10min
- Washing pump soft start
- Thermostop for controlling the rinse water temperature
- 'Stand-by' function to limit the activity of the heating elements during periods of non-use
- Self cleaning cycle available as standard
- Self-diagnosis system with error messages
- Detergent and rinse aid peristaltic pumps, electronically adjustable as standard

Provided:  
no. 1 flat-bottomed polypropylene basket, PB60G01  
no. 1 polypropylene basket for dishes, PB60D01  
no. 1 cutlery basket, PHOOS01

	CWC621D-1	CWC621SD
Basket dimensions (mm)	600x500mm	600x500mm
Basket / hour	72 max	72 max
Rinse system	Rinse pump and atmospheric boiler	Rinse pump and atmospheric boiler
Water consumption for cycle	2,9 lt	2,9 lt
Drain system	Drain pump and three-stage filter	Drain pump and three-stage filter
Softener	-	Integrated
Tank: capacity / heating element	22 lt. / 1,8 kW	22 lt. / 1,8 kW
Boiler: capacity / heating element	8 lt. / 9,0 kW	8 lt. / 9,0 kW
Power supply / Power installed	400V 3N 50Hz / 10 kW 230V 1N 50Hz / 7 kW	400V 3N 50Hz / 10 kW 230V 1N 50Hz / 7 kW
Dimensions (WxDxH)	734x760x1580/2000 mm	734x760x1580/2000 mm



# ECOLINE

HIGH PERFORMANCE, MAXIMUM EFFICIENCY, HYGIENE WITHOUT COMPROMISE

All Smeg dishwashers are designed with painstaking care, right down to the smallest detail, using the latest technology.

From the hydraulic circuit to the rotating arms, from the washing and rinsing nozzles to the filtering system: every single part guarantees excellent washing and rinsing results without the need for pre-treating the dishes.

**STRUCTURE** The careful design of the surfaces, all in AISI304 S/S, the rounded corners of the tank and of the door inner side, the moulded basket guides, all prevents grease and dirt from building up.

**WATER SOFTENER** The new ECOLINE range is equipped with an innovative water softener with continuous regeneration. The regeneration of the resins takes place during the wash phase and avoids the need to stop work for regeneration. Models equipped with water softener have a warning lamp in the control panel to indicate the need to top up the salt container.

**NEW COMBINED ARMS** The innovative combined upper and lower wash and rinse arms, with a quick release system, offer an increased wash height compared to a traditional double arm system.

**SPECIAL FUNCTIONS** Ecoline models are equipped as standard with two special features increasing their flexibility and hygiene: Clean Water and Extra Rinse. CLEAN WATER function allows to drain the tank completely and replace it with fresh hot water from the boiler. EXTRA RINSE function, enabled from control panel, allows a longer, more thorough rinsing of the items.

**CONSTANT WATER PRESSURE** The integrated rinsing pump ensures a constant flow pressure, irrespective of the mains pressure, thus allowing optimal rotation speed of the rinsing arms.

**SOFT START** To prevent breaking or chipping more delicate items, the initial water jet is delivered at a lower pressure - Soft Start - and then is gradually increased to the normal washing force.

## COMFORT

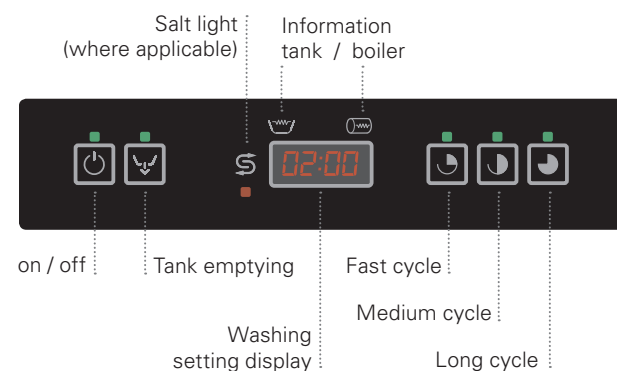
## GUARANTEED HYGIENE

## WASHING: EXCELLENT PERFORMANCE

**EASE OF USE** The intuitive display, simplifying the selection of the right program for each item, and the counterbalanced door, preventing steam escape, guarantee absolute ease of use.

**AUTOMATIC SELF-WASH** Smeg dishwashers are designed to automatically drain the tank and wash the internal chamber so that the dishwasher does not require cleaning by hand.

**DYNAMIC FILTERING SYSTEM** The combined action of triple stage filtration and drain pump enables the flow of dirty water to be separated and kept at the bottom of the tank until the end of the wash phase, when it is discharged. In this way all of the clean rinsing water remains in the tank.



Integral plastic tank filter with double stage filtration in the sump and additional micro filter for pump protection



## GLASSWASHER

UG405 - Basket 400x400mm



Technical drawing no.2 on page 28

- Single skinned construction in AISI 304 stainless steel
- Molded tank with rounded corners
- 2 combined wash and rinse arms with quick release system
- Double skinned insulated door
- Usable washing height 310mm
- Automatic partial replacement of water in the tank with drain pump
- Atmospheric boiler rinse system with rinse pump (HTR system)
- Integral plastic tank filter with double-stage filtration in the sump and additional micro filter for pump protection
- 3 washing cycles:
  - P1: Short 90"
  - P2: Medium 150"
  - P3: Long 240"
- FRESH WATER function for complete wash tank water replacement after each wash cycle
- EXTRA-RINSE function for a prolonged rinse
- Washing pump with 'Soft Start' system
- Thermostop for controlling the rinse water temperature
- Break tank as standard
- 'Stand-by' function to limit the activity of the heating elements during periods of non-use
- Self cleaning cycle available as standard
- Self-diagnosis system with error messages
- Detergent and rinse aid peristaltic pumps, electronically adjustable as standard

Provided:  
no. 2 flat-bottomed polypropylene basket, PB40G01

	UG405DUK	UG405DSUK
Basket dimensions (mm)	400x400mm	400x400mm
Basket / hour	40 max	40 max
Rinse system	Rinse pump and atmospheric boiler (HTR system)	Rinse pump and atmospheric boiler (HTR system)
Water consumption for cycle	2,3 lt	2,2 lt
Drain system	Drain pump and double-stage filter	Drain pump and double-stage filter
Softener	-	Included
Tank: capacity / heating element	8 lt. / 2,0 kW	8 lt. / 2,0 kW
Boiler: capacity / heating element	4 lt. / 2,3 kW	4 lt. / 2,3 kW
Power supply / Power installed	230V 1N 50Hz / 2,6 kW	230V 1N 50Hz / 2,6 kW
Dimensions (WxDxH)	440x530x710 mm	440x530x710 mm

## GLASSWASHER

UG505 - Basket 500x500mm



Technical drawing no.3 on page 28

- Single skinned construction in AISI 304 stainless steel
- Molded tank with rounded corners
- 2 combined wash and rinse arms with quick release system
- Double skinned insulated door
- Usable washing height 365mm
- Automatic partial replacement of water in the tank with drain pump
- Atmospheric boiler rinse system with rinse pump (HTR system)
- Integral plastic tank filter with double-stage filtration in the sump and additional micro filter for pump protection
- 3 washing cycles:
  - P1: Short 90"
  - P2: Medium 150"
  - P3: Long 240"
- FRESH WATER function for complete wash tank water replacement after each wash cycle
- EXTRA-RINSE function for a prolonged rinse
- Washing pump with 'Soft Start' system
- Thermostop for controlling the rinse water temperature
- Break tank as standard
- 'Stand-by' function to limit the activity of the heating elements during periods of non-use
- Self cleaning cycle available as standard
- Self-diagnosis system with error messages
- Detergent and rinse aid peristaltic pumps, electronically adjustable as standard

Provided:  
no. 2 flat-bottomed polypropylene basket, PB50G01

	UG505DUK	UG505DSUK
Basket dimensions (mm)	500x500mm	500x500mm
Basket / hour	40 max	40 max
Rinse system	Rinse pump and atmospheric boiler (HTR system)	Rinse pump and atmospheric boiler (HTR system)
Water consumption for cycle	3,2 lt	3,2 lt
Drain system	Drain pump and double-stage filter	Drain pump and double-stage filter
Softener	-	Included
Tank: capacity / heating element	13 lt. / 2,0 kW	13 lt. / 2,0 kW
Boiler: capacity / heating element	6 lt. / 5 kW	6 lt. / 5 kW
Power supply / Power installed	400V 3N 50Hz / 5,7 kW 230V 1N 50Hz / 4,0 kW 230V 1N 50Hz / 2,7 kW	400V 3N 50Hz / 5,7 kW 230V 1N 50Hz / 4,0 kW 230V 1N 50Hz / 2,7 kW
Dimensions (WxDxH)	580x600x820 mm	580x600x820 mm

## UNDERCOUNTER

UD505 - Basket 500x500mm



Technical drawing no.4 on page 29

- Single skinned construction in AISI 304 stainless steel
- Molded tank with rounded corners
- 2 combined wash and rinse arms with quick release system
- Double skinned insulated door
- Usable washing height 365mm
- Automatic partial replacement of water in the tank with drain pump
- Atmospheric boiler rinse system with rinse pump (HTR system)
- Integral plastic tank filter with double-stage filtration in the sump and additional micro filter for pump protection
- 3 washing cycles:  
P1: Short 90"  
P2: Medium 150"  
P3: Long 240"
- FRESH WATER function for complete wash tank water replacement after each wash cycle
- EXTRA-RINSE function for a prolonged rinse
- Washing pump with 'Soft Start' system
- Thermostop for controlling the rinse water temperature
- Break tank as standard
- 'Stand-by' function to limit the activity of the heating elements during periods of non-use
- Self cleaning cycle available as standard
- Self-diagnosis system with error messages
- Detergent and rinse aid peristaltic pumps, electronically adjustable as standard

Provided:  
no. 1 flat-bottomed polypropylene basket, PB50G01  
no. 1 polypropylene basket for dishes, PB50D01  
no. 1 cutlery basket, PHOOS02

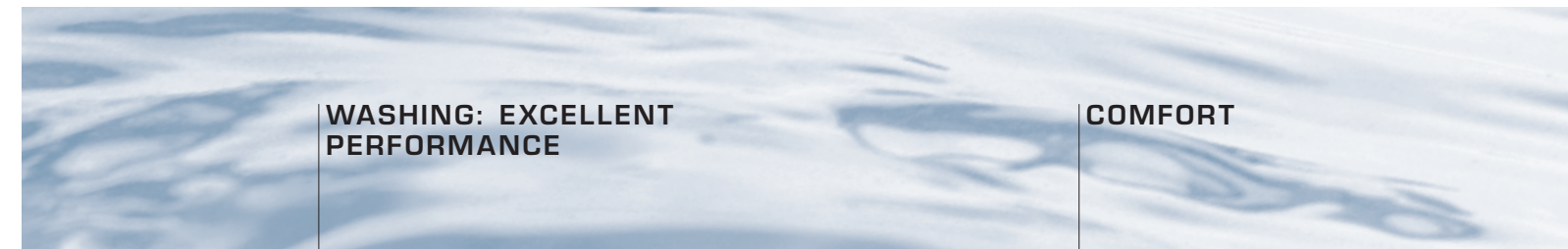
	UD505DUK	UD505DSUK
Basket dimensions (mm)	500x500mm	500x500mm
Basket / hour	40 max	40 max
Rinse system	Rinse pump and atmospheric boiler (HTR system)	Rinse pump and atmospheric boiler (HTR system)
Water consumption for cycle	3,2 lt	3,2 lt
Drain system	Drain pump and double-stage filter	Drain pump and double-stage filter
Softener	-	Included
Tank: capacity / heating element	13 lt. / 2,0 kW	13 lt. / 2,0 kW
Boiler: capacity / heating element	6 lt. / 5 kW	6 lt. / 5 kW
Power supply / Power installed	400V 3N 50Hz / 5,7 kW 230V 1N 50Hz / 4,0 kW 230V 1N 50Hz / 2,7 kW	400V 3N 50Hz / 5,7 kW 230V 1N 50Hz / 4,0 kW 230V 1N 50Hz / 2,7 kW
Dimensions (WxDxH)	580x600x820 mm	580x600x820 mm

## TOTAL WATER EXCHANGE DISHWASHERS

TOTAL HYGIENE, MAXIMUM FLEXIBILITY, EASE OF USE

The new dishwashers with double basket and clean water washing system allow to wash mixed and diversified items at the same time, ensuring excellent results.

The Thermal disinfection programs allow the elimination of bacterial load for maximum hygiene.



	WASHING: EXCELLENT PERFORMANCE	COMFORT
CLEAN WATER	The complete renewal of the washing water at each cycle allows the detergent to act more efficiently ensuring impeccable results with minimum power consumption.	EASE OF USE Special baskets dedicated to dishes and glasses and a simple and user-friendly interface facilitate its use in any environment and by any operator.
THERMAL DISINFECTION	Two programs dedicated to the Thermal disinfection cycle submit the dishes to a washing temperature of 93°C for 5 or 10 min. This allows a reduction of the bacterial load as required by the criteria of the European standard EN15883-1.	

ABSOLUTE HYGIENE OF THERMAL DISINFECTION





## TOTAL WATER EXCHANGE

SWT262 - Thermal disinfection function



Technical drawing no.9 on page 31

- Double skin construction in AISI 304 stainless steel with insulation
- Molded tank with rounded corners
- No. 2 impellers in AISI 304 stainless steel
- Balanced and insulated door with gasket
- Door safety lock and automatic opening at end of cycle
- Automatic total replacement of water at every washing cycle
- Fully electronic operation
- 7 washing programs:
  - HIGH RINSE TEMPERATURE - RINSE 85°C
    - P1: Normal soil, 1' rinse, 21'
    - P2: Heavy soil, 1' rinse, 31'
    - P3: Normal soil, 3' rinse, 23'
    - P4: Heavy soil, 3' rinse, 34'
  - THERMODISINFECTION - RINSE 93°C
    - P5: Normal soil, 5' rinse, 35'+10'
    - P6: Heavy soil, 10' rinse, 50'+10'
    - P7: Soaking/ Prewash, 5'
- Wash pump soft start
- Rinse system with pump and constant water pressure and temperature
- Integral tank filter in stainless steel
- Steam condensing system

### ACCESSORIES:

- Lower rack for basket 500x500mm, KSLR260
- Kit peristaltic pump for detergent and rinse aid, KD260
- Sensor kit for low liquid chemical warnings, KSL260
- Kit Acquastop system

	SWT262M	SWT262T	SWT262TD
Washing capacity	2 baskets	2 baskets	2 baskets
Dispenser detergent and rinse aid	Integrated in the door (for powder chemical)	Integrated in the door (for powder chemical)	Peristaltic pump (for liquid chemical)
Washing and rinse water heating element	6,34 kW	6,34 kW	6,34 kW
Power supply / Total power installed	230V 1N 50Hz / 6,7 kW	400V 3N 50Hz / 6,7 kW 230V 3 50Hz / 6,7 kW 230V 1N 50Hz / 3,5 kW	400V 3N 50Hz / 6,7 kW 230V 3 50Hz / 6,7 kW 230V 1N 50Hz / 3,5 kW
Outside dimensions (WxDxH)	600x600x850 mm	600x600x850 mm	600x600x850 mm

The times shown are for dishwasher supplied with hot water (>50°C <60°C) and with 6,7 kW power installed

## TOTAL WATER EXCHANGE

SW262 - Quick Cycle



Technical drawing no.9 on page 31

- Double skin construction in AISI 304 stainless steel with insulation
- Molded tank with rounded corners
- No. 2 impellers in AISI 304 stainless steel
- Balanced and insulated door with gasket
- Door safety lock and automatic opening at end of cycle
- Automatic total replacement of water at every washing cycle
- Fully electronic operation
- 7 washing programs:
  - QUICK CYCLE
    - P1: Glasses cycle, cold rinse, 6'
    - P2: Recent light soil, 8' / 6'\*
    - P3: Recent medium soil, 10' / 8'\*
    - P4: Dry light soil, 15'
    - P5: Dry medium soil, 22'
    - P6: Dry heavy soil, 26'
    - P7: Soaking/ Prewash, 5'
- 'REPEAT' function, enabled for P2 and P3 programs
- Wash pump soft start
- Rinse system with pump and constant water pressure and temperature
- Integral tank filter in stainless steel

### ACCESSORIES:

- Lower rack for basket 500x500mm, KSLR260
- Kit peristaltic pump for detergent and rinse aid, KD260
- Sensor kit for low liquid chemical warnings, KSL260
- Kit Acquastop system

	SW262M	SW262T
Washing capacity	2 baskets	2 baskets
Dispenser detergent and rinse aid	Integrated in the door (for powder chemical)	Integrated in the door (for powder chemical)
Washing and rinse water heating element	6,34 kW	6,34 kW
Power supply / Total power installed	230V 1N 50Hz / 6,7 kW	400V 3N 50Hz / 6,7 kW 230V 3 50Hz / 6,7 kW 230V 1N 50Hz / 3,5 kW
Outside dimensions (WxDxH)	600x600x850 mm	600x600x850 mm

\* Cycle time with 'REPEAT' function activated

The times shown are for dishwasher supplied with hot water (>50°C <60°C) and with 6,7 kW power installed

## ACCESSORIES

## GLASSWASHERS - Basket 400x400mm

### Baskets in filled polypropylene



Universal flat-bottomed basket, dim. 400x400 mm  
**PB40G01**

PHOOS01



Cutlery basket, single compartment  
**PHOOS01**

PHOOS02

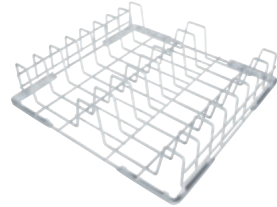


Cutlery basket, six compartments  
**PHOOS02**

### Baskets in rilsan-coated wire



Universal flat-bottomed coarse-mesh basket,  
dim. 400x400 mm  
**WB40G01**



Basket for no. 8 plates Ø 315 mm, dim. 400x400  
**WB40D01**



Slanted-bottom basket for stem glasses  
max. Ø 90 mm, dim. 400x400 mm  
**WB40G02**

### Stand

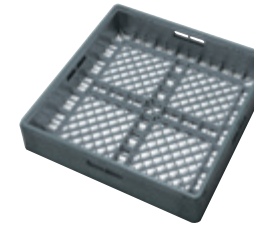


Stand for dishwasher, dim. (WxDxH)  
500x500x490 mm  
**WP01**

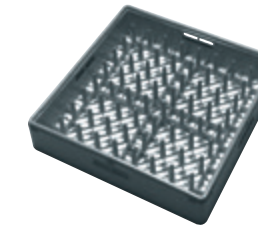
## ACCESSORIES

## UNDERCOUNTER / FRONT LOADING - Basket 500x500mm

### Baskets in filled polypropylene



Universal flat-bottomed basket, dim. 500x500 mm  
**PB50G01**



Basket for no. 18 plates Ø 250 mm, dim. 500x500  
**PB50D01**

PHOOS01



Cutlery basket, single compartment  
**PHOOS01**

PHOOS02

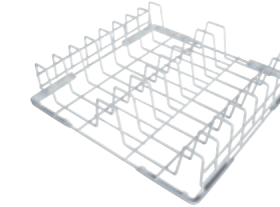


Cutlery basket, six compartments  
**PHOOS02**

### Baskets in rilsan-coated wire



Universal flat-bottomed coarse-mesh basket,  
dim. 500x500 mm  
**WB50G01**



Basket for no. 18 plates Ø 250 mm and for  
self-service trays, dim. 500x500 mm  
**WB50D01**



Slanted-bottom basket for stem glasses, dim. 500x500  
**WB50G03** max 72mm Ø  
**WB50G02** max 90mm Ø  
**WB50G04** max 135mm Ø

### Stand



Stand for front loading dishwasher, dim. (WxDxH)  
600x600x500 mm  
**WP02**



Basket for 7 GN1/1 20 mm deep baking tins,  
dim. 500x500 mm  
**WB50T02**

## ACCESSORIES

### Baskets in filled polypropylene

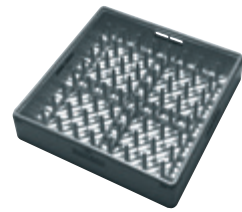


Universal flat-bottomed basket, dim. 600x500 mm  
**PB60G01**

Universal flat-bottomed basket, dim. 500x500 mm  
**PB50G01**



Cutlery basket, 6 compartments  
**PHOOS02**



Basket for no.22 plates Ø 250 mm, dim.600x500  
**PB60D01**

Basket for no.18 plates Ø 250 mm, dim.500x500  
**PB50D01**



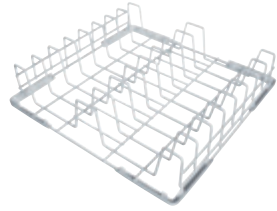
Cutlery basket, 8 compartments  
**PHOOS03**

### Baskets in Rilsan-coated wire



Universal flat-bottomed coarse-mesh basket,  
**WB60G01** dim.580x500 mm

**WB50G01** dim.500x500 mm



Basket for plates, dim.600x500 mm  
**WB60D01** 24 plates ø 260mm

**WB60D02** 16 plates ø 320mm



Basket for no.18 plates Ø 250 mm and for self-service trays, dim.500x500 mm  
**WB50D01**



Basket for 5 trays 600x400mm, 600x500mm  
**WB60T03**

Basket for 7 GN1/1, 20 mm deep baking tins, 500x500mm  
**WB50T02**



Slanted-bottom basket for stem glasses, 500x500mm  
**WB50G03** max 72mm Ø

**WB50G02** max 90mm Ø

**WB50G04** max 135mm Ø

### Dispencer

Detergent peristaltic pump, for CWC510 and CWC610

**K06**

### Booster pump kit

Booster pump kit, for series CWC610

**KAP06**

## HOOD TYPE - Basket 500x500mm and 600x500mm

## WATER TREATMENT

### Cabinet unit suitable for Hood type



## REVERSE OSMOSIS UNIT

### WO-04

Suitable for models	nr.1 Hood type
Construction	AISI 304 stainless steel
Pre-treatment of incoming water	active carbon filter
Input water: Hardness / Temperature / Pression	max 40°F / max 30°C / min 1,5 - max 6 bar
Water production *	80 ÷ 120 lt/h
Production rate	50%
Output water conductivity *	5-30 µS/cm
Water tank capacity	Expansion tank 24 lt (usable 8 lt)
Dimensions (WxDxH)	300x462x688mm
Power supply / Power installed	230V 1N 50Hz / 0,25 kW

### Cabinet unit suitable for Front-loading or Glasswasher



### WO-03

Suitable for models	nr.1 Front-loading or Glasswasher
Construction	AISI 304 stainless steel / Plastic front panel
Pre-treatment of incoming water	active carbon filter
Input water: Hardness / Temperature / Pression	max 40°F / max 30°C / min 1,5 - max 6 bar
Water production *	60 ÷ 80 lt/h
Production rate	40%
Output water conductivity *	5-30 µS/cm
Water tank capacity	Expansion tank 18 lt (usable 6 lt)
Dimensions (WxDxH)	275x500x460mm
Power supply / Power installed	230V 1N 50Hz / 0,25 kW

### Cabinet unit suitable for Glasswasher or Front-loading



### WO-10

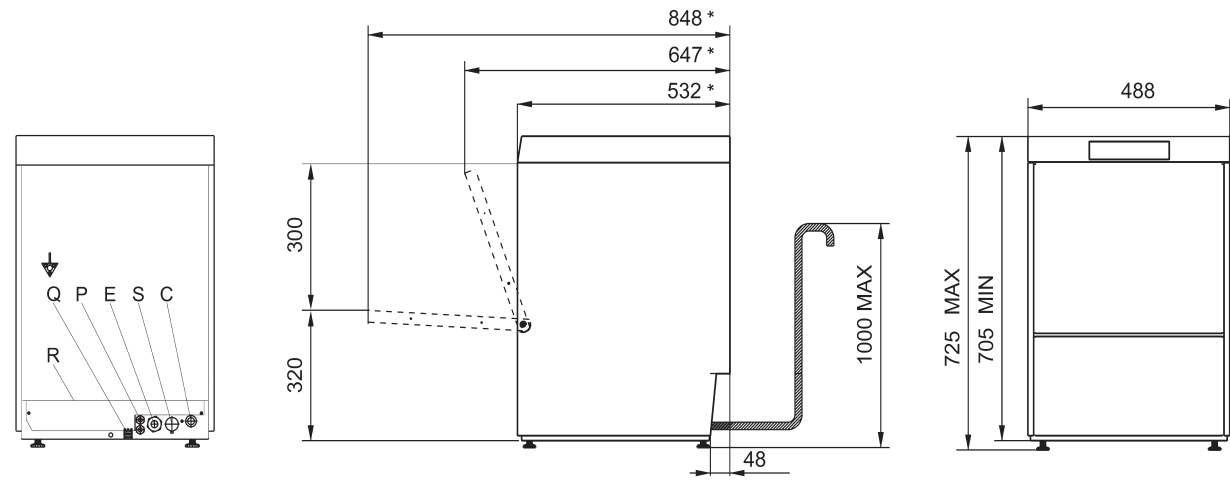
Suitable for models	nr.1 Glasswasher series CWG420 or CWG430 or nr.1 Front-loading series CW520 or CW530
Construction	AISI 304 stainless steel
Pre-treatment of incoming water	active carbon filter
Input water: Hardness / Temperature / Pression	max 40°F / max 30°C / min 1,5 - max 6 bar
Water production *	120 lt/h
Production rate	40%
Output water conductivity *	5-30 µS/cm
Water tank capacity	n.a.
Dimensions (WxDxH)	143x450x456mm
Power supply / Power installed	230V 1N 50Hz / 0,15 kW
Optional	FLT06WO-10, nr.6 active carbon filter

\* The production and the conductivity depends on the chemical characteristics of the water input and the state of clogging of the membranes



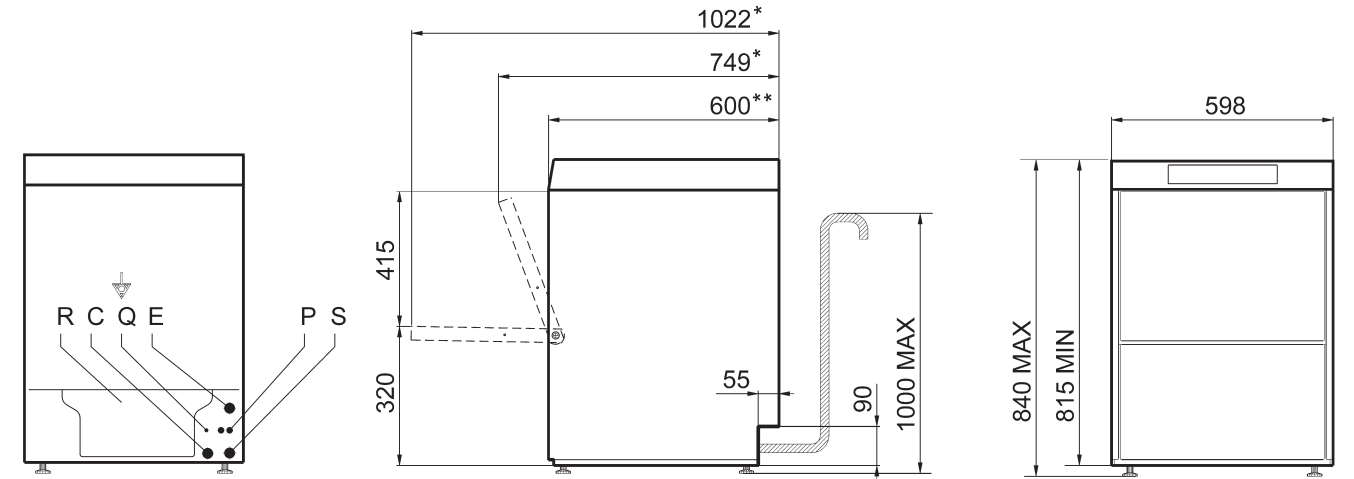
Technical drawing no. 1

GLASSWASHERS - Basket 400x400mm



Technical drawing no. 4

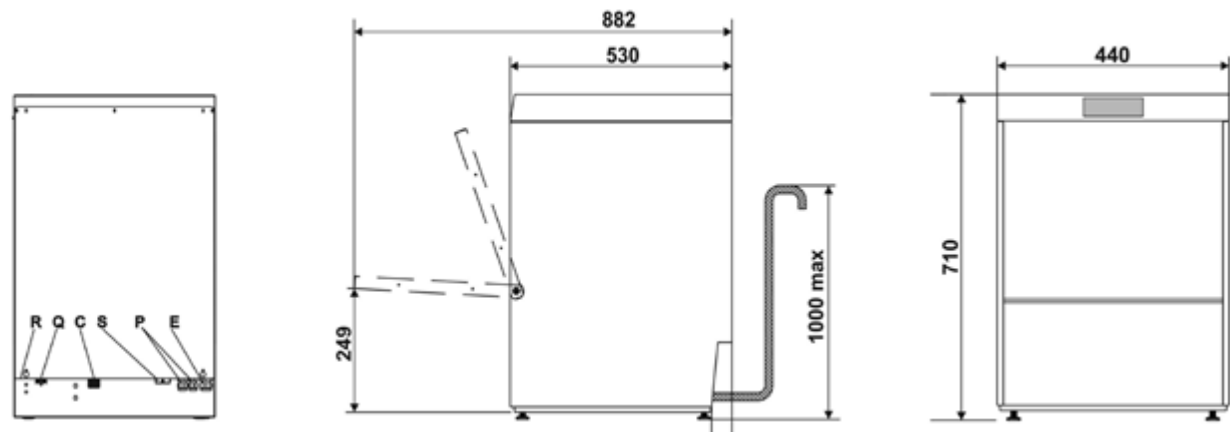
UNDERCOUNTER - Basket 500x500mm



\*\* In the models CW526D and CW526SD the depth increases to 80mm

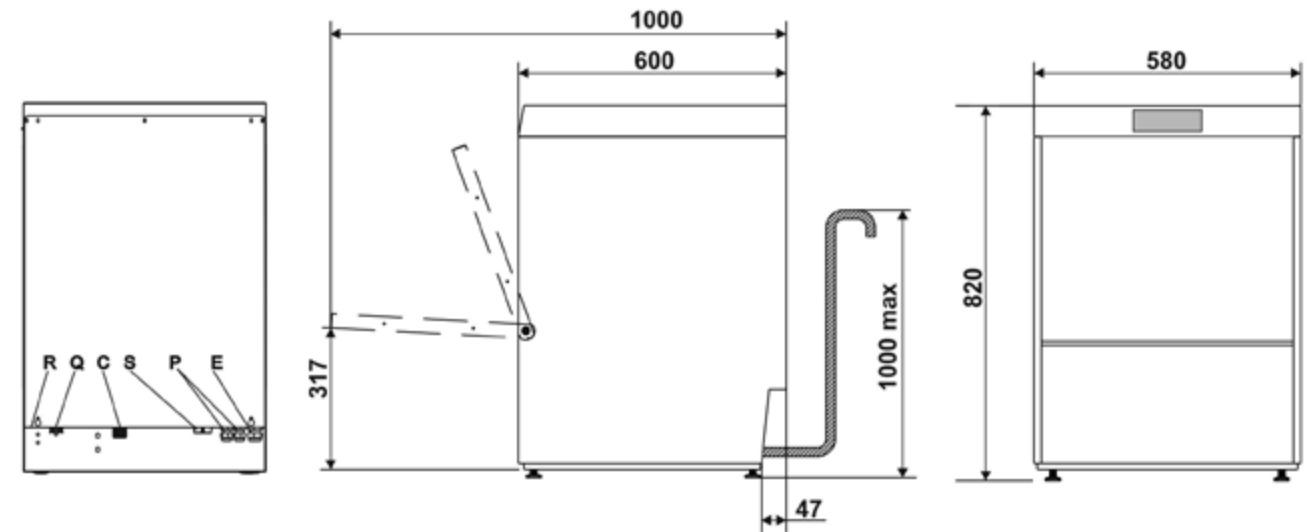
Technical drawing no. 2

GLASSWASHERS - Basket 400x400mm



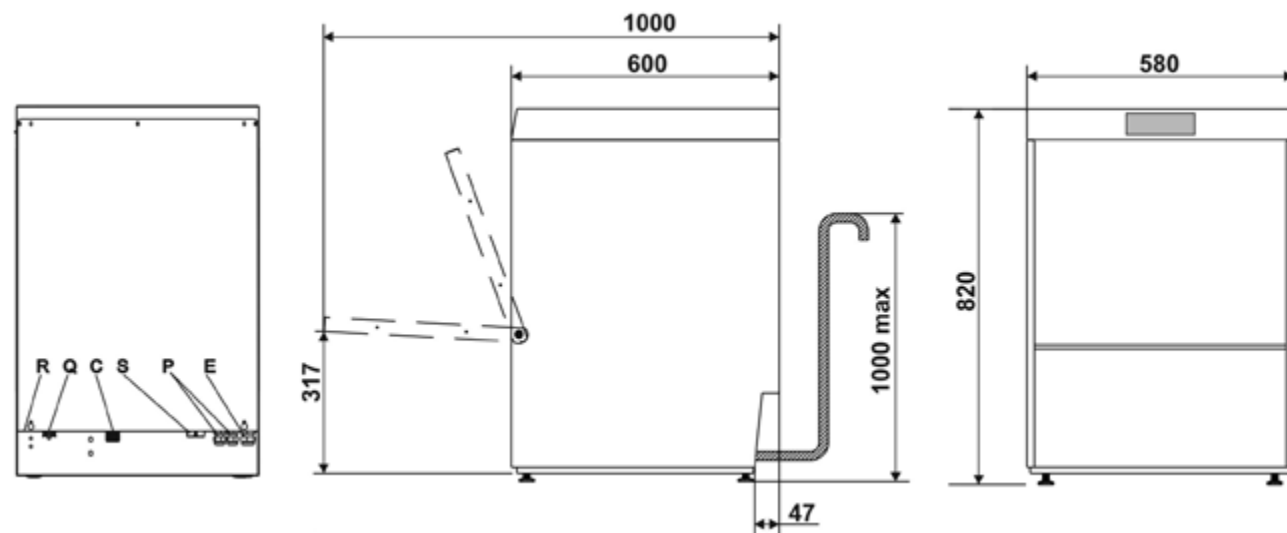
Technical drawing no. 5

UNDERCOUNTER - Basket 500x500mm



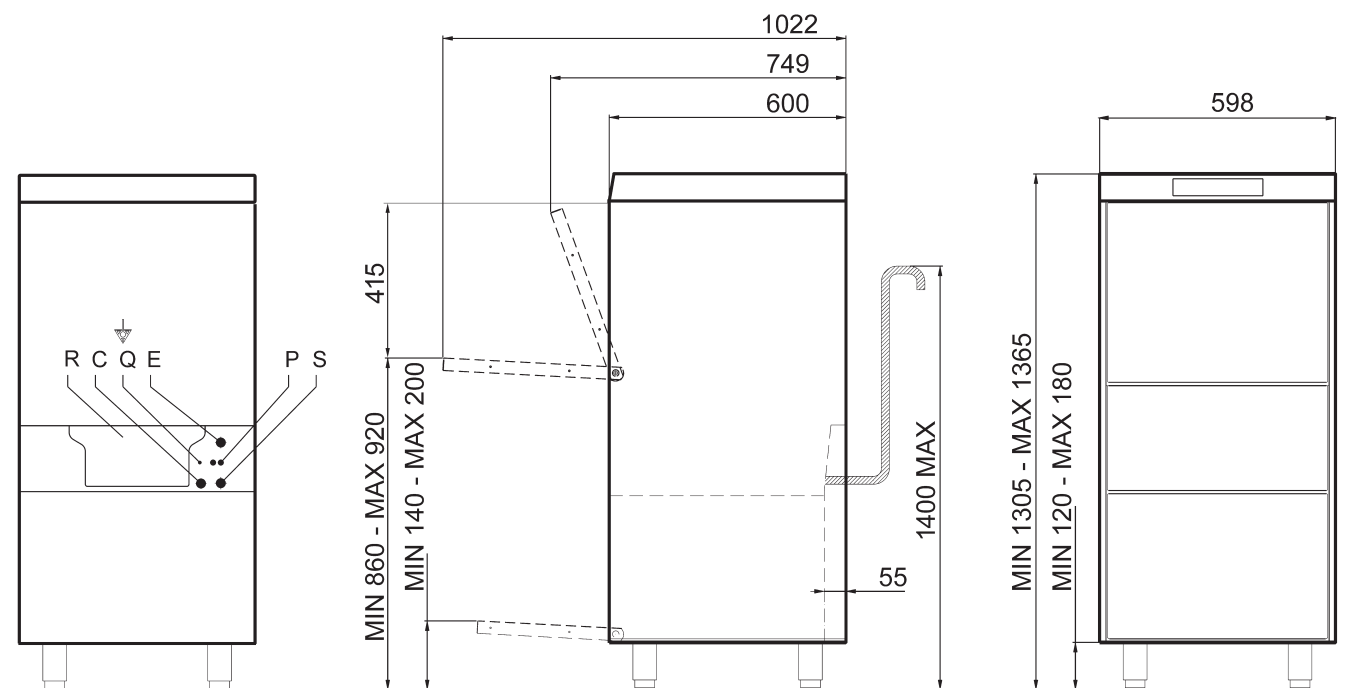
Technical drawing no. 3

GLASSWASHERS - Basket 500x500mm



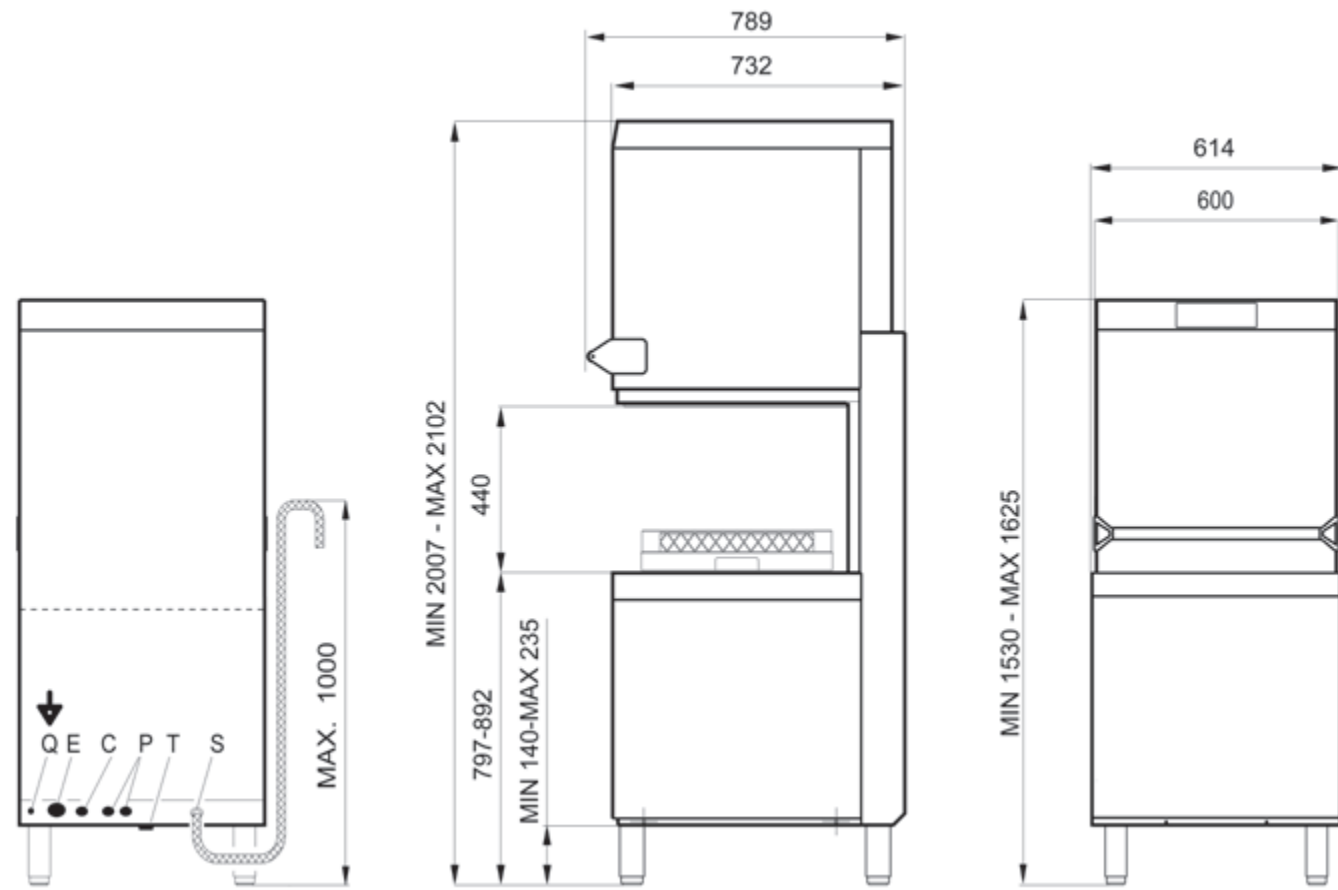
Technical drawing no. 6

FONT-LOADING - Basket 500x500mm



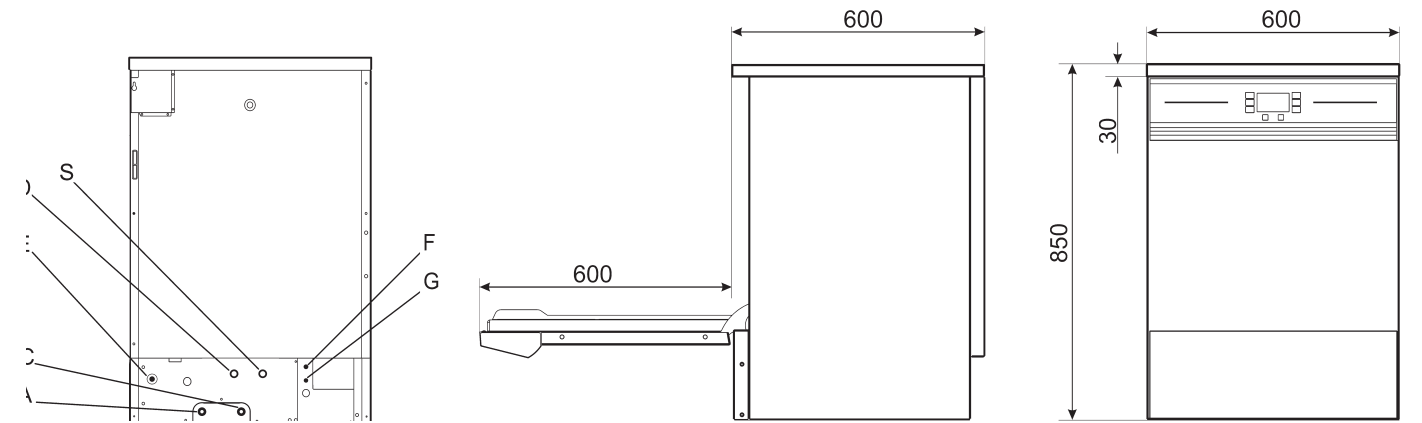
Technical drawing no. 7

HOOD TYPE - Basket 500x500mm



Technical drawing no. 9

TOTAL WATER EXCHANGE DISHWASHERS



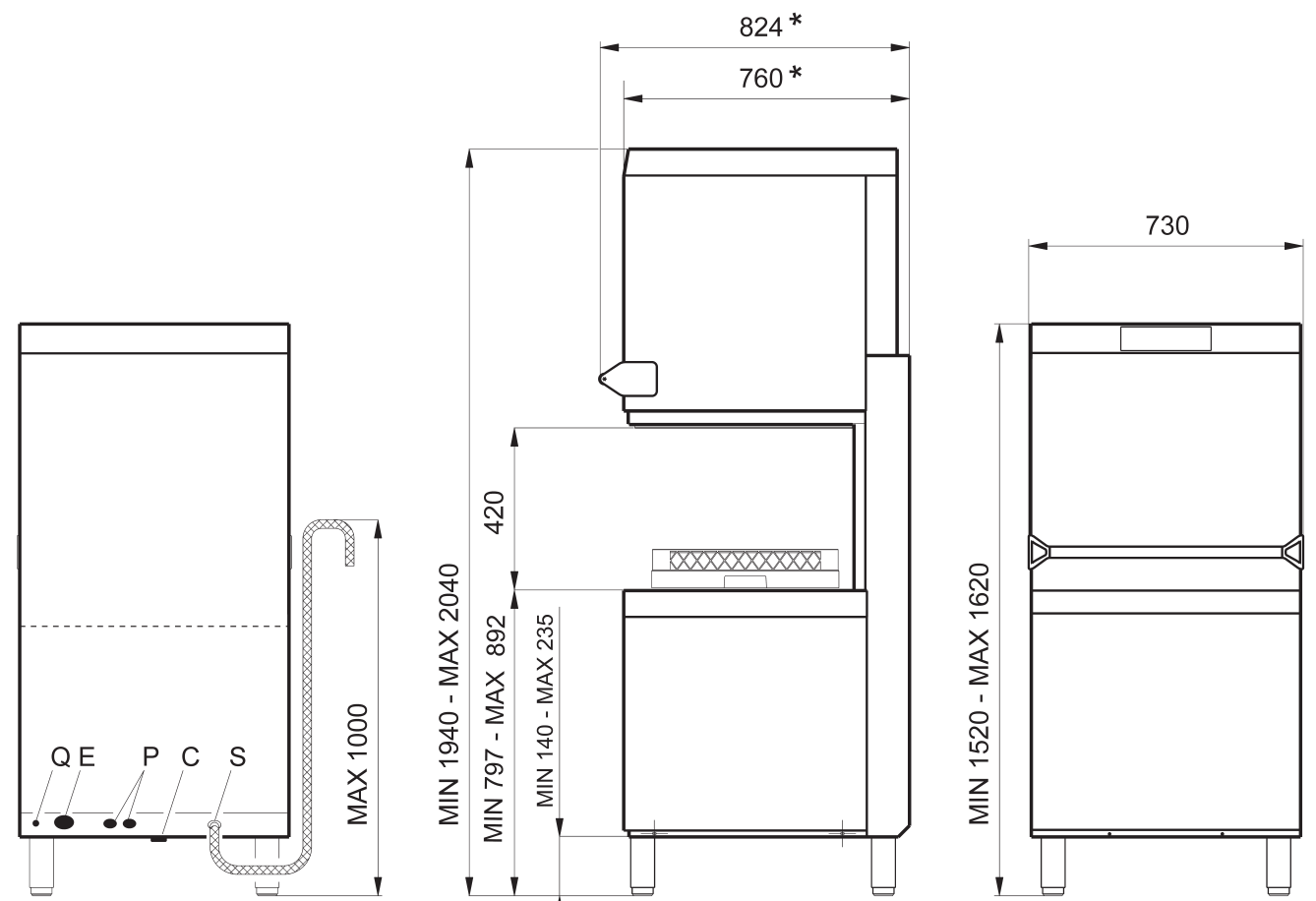
CONNECTION DIAGRAM REFERENCES

R	Lower back panel
C	Intake water pipe
A	Intake hot water pipe
S	Wastewater pipe
D	Condensate steam drain pipe
Q	Equipotential terminal

P	Peristaltic dispensers pipes
E	Electricity supply cable
F	Peristaltic intake pipe P1 and cable detergent level in tank P1
G	Peristaltic intake pipe P2 and cable detergent level in tank P2

Technical drawing no. 8

HOOD TYPE - Basket 600x500mm



\* In the models CWC631DHE and CWC621DH (with SHR - Steam Heat Recovery) the depth increases to 60mm

The times shown are for dishwasher supplied with hot water and, where applicable, with three-phase electrical connection







[SmegFoodservice.co.uk](https://SmegFoodservice.co.uk)



**Smeg (UK) Ltd**

The Magna Building, Wyndyke Furlong, Abingdon, Oxfordshire, OX14 1DZ  
T - 0844 5731370 F - 0844 5574355  
SmegFoodservice.co.uk foodservice@smeguk.com

