



P6P3 - Panther 670 Series  
Free-standing Hot  
Cupboard - Plain Top - W  
1205 mm - 1.5 kW

A great solution for holding and transporting food at the perfect temperature, the Panther 670 Series Hot Cupboard is designed to fit through narrow doorways, so is ideal for pubs and smaller restaurants as well as nursing and care homes where plated meals are to be transported from the kitchen to the residents.

- ✓ 670mm depth allows access through narrow door openings also ideal to fit through narrow corridors
- ✓ Ideal for small restaurants, cafes and pubs, as well as nursing and care homes, where the easy transportation of plated meals to diners and residents is a necessity.
- ✓ Fan assisted hot cupboard provides even heat distribution, fast heat up and recovery times, and lower energy usage. Four shelf positions allow adjustment to meet individual needs.
- ✓ Fully 1/1 GN compatible hot cupboard for operational efficiency. Units available to take 3 x 1/1 GN containers up to 150mm deep.
- ✓ Accurate digital electronic control of the hot cupboard temperature, adjustable between 20 and 99 degrees C, ensures compliance with food hygiene regulations
- ✓ Double skinned construction provides efficient heat retention and a cool to touch exterior - safe and energy efficient. Removable doors and shelves allow access to the fully stainless steel interior for easy cleaning
- ✓ Supplied with two heavy duty multi-section chrome plated rod shelves capable of taking the heaviest loads

**Specifications**

Summary		Power and Performance	
<b>Range Name</b>	Panther	<b>Total Power kW</b>	1.5
<b>Power Type</b>	Electric	<b>Temperature Range °C</b>	20 - 99
<b>Unit Type</b>	Free-standing	<b>IP Rating</b>	IP24
<b>Available in UK Only</b>	No	<b>Plate Capacity</b>	316
<b>UK Warranty</b>	2 Years Parts and Labour Warranty	<b>Temperature Control</b>	Electronic
<b>Export Warranty</b>	Contact your local dealer		
<b>GTIN Code</b>	5056105103448		

Key Specifications		Weights and Dimensions	
<b>Number of Shelves included</b>	2	<b>Unit Height (External) mm</b>	900
<b>Number of Shelf Positions</b>	4	<b>Unit Width (External) mm</b>	1205
<b>Heated Base</b>	Yes	<b>Unit Depth (External) mm</b>	670
<b>Heated Gantry</b>	No	<b>Height (Internal) mm</b>	432
<b>Static or Mobile</b>	Mobile	<b>Width (Internal) mm</b>	1020
		<b>Depth (Internal) mm</b>	512
		<b>Shelf Dimensions Width mm</b>	980
		<b>Shelf Dimensions Depth mm</b>	512
		<b>Net Weight Kg</b>	87.5

Supply Connections		Shipping	
Requires Installation	No	Packed Weight Kg	103.7
Requires Electrical Supply	Yes	Packed Height cm	103
UK 3 Pin Plug	Yes	Packed Width cm	120
Requires Hardwiring	No	Packed Depth cm	80
Electrical Supply Rating Watts	1,500		
Single Phase Amps	6.5		
Single Phase Voltage	230		

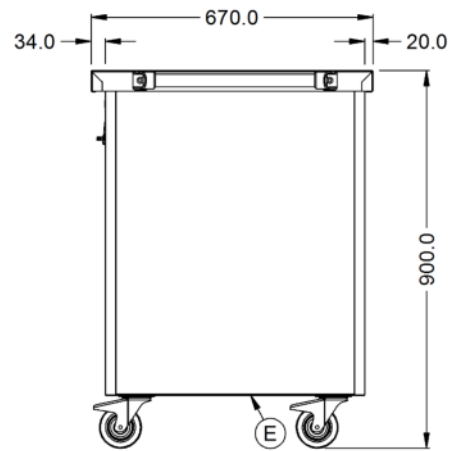
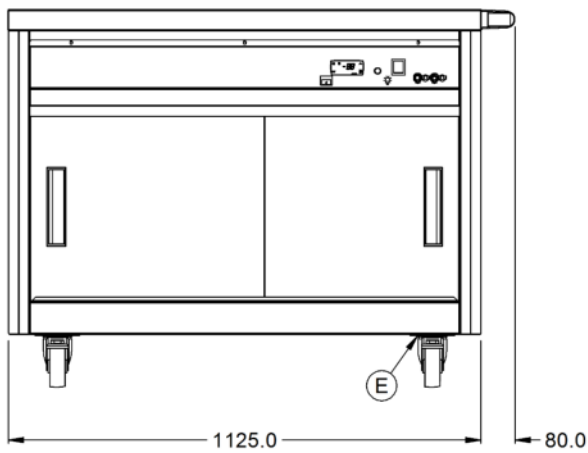
### Available Options

<b>Overshelf or Gantry</b>	
PG3A	PG3A - Ambient Gantry
PG3H	PG3H - Heated Gantry
PS3A1	PS3A1 - 1 Ambient Overshelf
PS3A2	PS3A2 - 2 Ambient Overshelves
PS3A3	PS3A3 - 3 Ambient Overshelves
PS3H1	PS3H1 - 1 Heated Overshelf
PS3H2	PS3H2 - 2 Heated Overshelves
PS3H3	PS3H3 - 3 Heated Overshelves
<b>Door Locks</b>	
PDL3	PDL3 - Lockable Door
<b>Corner Guards</b>	
PCG	PCG - Corner Guards [Set of Four]
<b>Trayslides</b>	
PTS3	PTS3 - Tray Slide
<b>Legs/Castors</b>	
PLK	PLK - Legs [non chargeable]

### Available Accessories

PLK/S	PANTHER LEG KIT FOR CONVERSION IN THE FIELD
-------	---

### Technical Picture



**Lincat Limited**

Whisby Road,  
Lincoln, LN6 3QZ,  
United Kingdom

**Company No:** 2175448

A member company of



**Customer Care**

**Tel:** +44 1522 875500  
**Email:** care@lincat.co.uk

**Export Customers**

**Tel:** +44 1522 503250  
**Email:** export@lincat.co.uk

**Opening Hours**

**Monday – Friday:**  
8.30am – 5pm