



OD8007/P - Opus 800  
Dual Fuel [Propane Gas]  
Free-standing Oven  
Range - 6 Burners - W  
900 mm - 40.2 kW

This powerful Opus 800 dual fuel oven is built to deliver high volumes of top quality food and will withstand the rigours of even the busiest kitchen.

- ✔ Powerful 7.5kW dual concentric Burners for focused heat distribution from a fast boil to a low simmer
- ✔ Individual heavy-duty single cast iron supports, built to withstand the rigours of the busiest kitchen
- ✔ Low flue to allow use of the complete hob top
- ✔ Powerful 6kW twin fan assisted oven for even cooking results
- ✔ Large 6 x GN1/1 capacity oven enabling six different foods to be cooked simultaneously
- ✔ Dual Fuel Oven Ranges

**Specifications**

**Summary**

<b>Range Name</b>	Opus 800
<b>Power Type</b>	Dual Fuel
<b>Gas Type</b>	Propane Gas
<b>Unit Type</b>	Free-standing
<b>Available in UK Only</b>	No
<b>UK Warranty</b>	2 Years Parts and Labour Warranty
<b>Export Warranty</b>	Contact your local dealer
<b>GTIN Code</b>	5056105102335

**Power and Performance**

<b>BTU per Hour</b>	137,168
<b>Gastronorm Capacity</b>	6 x GN1/1
<b>Total Power kW</b>	40.2
<b>Temperature Range °C</b>	120 - 280
<b>IP Rating</b>	IP24
<b>Temperature Control</b>	Mechanical
<b>Rating per Hob kW</b>	6.7
<b>Oven Rating kW</b>	6.0

**Key Specifications**

<b>Number of Shelves included</b>	3
<b>Number of Shelf Positions</b>	5
<b>Number of Hobs</b>	6
<b>Shape of Hob</b>	Square

**Weights and Dimensions**

<b>Unit Height (External) mm</b>	912
<b>Unit Width (External) mm</b>	900
<b>Unit Depth (External) mm</b>	800
<b>Height (Internal) mm</b>	410
<b>Width (Internal) mm</b>	825
<b>Depth (Internal) mm</b>	530
<b>Shelf Dimensions Width mm</b>	770
<b>Shelf Dimensions Depth mm</b>	530
<b>Hob Dimensions mm</b>	300 x 300
<b>Net Weight Kg</b>	186

### Supply Connections

Requires Installation	Yes
Requires Electrical Supply	Yes
UK 3 Pin Plug	No
Requires Hardwiring	Yes
Electrical Supply Rating Watts	6,060
Single Phase Amps	26.0
Single Phase Voltage	230
Three Phase Amps	L1=9.0 ; L2=8.7 ; L3=8.7
Three Phase Voltage	400
Gas Connection BSP	3/4"
Gas Consumption at full rate Propane m <sup>3</sup> per Hour	2.87
Gas Pressure Propane mbar	37.0
Total heat input at full rate Propane kW	40.2
Total heat input at full rate Propane BTU per hour	137,168

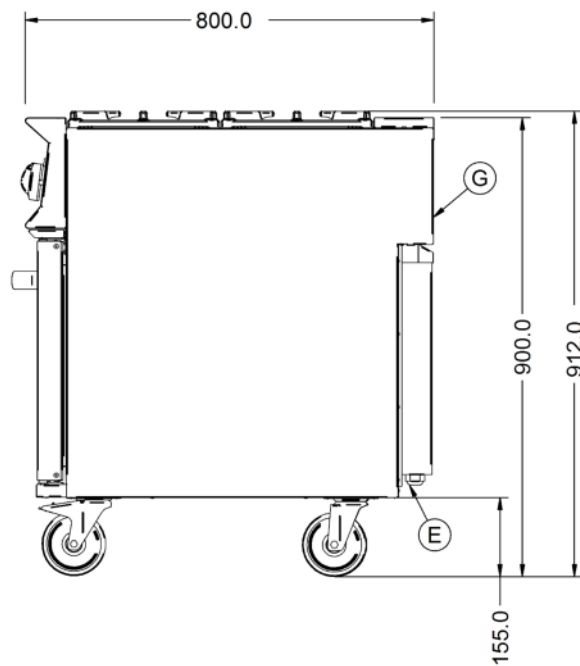
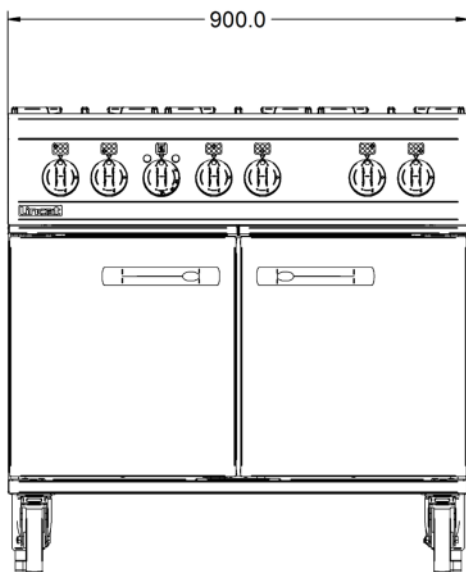
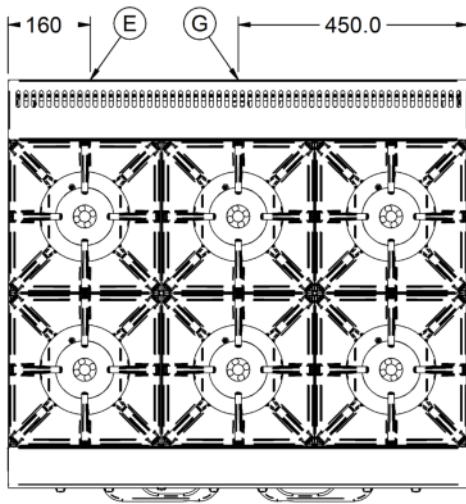
### Shipping

Packed Weight Kg	201
Packed Height cm	107
Packed Width cm	100
Packed Depth cm	85

### Available Accessories

CH01	CATERFLEX HOSE 1/2" 1 METRE
CH02	CATERFLEX HOSE 1/2" 1.5 METRE
LK06	OPUS 800 LEG KIT
OA8985	SPLASHBACK/SHELF - OD8007

### Technical Picture



**Lincat Limited**

Whisby Road,  
Lincoln, LN6 3QZ,  
United Kingdom

**Company No:** 2175448

A member company of



**Customer Care**

**Tel:** +44 1522 875500  
**Email:** care@lincat.co.uk

**Export Customers**

**Tel:** +44 1522 503250  
**Email:** export@lincat.co.uk

**Opening Hours**

**Monday – Friday:**  
8.30am – 5pm