



Installation, Operating and Servicing Instructions

Silverlink 600 Electric Grill GR3

Please make a note of your product details for
future use:

Date Purchased: _____

Model Number: _____

Serial Number: _____

Dealer: _____

SILVERLINK 600

CONTENTS

Important Information	2
Warnings and Precautions	3
Technical Data	3
Checklist of Enclosures	3
Installation and Commissioning	3-4
Operating Instructions	5
Cleaning	5
Servicing, Maintenance and Component Replacement	5
Fault Finding	5
Spare Parts List	5
Accessories	6
Service Information and Guarantee	7

IMPORTANT INFORMATION



Read these instructions carefully before using this product, paying particular attention to all sections that carry warning symbols, caution symbols and notices. Ensure that these are understood at all times.



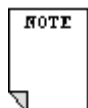
WARNING!

This symbol is used whenever there is a risk of personal injury.



CAUTION!

This symbol is used whenever there is a risk of damaging your Lincat product.



NOTE:

This symbol is used to provide additional information, hints and tips.

KEEP THIS MANUAL FOR FUTURE REFERENCE

WARNINGS AND PRECAUTIONS



This appliance must be installed, commissioned and serviced by a qualified person in accordance with national and local regulations in force in the country of installation.

If the supply cord is damaged, it must be replaced by the manufacturer, its service agent or similarly qualified person.

Ensure that the plug/socket is accessible at all times.

Strip plastic coating and clean the appliance before use.

During operation parts may become hot - avoid accidental contact.

Disconnect this appliance before servicing, maintenance or cleaning.

TECHNICAL DATA

Model	Height (mm)	Width (mm)	Depth (mm)	Weight (kg)
GR3	310	600	382	18.8

CHECK LIST OF ENCLOSURES

Warranty card
Instructions manual
Crumb tray
Toast rack

INSTALLATION AND COMMISSIONING

This appliance must be earthed.



An equipotential bonding terminal is provided to allow cross bonding with other equipment.

If replacing the plug connect the terminals as follows:

Green and Yellow wire	Earth	E
Blue wire	Neutral	N
Brown wire	Live	L

Install this appliance on a level surface ensuring all vents are unobstructed. Any partitions, walls or furniture must be of non-combustible material. Minimum distances A 100mm B 500mm – see Fig 1.

If the unit is installed above or adjacent to a heat source, the maximum temperature surrounding the unit must be no greater than 50°C. The installer will need to use an insulated shelf and install heat shields to protect the unit as required.

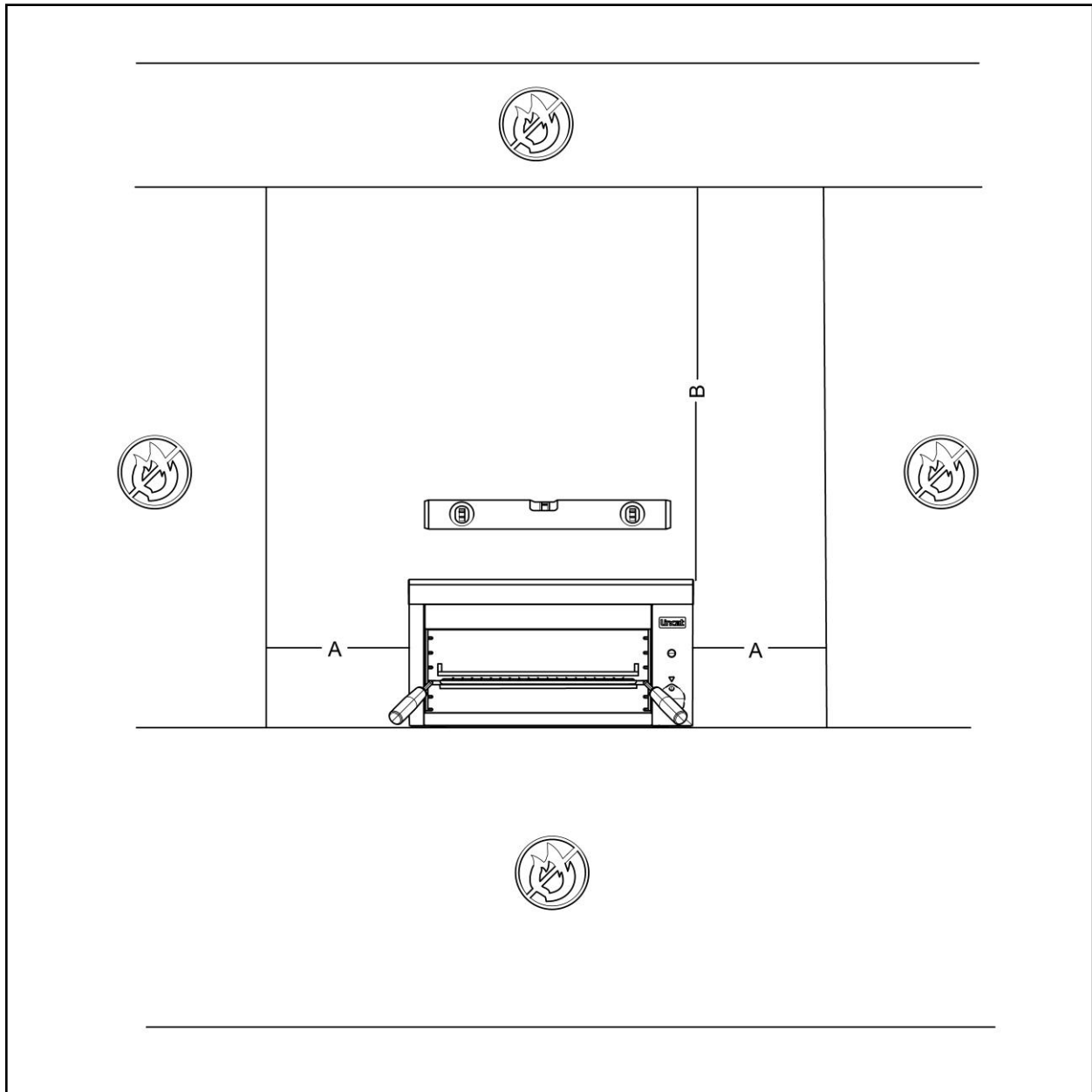


Fig 1

Dirty extraction filters and drip trays may become a fire hazard due to a build-up of grease/fat and also drip down onto equipment below. Regular cleaning of extraction filters and drip trays **MUST** be carried out and it's the installer's responsibility to make the operator aware of this.

Instructions for fixing the GR3 to the various shelves and stands are provided with that accessory. Always secure the appliance to the support.

Power Ratings

Model	kW	Amps
GR3	2.8	12.0

OPERATING INSTRUCTIONS

Only qualified or trained personnel should use this appliance.

Connect the appliance to a socket and switch on the power supply.

The green neon indicates power to the grill.

Adjust the control knob to the required temperature level.

CLEANING



Do not use a water jet or steam cleaner, and do not immerse this appliance.

Clean all panels with warm water and mild detergent, do not use abrasive materials. Dry with a soft cloth.

SERVICING, MAINTENANCE AND COMPONENT REPLACEMENT

All servicing, maintenance and component replacement on this appliance should be carried out by one of our recommended service engineers.

FAULT FINDING

Please refer to the Service Help Desk number on the final page of this manual.

SPARE PARTS LIST

Part Number	Description
EL50	Element

KN263	Control knob
NE43	Green neon
PL202	Mains cable
TR15	Toast rack

ACCESSORIES

Part Number	Description
HT6/SB	Shelf and splash back
BR15	Wall brackets
ABP03	Branding plate and drip tray
GR3/BS	Bench stand
GR3/FS	Floor stand
GR3/WS	Wall shelf

SERVICE INFORMATION

For help with the installation, maintenance and use of your **Lincat** equipment, please contact our service department:

☎ UK: 01522 875520

For non-UK customers, please contact your local Lincat dealer

All service work, other than routine cleaning should be carried out by one of our authorised service agents. We cannot accept responsibility for work carried out by other persons.

To ensure your service enquiry is handled as efficiently as possible, please tell us:

- Brief details of the problem
 - Product code
 - Type number
 - Serial number
- } All available on serial plate

Lincat reserve the right to carry out any work under warranty, given reasonable access to the appliance, during normal working hours, Monday to Friday, 08:30 to 17:00.

GUARANTEE

This unit carries a comprehensive UK mainland 2 year warranty. The guarantee is in addition to, and does not diminish your statutory or legal rights.

The guarantee does not cover:

- Accidental damage, misuse or use not in accordance with the manufacturer's instructions
- Consumable items (such as filters, glass, bulbs, slot toaster elements and door seals.)
- Damage due to incorrect installation, modification, unauthorised service work or damage due to scale, food debris build-up, etc.

The manufacturer disclaims any liability for incidental, or consequential damages. Attendance is based on reasonable access to the appliance to allow the authorised technician to carry out the warranty work.

Service calls to equipment under warranty will be carried out in accordance with the conditions of sale. Unless otherwise specified, a maximum of 15 minutes of administrative time, not spent directly carrying out servicing work, is provided for

within the warranty. Any requirement for staff attending the call to spend greater time than 15 minutes due to administrative requirements, such as on health and safety risk assessments, will be chargeable at the prevailing rate.