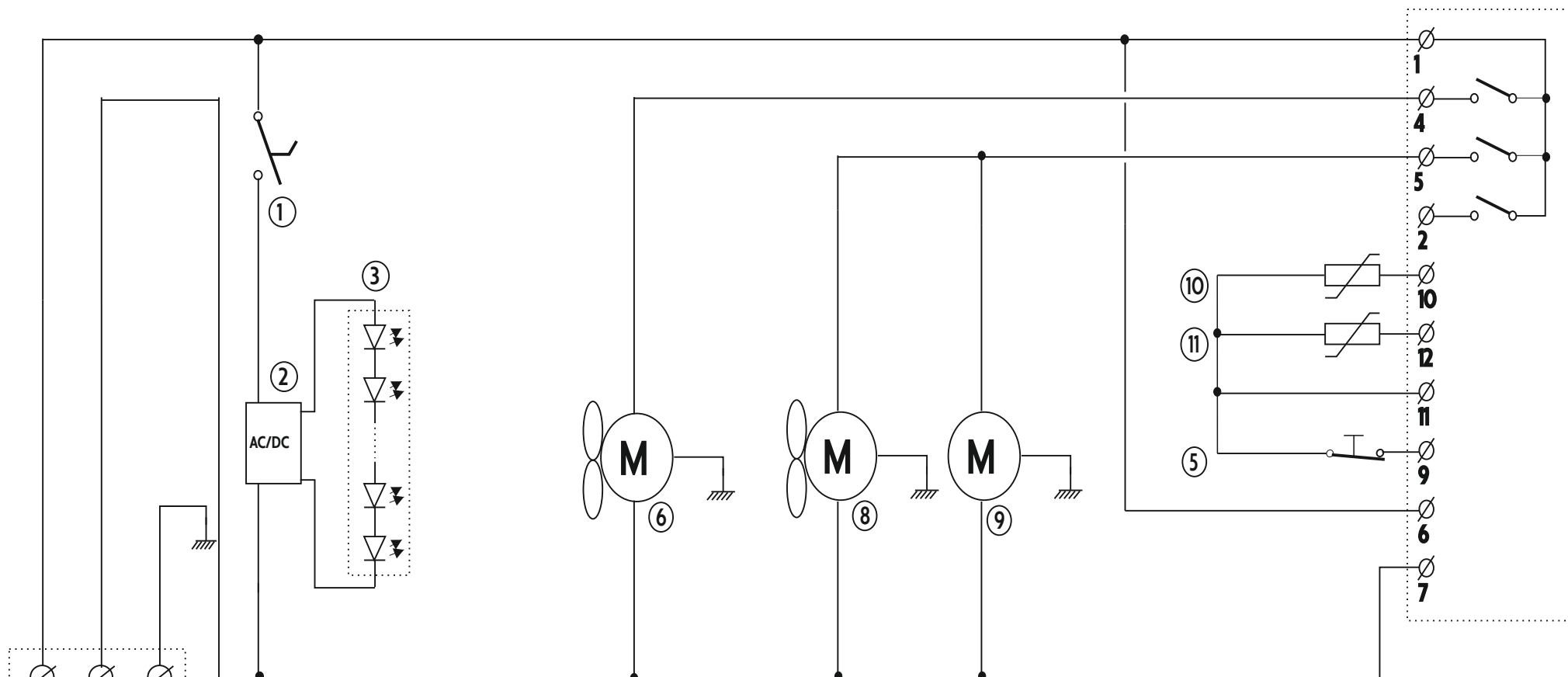


# XR06CX



- ① Light switch
- ② LED power supply
- ③ Door LED
- ⑤ Door switch

- ⑥ Evaporator fan
- ⑧ Condenser fan
- ⑨ Compressor
- ⑩ Evaporator probe
- ⑪ Cabinet probe