



VACUUM SEALER SE-204

Tabletop model. 4 m³/h. 280 mm.



FEATURES AND BENEFITS

- ✓ Powered by Busch.
- ✓ Vacuum controlled by sensor.
- ✓ Vacuum PLUS.
- ✓ Digital keyboard.
- ✓ Control panel equipped with display indicating the exact vacuum percentage.
- ✓ "Pause" button to marinate food.
- ✓ Safe liquid packing thanks to sensor control.
- ✓ Double seal.
- ✓ Cordless sealing bar.
- ✓ Bag-sealing programme.
- ✓ Pulse-controlled decompression.
- ✓ Vac-Norm ready with Automatic decompression.
- ✓ Stainless steel body and chamber. Deep-drawn chamber.
- ✓ Damped transparent lid of highly durable polycarbonate.
- ✓ Dry-oil programme for drying the pump.
- ✓ Working hours counter for oil changes.
- ✓ Safety system with protection against vacuum failure.
- ✓ NSF-listed model.

SALES DESCRIPTION

280 mm. sealing bar.

4 m³/h Busch vacuum pump.

Vacuum controlled by sensor.

INCLUDES

- ✓ Sensor Controls
- ✓ Up to 10 seconds of extra vacuum pull
- ✓ Soft air function
- ✓ Dry oil cycle
- ✓ BUSCH pump
- ✓ NSF Approved
- ✓ Clear methacrylate lid
- ✓ Filling plate



www.sammic.co.uk

Food Service Equipment Manufacturer

Unit 2, Trevanth Road
Troon Industrial Park
LE4 9LS - Leicester

uksales@sammic.com
Tel.: +44 0116 246 1900



Project	Date
Item	Qty
Approved	



VACUUM SEALER SE-204

Tabletop model. 4 m³/h. 280 mm.



SPECIFICATIONS

Pump capacity: 4 m³/h

Bar length: 280 mm

Total loading: 100 W

Vacuum pressure (maximum): 2 mbar

Internal dimensions

✓ Width: 288 mm

✓ Depth: 333 mm

✓ Height: 110 mm

External dimensions (WxDxH)

✓ Width: 337 mm

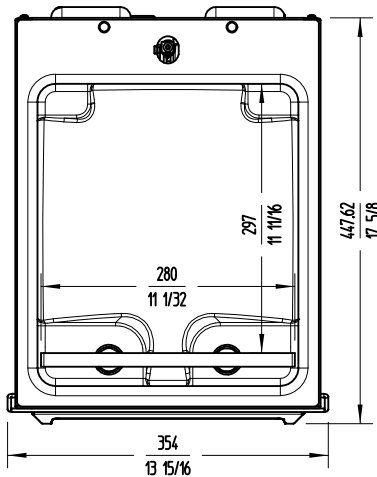
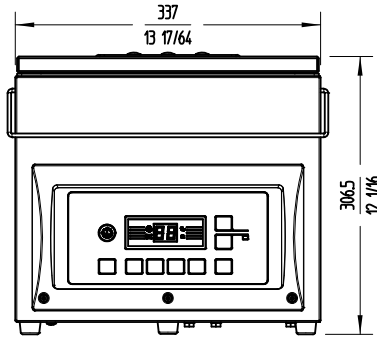
✓ Depth: 431 mm

✓ Height: 307 mm

Net weight: 23 Kg

Noise level (1m.): -- dB(A)

Background noise: 32 dB(A)



AVAILABLE MODELS

1140620 Vacuum packing machine SE-204 230/50-60/1

* Ask for special versions availability

ACCESSORIES

- Filling plates
- Vac-norm external vacuum kits
- Vac-norm containers
- Smooth bags for vacuum packing

FOOD PRESERVATION AND SOUS-VIDE
VACUUM PACKING MACHINES - "SENSOR" LINE



www.sammic.co.uk

Food Service Equipment Manufacturer

Unit 2, Trevanah Road
Troon Industrial Park
LE4 9LS - Leicester

uksales@sammic.com
Tel.: +44 0116 246 1900



Project

Date

Item

Qty

Approved

product sheet
updated 06/03/2018