

User manual Washer Extractor

WE1100P



Electrolux
PROFESSIONAL

Contents

Contents

1	Safety Precautions	5
1.1	General safety information.....	6
1.2	Commercial use only.....	6
1.3	Ergonomics certification	6
1.4	Symbols.....	6
2	Warranty terms and exclusions.....	7
3	Product Description	8
3.1	Appliance overview	8
3.2	Accessories.....	9
3.3	Installation on suspended flooring	9
3.4	Available from your authorized vendor.....	9
4	Before First Use	10
5	Control Panel	11
5.1	Control panel description	11
5.2	Display.....	11
6	Programmes	12
7	Daily Use	13
7.1	Loading the laundry	13
7.2	Detergent compartments	14
8	Hints And Tips.....	15
8.1	The laundry load	15
8.2	Stubborn stains.....	15
8.3	Detergents and additives	15
8.4	Ecological hints.....	15
8.5	Water hardness	15
9	Care And Cleaning	16
9.1	External cleaning	16
9.2	Descaling	16
9.3	Maintenance wash.....	16
9.4	Door seal	16
9.5	Cleaning the drum.....	17
9.6	Cleaning the detergent dispenser.....	17
9.7	Cleaning the drain filter.....	18
9.8	Cleaning the inlet hoses and the valve filters	19
9.9	Frost precautions	19
10	Trouble Shooting	20
10.1	Introduction	20
10.2	Possible failures	20
11	Emergency Door Opening.....	21
12	Technical Data	22
13	Environment Concerns	23
14	Error codes	24
15	Disposal information	25
15.1	Disposal of appliance at end of life	25
15.2	Disposal of packing.....	25

The manufacturer reserves the right to make changes to design and component specifications.

1 Safety Precautions

- Servicing shall be carried out only by authorized personnel.
- Only authorized spare parts, accessories and consumables shall be used.
- Only use detergent intended for water-wash of textiles. Never use dry cleaning agents.
- The machine shall be connected with new water hoses. Re-used water hoses must not be used.
- The machine's door lock must under no circumstances be bypassed.
- If the machine develops a fault, this must be reported to the person in charge as soon as possible. This is important both for your safety and that of others.
- DO NOT MODIFY THIS APPLIANCE.
- When performing service or replacing parts, the power must be disconnected.
- When the power is disconnected, the operator must see that the machine is disconnected (that the plug is removed and remains removed) from any point to which he has access. If this is not possible, due to the construction or installation of the machine, a disconnection with a locking system in the isolated position shall be provided.
- In accordance with the wiring rules: mount a multi-pole switch prior to the machine to facilitate installation and service operations.
- If different rated voltages or different rated frequencies (separated by a /) are stated at the machine data plate, instructions for adjusting the appliance for operation at the required rated voltage or rated frequency are stated in the installation manual.
- The openings in the base, shall not be obstructed by a carpet.
- Maximum load volume: 12 kg.
- A-weighted emission sound pressure level at working stations:
 - Wash: <62 dB(A).
 - Extraction: <72 dB(A).
- Maximum inlet water pressure: 600 kPa / 90 psi
- Minimum inlet water pressure: 200 kPa / 30 psi
- Additional requirements for the following countries; AT, BE, BG, HR, CY, CZ, DK, EE, FI, FR, DE, GR, HU, IS, IE, IT, LV, LT, LU, MT, NL, NO, PL, PT, RO, SK, SI, ES, SE, CH, TR, UK:
 - The appliance can be used in public areas.
 - This appliance can be used by children aged from 8 years and above and persons with reduced physical, sensory or mental capabilities or lack of experience and knowledge if they have been given supervision or instruction concerning use of the appliance in a safe way and understand the hazards involved. Children shall not play with the appliance. Cleaning and user maintenance shall not be made by children without supervision.
- Additional requirements for other countries:
 - This appliance is not intended for use by persons (including children) with reduced physical, sensory or mental capabilities, or lack of experience and knowledge, unless they have been given supervision or instruction concerning use of the appliance by a person responsible for their safety. Children should be supervised to ensure that they do not play with the appliance.
 - This appliance is intended to be used in household and similar applications such as: (IEC 60335-2-7) staff kitchen areas in shops, offices and other working environments,

farm houses, by clients in hotels, motels and other residential type environments, bed and breakfast type environments, areas for communal use in blocks of flats or in launderettes.

1.1 General safety information

The machine is only intended for water-wash use.

Do not hose down the machine with water.

In order to prevent damage to the electronics (and other parts) that may occur as the result of condensation, the machine should be placed in room temperature for 24 hours before being used for the first time.

1.2 Commercial use only

The machine/machines covered by this manual is/are made for commercial and industrial use only.

1.3 Ergonomics certification

The human body is designed for movement and activity but physical stress injuries as a result of static and repetitive movements or unfavorable working postures may occur.

The ergonomic features of your product, the ones which may influence your physical and cognitive interaction with it, have been assessed and certified.

A product which exhibits ergonomic features, in fact, shall fulfil specific ergonomic requirements, belonging to three different areas: Polytechnic, Biomedical and Psychosocial (usability and satisfaction).

For each of these areas, specific tests with real users have been performed. The product was therefore compliant with the ergonomic acceptability criteria requested by the standards.




In case several machines are managed by the same operator the repetitive movements will increase and as a consequence of this the related biomechanical risk will increase exponentially.

The possible postural risks are the interaction with the door handle in case the machine is not placed on a base.

Follow the below recommendations to avoid, as much as possible, operators acquiring bodily injury.

- Place the machine on a base instead of directly on the floor so that the operator does not need to bend his/her back unnecessarily when loading and unloading.
Minimum suggested height of bases is 300 mm.
- Make sure there are suitable trolleys or baskets for loading, unloading and transportation.
- Organize job rotation in the working place in the case several machines are managed by the same operator.

1.4 Symbols

	Caution
	Caution, high voltage
	Read the instructions before using the machine

2 Warranty terms and exclusions

If the purchase of this product includes warranty coverage, warranty is provided in line with local regulations and subject to the product being installed and used for the purposes as designed, and as described within the appropriate equipment documentation.

Warranty will be applicable where the customer has used only genuine spare parts and has performed maintenance in accordance with Electrolux Professional user and maintenance documentation made available in paper or electronic format.

Electrolux Professional strongly recommends using Electrolux Professional approved cleaning, rinse and descaling agents to obtain optimal results and maintain product efficiency over time.

The Electrolux Professional warranty does not cover:

- service trips cost to deliver and pick up the product;
- installation;
- training on how to use/operate;
- replacement (and/or supply) of wear and tear parts unless resulting from defects in materials or workmanship reported within one (1) week from the failure;
- correction of external wiring;
- correction of unauthorized repairs as well as any damages, failures and inefficiencies caused by and/or resulting from:
 - insufficient and/or abnormal capacity of the electrical systems (current/voltage/frequency, including spikes and/or outages);
 - inadequate or interrupted water supply, steam, air, gas (including impurities and/or other that does not comply with the technical requirements for each appliance);
 - plumbing parts, components or consumable cleaning products that are not approved by the manufacturer;
 - customer's negligence, misuse, abuse and/or non-compliance with the use and care instructions detailed within the appropriate equipment documentation;
 - improper or poor: installation, repair, maintenance (including tampering, modifications and repairs carried out by third parties not authorized third parties) and modification of safety systems;
 - Use of non-original components (e.g.: consumables, wear and tear, or spare parts);
 - environment conditions provoking thermal (e.g. overheating/freezing) or chemical (e.g. corrosion/oxidation) stress;
 - foreign objects placed in- or connected to- the product;
 - accidents or force majeure;
 - transportation and handling, including scratches, dents, chips, and/or other damage to the finish of the product, unless such damage results from defects in materials or workmanship and is reported within one (1) week of delivery unless otherwise agreed;
- product with original serial numbers that have been removed, altered or cannot be readily determined;
- replacement of light bulbs, filters or any consumable parts;
- any accessories and software not approved or specified by Electrolux Professional.

Warranty does not include scheduled maintenance activities (including the parts required for it) or the supply of cleaning agents unless specifically covered within any local agreement, subject to local terms and conditions.

Check on Electrolux Professional website the list of authorized customer care.

3 Product Description

3.1 Appliance overview

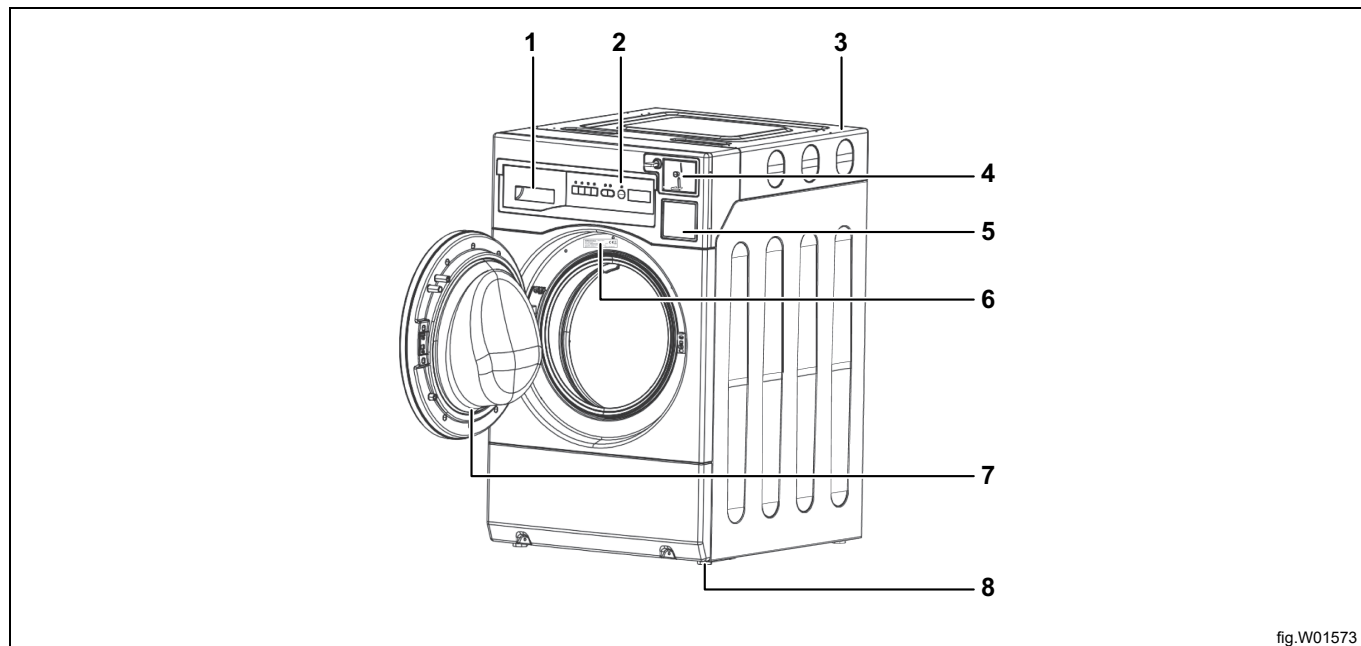


fig.W01573

1	Detergent dispenser
2	Control panel
3	Worktop
4	Coin meter
5	Coin box
6	Rating plate
7	Door body
8	Feet for the appliance level

3.2 Accessories

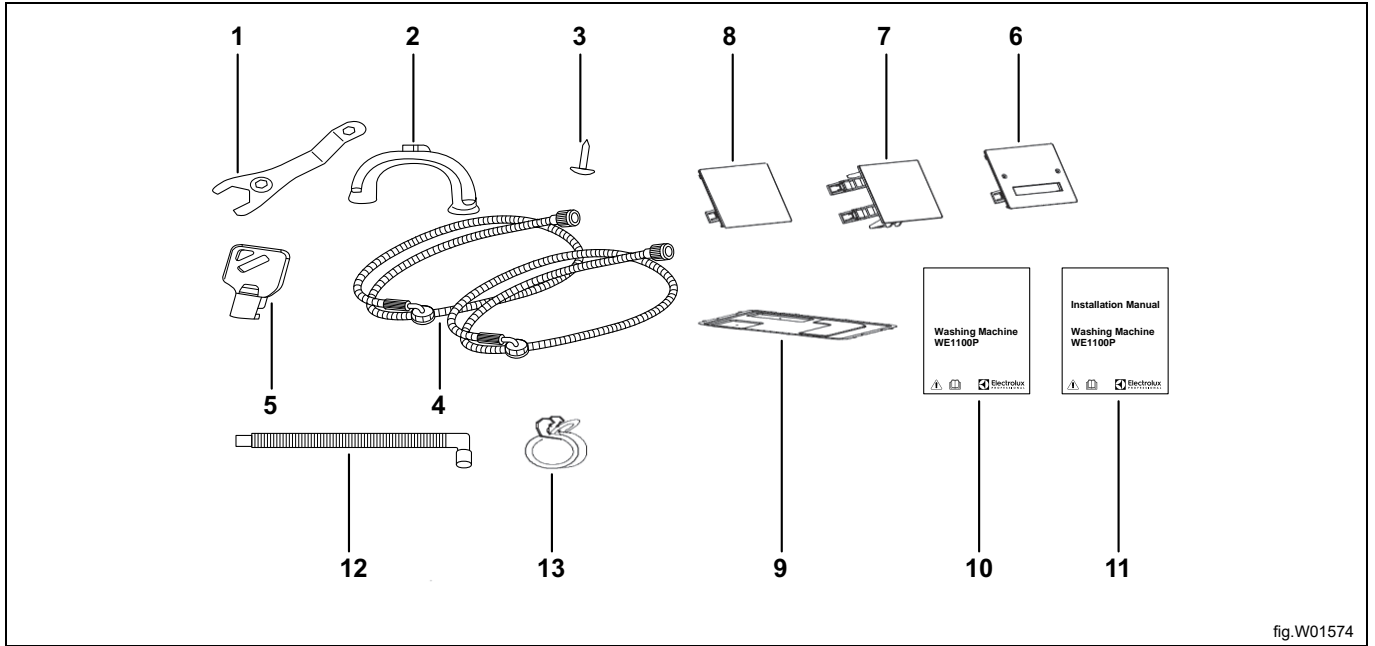


fig.W01574

1	Spanner: To remove the transit bolts and adjust the feet
2	Plastic hose guide: To connect the drain hose on the edge of a sink
3	Screw: To fasten the bottom plate
4	Inlet hoses: To connect the appliance to the cold and hot water tap
5	Key: To open the lock of coin meter plate
6	Card Reader bracket: To fix card reader
7	Coin box housing cover: To cover the hole of coin box housing for OPL
8	Cover for OPL: To cover the hole of coin meter plate for OPL
9	Bottom plate: For fire safety
10	User Manual: To guide users
11	Installation Manual: To guide users
12	Drain hose
13	Clamp: To fasten the drain hose

3.3 Installation on suspended flooring

If possible install the appliance in one of the corners of the room, where the floor is more stable.

3.4 Available from your authorized vendor

Only appropriate accessories approved by Electrolux ensure the safety standards of the appliance. If unapproved parts are used, any claims will be invalidated.

4 Before First Use

1. Make sure that all transit bolts are removed.
2. Make sure that the electrical and water connection are available.
3. Put 2L water in the detergent compartment for washing phase. This activates the drain system.
4. Put a small quantity of detergent in the compartment for washing phase.
5. Set and start a disinfection program without laundry. This removes all possible dirt from the drum and the tub.

5 Control Panel

5.1 Control panel description

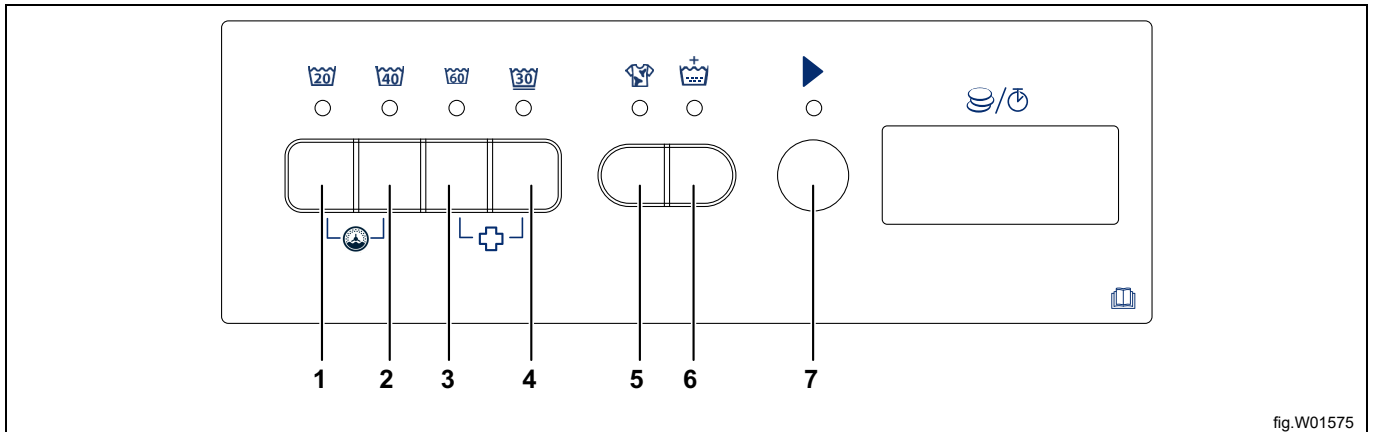


fig.W01575

- 1 Cold Button
- 2 Warm Button
- 3 Hot Button
- 4 Delicate Button
- 5 Heavy Button
- 6 Extra Rinse Button
- 7 Start Button

5.2 Display

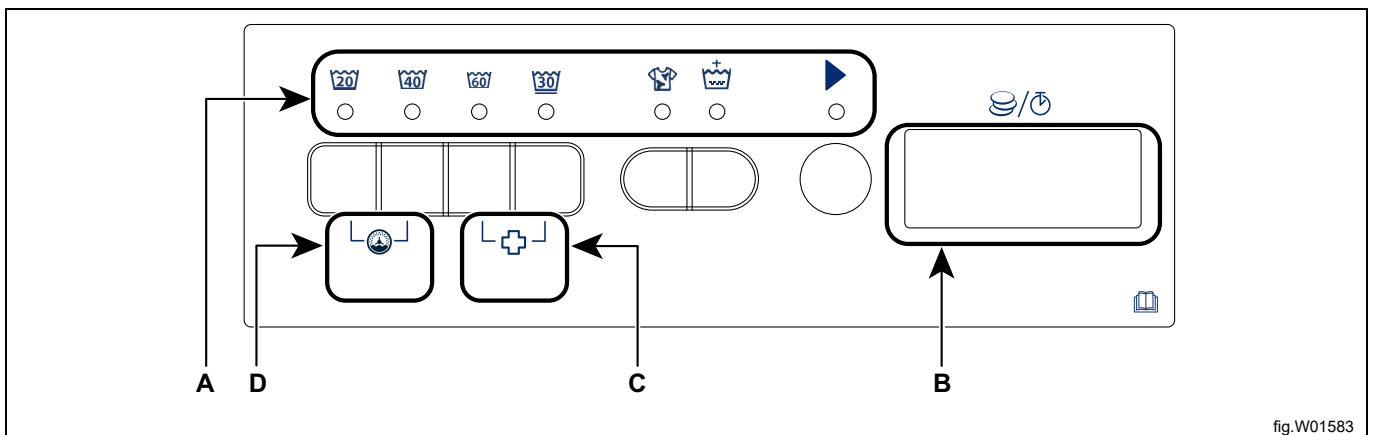


fig.W01583

The display shows:

- When you select a program, the indicator light will be on.
- For example, select the cold program and the cold water indicator lights up.
- The display shows the price, Error information, and remaining time.

- A. Indicator area
- B. Display window
- C. Disinfection icon
- D. Bucket self-cleaning icon

6 Programmes



Warning



1. Cold (20): It is cold water washing, no heating. Default program time is 35 minutes. Max. extracting speed is 1050rpm.
2. Warm (40): The washing temperature is about 40°, Default program time is about 35 minutes, not including heating time. When heating, display "HEAT". Max. extracting speed is 1050rpm.
3. Hot (60): The washing temperature is about 60°. Default program time is about 35 minutes, not including heating time. When heating, display "HEAT". Max. extracting speed is 1050rpm.
4. Delicate (30): The washing temperature is 30°. Default program time is about 35 minutes, not including heating time. When heating, display "HEAT". The maximum spin speed is 700rpm.
5. Heavy (👤): Add washing time by 5 minutes.
6. Extra Rinse (👑): Add one rinse progress.



Heavy or Extra Rinse is available for cold, warm or hot water program and not available for delicate program.



7. Disinfection (👤): Press the Hot+ Delicate buttons together for 4 seconds to be selected. This program can disinfect by high temperature.
8. Drum self clean (🌀): After the whole machine is powered on, hold the COLD and WARM button for 4 seconds at the same time, and only the COLD and WARM indicator light will flash. Press the Start button to Start. This procedure can clean the inner drum.



The prewash program is disabled by default. You need to enable it in service mode.



The opening steps are as follows:

1. Press the service switch inside the money box once, all the lights are flashing.
2. Press The Start button once, Heavy and Extra Rinse flash and the screen shows "SE".
3. Press Heavy and Extra Rinse once, the screen displays 00, and then press Heavy and Extra Rinse as "-" and "+" respectively.
4. Press Extra Rinse until the screen displays 80, and press Start, the screen displays "P2oF" (does not open pre-wash function). Press Heavy or Extra Rinse once, "P2oF" change to "P2on", and then pre-wash function of COLD program is opened.
5. Press the Start button to exit the prewash function setting switch, and press the service switch once to exit the service mode.

The corresponding service code of the prewashing function is as follows:

- 1.80 Configure the COLD prewash function, by default, "P2oF" (does not open pre-wash function), can set "P2oN" (open pre-wash function)
- 2.81 Configure the WARM prewash function, by default, "P2oF" (does not open pre-wash function), can set "P2oN" (open pre-wash function)
- 3.82 Configure the HOT prewash function, by default, "P2oF" (does not open pre-wash function), can set "P2oN" (open pre-wash function)
- 4.83 Configure the DELICATE prewash function, by default, "P2oF" (does not open pre-wash function), can set "P2oN" (open pre-wash function)

7 Daily Use

7.1 Loading the laundry

1. Pull the handle to open the appliance door.
2. Load garments into the machine and close the door. Do not overload washer.
3. Add detergent, bleach and fabric softener as recommended by their manufacturers.
4. When you use the liquid detergent:
 - Do not use gelatinous or thick liquid detergents.
 - Do not put more liquid than the maximum level.



Caution



Make sure that no laundry stays between the seal and the door.
There is a risk of water leakage or damage to the laundry.

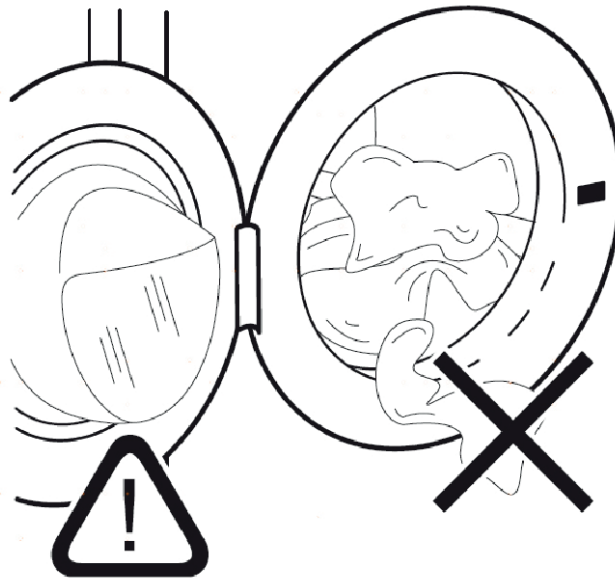


fig.W01586

7.2 Detergent compartments

Note!

Use only specified detergents for washing machine.

Always obey the instructions that you find on the packaging of the detergent products.

Compartment 1 - powder or liquid detergent

Compartment 2 - softener

Compartment 3 - bleach

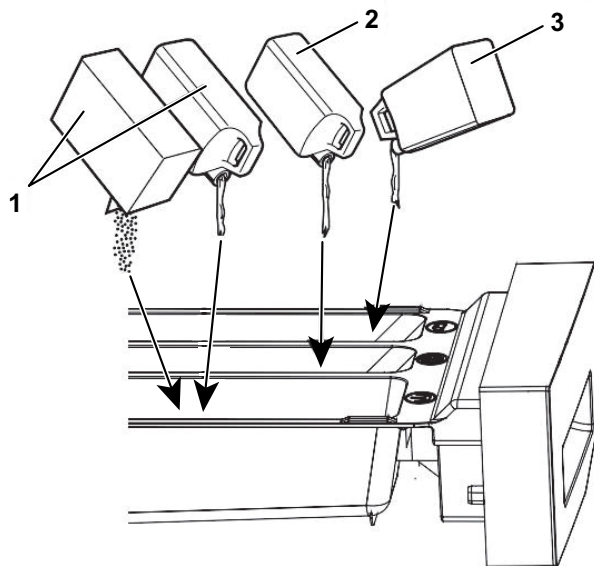


fig.W01587

8 Hints And Tips

8.1 The laundry load

- Divide the laundry in: white, coloured, synthetics, delicate and wool.
- Obey the washing instructions that are on the laundry care labels.
- Do not wash together white and coloured items.
- Some coloured items can discolour with the first wash. We recommend that you wash them separately for the first time.
- Button up pillowcases, close zippers, hooks and poppers. Tie up belts.
- Empty the pockets and unfold the items.
- Turn inside out multi-layered fabrics, wool and items with painted illustrations.
- Remove hard stains.
- Wash with a special detergent heavy soil stains.
- Be careful with the curtains. Remove the hooks or put the curtains in a washing bag or pillowcase.
- Do not wash in the appliance laundry without hems or with cuts. Use a washing bag to wash small and/or delicate items (e.g. underwired bras, belts, tights, etc.).
- A very small load can cause balance problems with the spin phase.

8.2 Stubborn stains

For some stains, water and detergent is not sufficient.

We recommend that you remove these stains before you put the items in the appliance.

Special stain removers are available. Use the special stain remover that is applicable to the type of stain and fabric.

8.3 Detergents and additives

- Only use detergents and additives specially made for washing machines:
 - Powder detergents for all types of fabric.
 - Powder detergents for delicate fabrics (40 °C max) and woollens.
 - Liquid detergents, preferably for low temperature wash programs (60 °C max) for all types of fabric, or special for woollens only.
- Do not mix different types of detergents.
- To help the environment, do not use more than the correct quantity of detergent.
- Obey the instructions that you find on the on packaging of these products.
- Use the correct products for the type and colour of the fabric, the program temperature and the level of soil.
- If your appliance has not the detergent dispenser with the flap device, add the liquid detergents with a dosing ball (supplied by the detergent's manufacturer).

8.4 Ecological hints

- Set a program to wash laundry with normal soil.
- Always start a washing program with the maximum load of laundry.
- If necessary, use a stain remover when you set a program with a low temperature.
- To use the correct quantity of the detergent, check the water hardness of your domestic system.

8.5 Water hardness

If the water hardness in your area is high or moderate, we recommend that you use a water softener for washing machines. In areas where the water hardness is soft it is not necessary to use a water softener.

To know the water hardness in your area, contact your local water authority.

Use the correct quantity of the water softener. Obey the instructions that you find on the packaging of the product.

9 Care And Cleaning

9.1 External cleaning

Clean the appliance only with soap and warm water. Fully dry all the surfaces.



Do not use alcohol, solvents or chemical products.



9.2 Descaling

If the water hardness in your area is high or moderate, we recommend that you use a water descaling product for washing machines.

Regularly examine the drum to prevent lime scale and rust particles.

To remove rust particles use only special products for washing machine. Do this separately from the laundry wash.

9.3 Maintenance wash

With the low temperature program it is possible that some detergent stays in the drum. Make regularly a maintenance wash. To do this:

- Remove the laundry from the drum.
- Set the disinfection program with the highest temperature with a small quantity of detergent. Regularly examine the seal and remove all objects from the inner part.

9.4 Door seal

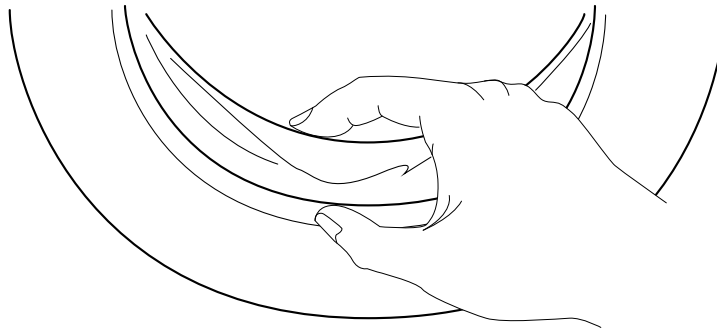


fig.W01588

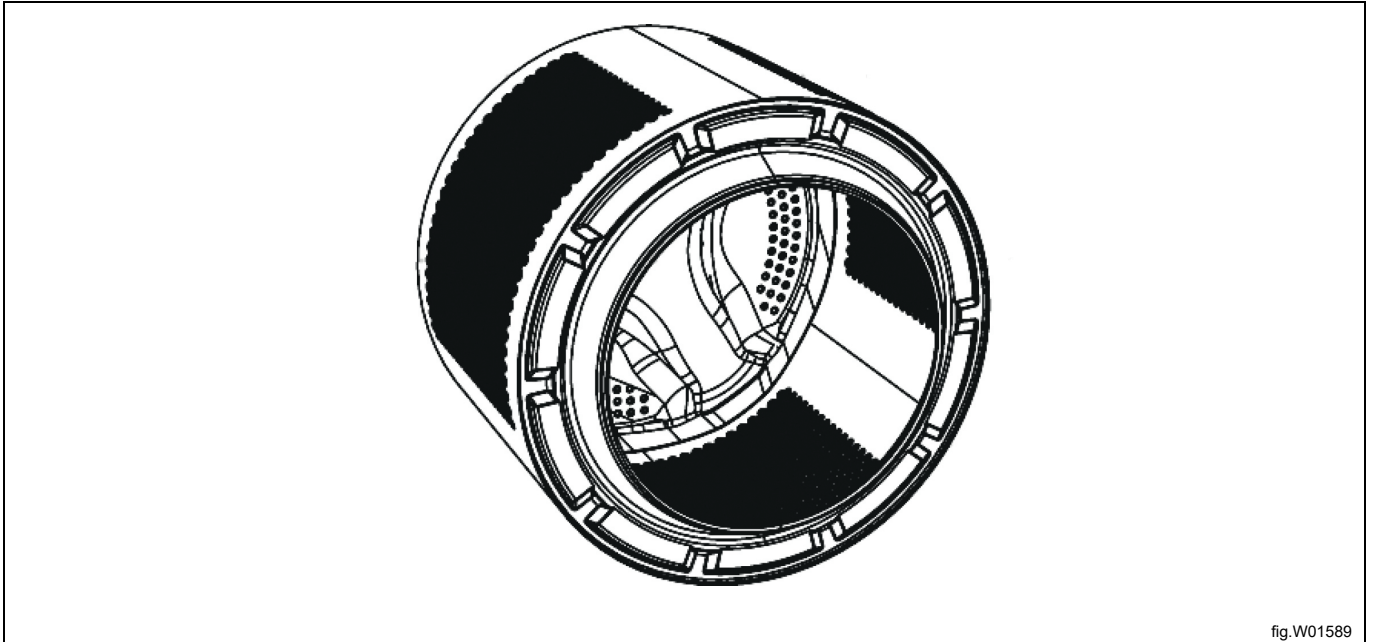
Regularly examine the seal and remove all objects from the inner part.

9.5 Cleaning the drum

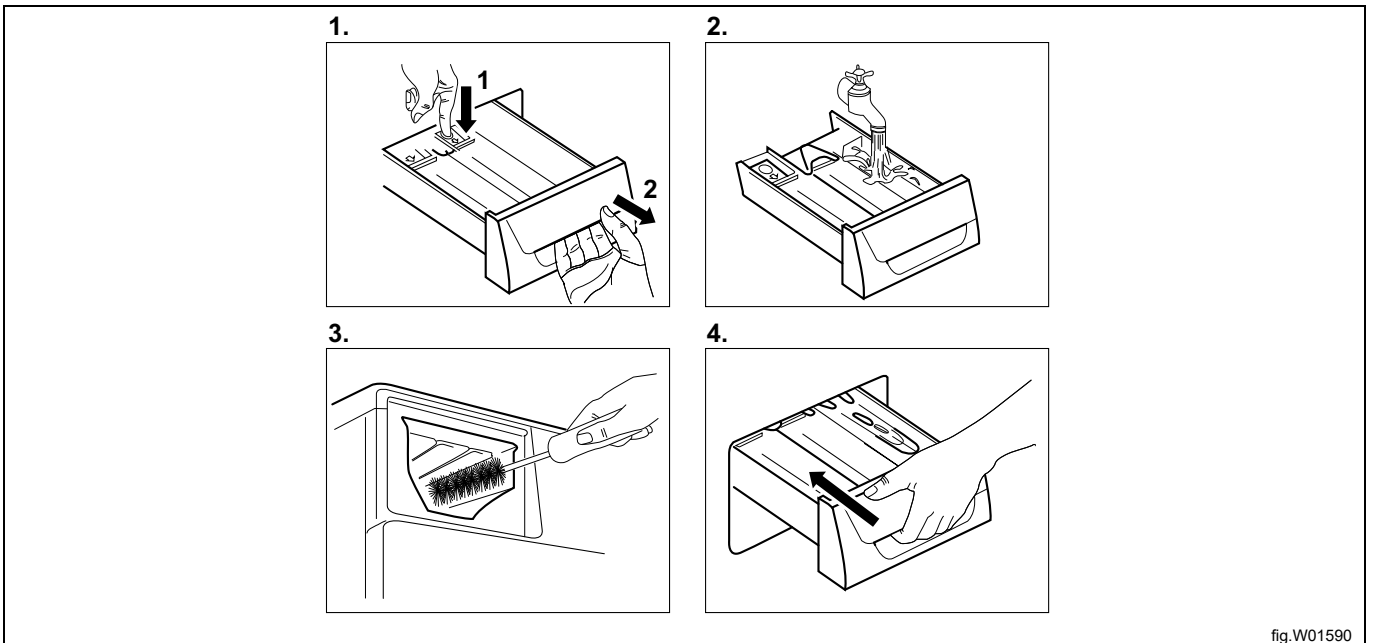
Regularly examine the drum to prevent lime scale and rust particles. Only use special products to remove rust particles from the drum.

We suggest you to:

1. Clean the drum with special product for stainless steel.
2. Start a disinfection program at the maximum temperature with a small quantity of detergent.



9.6 Cleaning the detergent dispenser



9.7 Cleaning the drain filter



Warning



Do not clean the drain filter if the water in the appliance is hot.

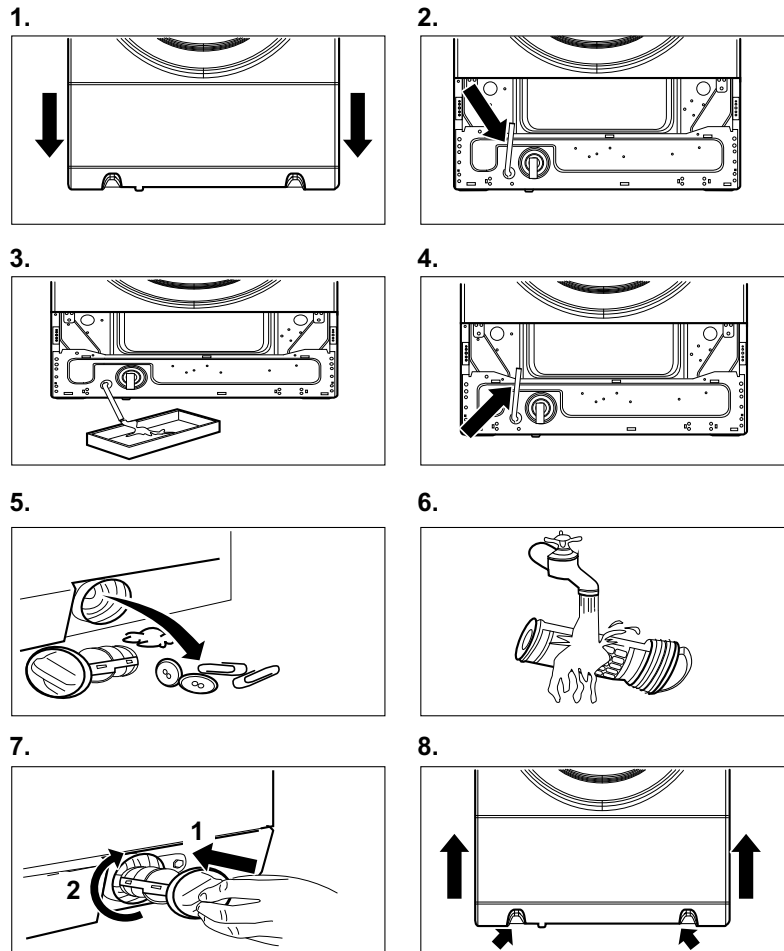
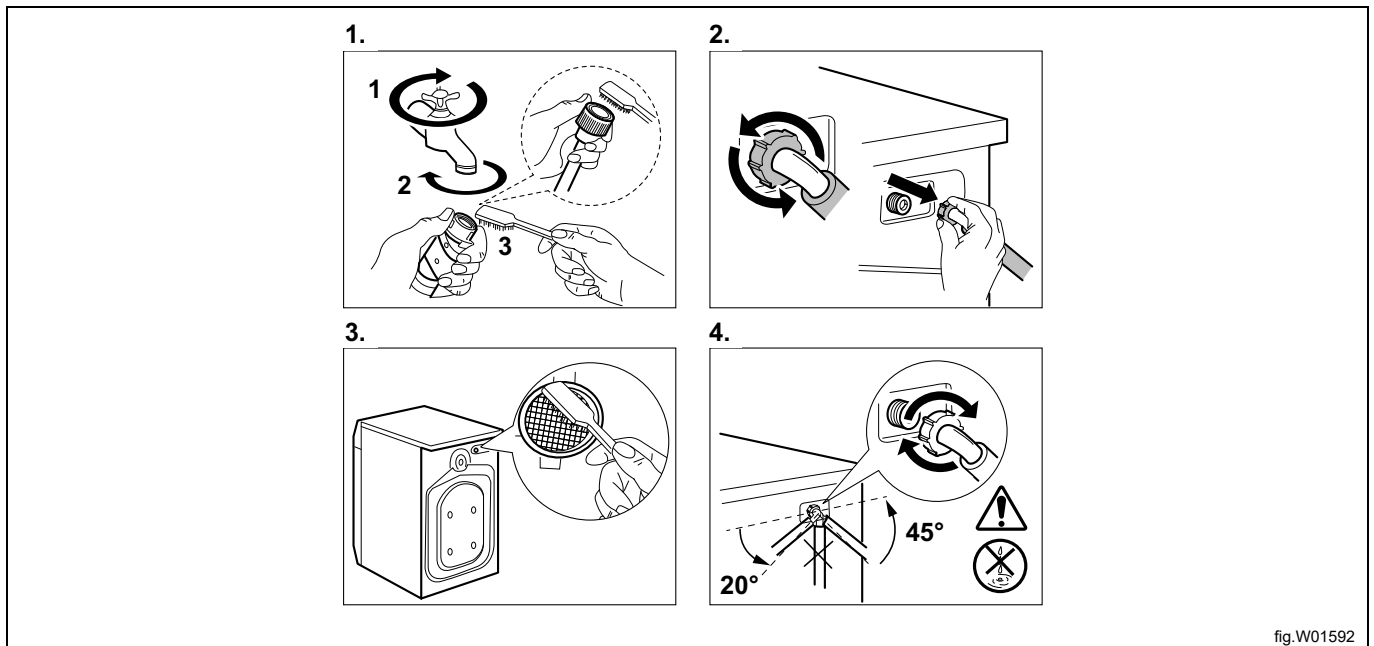


fig.W01591

9.8 Cleaning the inlet hoses and the valve filters

Clean regularly both (for hot and for cold water) inlet hoses and both valve filters.



Emergency drain

Because of a malfunction, the appliance cannot drain the water.

If this occurs, do steps (1) through (8) of *Cleaning the drain filter*. If necessary, clean the pump.

9.9 Frost precautions

If the appliance is installed in an area where the temperature can be less than 0 °C, remove the remaining water from the inlet hose and the drain pump.

1. Disconnect the mains plug from the mains socket.
2. Close the water tap.
3. Put the two ends of the inlet hose in a container and let the water flow out of the hose.
4. Empty the drain pump. Refer to the emergency drain procedure.
5. When the drain pump is empty, install the inlet hose again.



Warning



Make sure that the temperature is more than 0 °C before you use the appliance again.
The manufacturer is not responsible for damages caused by low temperatures.

10 Trouble Shooting

10.1 Introduction

The start of the appliance does not occur or it stops during operation.

First try to find a solution to the problem (refer to the table). If not, contact the Authorized Service Centre.

With some problems, the acoustic signals operate and the display shows an alarm code:

10.2 Possible failures

Problem	Possible solution
The programme does not start.	Make sure that the mains plug is connected to the mains socket. Make sure that the appliance door is closed. Make sure that the Start has been pressed.
The appliance does not fill with water properly.	Make sure that the water tap is open. Make sure that the pressure of the water supply is not too low. For this information, contact your local water authority. Make sure that the water tap is not clogged. Make sure that the filters of the inlet hoses are not clogged. Make sure that the inlet hoses have no kinks or bends. Make sure that the connections of the water inlet hoses are correct.
The appliance does not fill with water and drain immediately.	Make sure that the drain hose is in the correct position. The hose may be too low.
The appliance does not drain the water.	Make sure that the sink spigot is not clogged. Make sure that the drain hose has no kinks or bends. Make sure that the drain filter is not clogged. Clean the filter, if necessary. Make sure that the connection of the drain hose is correct. Set the drain programme.
The spin phase does not operate or the washing cycle lasts longer than usually.	Make sure that the drain filter is not clogged. Clean the filter, if necessary. This problem may be caused by balance problems.
There is water on the floor.	Make sure that the couplings of the water hoses are tight and there is not water leakages. Make sure that the drain hose have no damages. Make sure you use the correct detergent and the correct quantity of it.
You cannot open the appliance door.	Make sure that the washing programme is finished.
You cannot open the appliance door. The appliance makes an unusual noise.	Make sure that the appliance receives electrical power. This problem may be caused by a failure of the appliance. Make sure the levelling of the appliance is correct.
The appliance makes an unusual noise. The cycle is longer than the time displayed.	Make sure that the packaging and/or the transit bolts are removed. Add more laundry in the drum. The load may be too small. An unbalanced laundry load increases the duration time. This is a normal behaviour of the appliance.
The washing results are not satisfactory.	Increase the detergent quantity or use a different detergent
The washing results are not satisfactory. You cannot set an option.	Use special products to remove the stubborn stains before you do the laundry. Make sure that you set the correct temperature. Decrease the laundry load. Make sure that you press only the wanted touch button(s).

11 Emergency Door Opening

In case of power failure or appliance failure the appliance door remains locked. The washing programme continues, when the power is restored. If the door remains locked in case of failure, it is possible to open it using the emergency unlock feature.

Before opening the door:



Caution



Make sure that the water temperature and the laundry are not hot. Wait till they cool down, if necessary.



Caution



Make sure that the drum is not rotating. Wait till the drum stops rotating, if necessary.



Caution



Make sure that the water level inside the drum is not too high. Proceed with an emergency drain, if necessary (refer to *Emergency drain* in *Care And Cleaning* chapter).

To open the door, proceed as follows:

1. Disconnect the mains plug from the mains socket.
2. Open the bottom plate.
3. Pull twice the emergency unlock trigger downward and open the appliance door.
4. Take out the laundry and then close the appliance door.
5. Close the bottom plate.

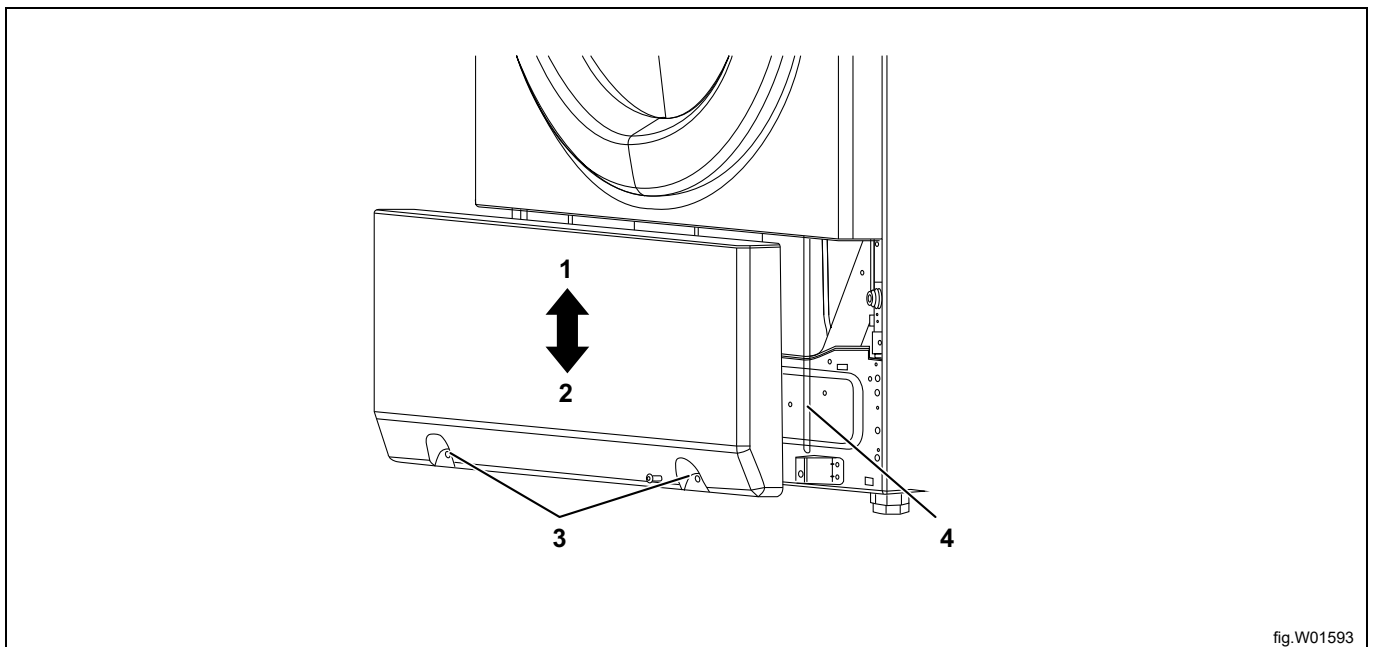


fig.W01593

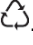

1	Installation
2	Move Downward
3	Mounting screws
4	Pull the door rope to unlock

12 Technical Data

Dimension	Width/ Height/ Depth/ Total depth	686 mm/ 1098 mm/ 765 mm 839 mm
Electrical connection	Voltage Overall power Maximum current Frequency	220-240 V 2200 W 10 A 50 Hz
Level of protection against ingress of solid particles and moisture ensured by the protective cover, except where the low voltage equipment has no protection against moisture		IPX4
Water supply pressure	Minimum Maximum	0,5 bar (0,05 MPa) 8 bar (0,8 MPa)
Water supply		Cold water Hot water
Maximum Load	Cotton	12 kg
Energy Efficiency Class		A+
Spin Speed	Maximum	1050 rpm

1. The appliance works correctly if the water pressure is not less than 0.05 MPa (0.5 bar). If you cannot connect the water inlet hose to the cold water tap of the primary hydraulic system, connect it to your domestic cold water storage system.
2. Connect the water inlet hose to a water tap with a 3/4" thread.
3. Make sure that the hot water temperature of your domestic system is not more than 55 °C.

13 Environment Concerns

Recycle the materials with the symbol . Put the packaging in applicable containers to recycle it. Help protect the environment and human health and to recycle waste of electrical and electronic appliances. Do not dispose appliances marked with the symbol  with the household waste.

Return the product to your local recycling facility or contact your municipal office.

14 Error codes

If power to the machine is accidentally cut, the machine will restart automatically when power is restored. The machine will resume the program it was running at the point the power was cut.

Faults/errors in the program or machine are indicated by a numerical error code on the panel display.

Some error codes are cleared automatically when the Start button is pressed to restart the machine and some when the door is opened.

For the other error codes, a service technician must be called.

Error code	Cause/Action
Err1	Door switch opened during a wash program.
Err2	Drain error. Water is not emptied within 15 minutes. Check drain pump strainer for clog.
Err3	Temperature sensor Error. Temperature sensor is damaged or the terminal is off.
Err4	Heating Error. Heating is damaged or the terminal is off.
Err5	Water level not reached within 8 minutes. Check water inlet screen for debris or clog.
Err6	Water level sensor error.
Err7	No motor rotation.
Err8	Water level signal above parameter set for safety, during program. Pump activates automatically.
Unb	Unbalance load error. Open door and manually rebalance clothes , and press start within two minutes.
EuAr	Communication error between display and power modules.
Door	The door is not closed. Re-close the door.

15 Disposal information

15.1 Disposal of appliance at end of life

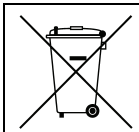
Before disposing of the machine, make sure to carefully check its physical condition, and in particular any parts of the structure that can give or break during scrapping.

The machine's parts must be disposed of in a differentiated way, according to their different characteristics (e.g. metals, oils, greases, plastic, rubber, etc.).

Different regulations are in force in the various countries, therefore comply with the provisions of the laws and competent bodies in the country where scrapping takes place.

In general, the appliance must be taken to a specialised collection/scrapping centre.

Dismantle the appliance, grouping the components according to their chemical characteristics, remembering that the compressor contains lubricant oil and refrigerant fluid which can be recycled, and that the refrigerator and heat pump components are special waste assimilable with urban waste.



The symbol on the product indicates that this product should not be treated as domestic waste, but must be correctly disposed of in order to prevent any negative consequences for the environment and human health. For further information on the recycling of this product, contact the local dealer or agent, the Customer Care service or the local body responsible for waste disposal.




Note!

When scrapping the machine, any marking, this manual and other documents concerning the appliance must be destroyed.

15.2 Disposal of packing

The packing must be disposed of in compliance with the current regulations in the country where the appliance is used. All the packing materials are environmentally friendly.

They can be safely kept, recycled or burned in an appropriate waste incineration plant. Recyclable plastic parts are marked as following examples.

	Polyethylene: <ul style="list-style-type: none"> • Outer wrapping • Instructions bag
	Polypropylene: <ul style="list-style-type: none"> • Straps
	Polystyrene foam: <ul style="list-style-type: none"> • Corner protectors



Electrolux Professional AB
341 80 Ljungby, Sweden
www.electroluxprofessional.com