



OD8006/P - Opus 800
Dual Fuel [Propane Gas]
Free-standing Oven
Range - 4 Burners - W
600 mm - 26.8 kW

This powerful Opus 800 dual fuel oven is built to deliver high volumes of top quality food and will withstand the rigours of even the busiest kitchen.

- ✓ Powerful 7.5kW dual concentric Burners for focused heat distribution from a fast boil to a low simmer
- ✓ Individual heavy-duty single cast iron supports, built to withstand the rigours of the busiest kitchen
- ✓ Low flue to allow use of the complete hob top
- ✓ Powerful 4kW fan assisted oven for even cooking results
- ✓ Large 3 x GN1/1 capacity oven enabling three different foods to be cooked simultaneously
- ✓ Dual Fuel Oven Ranges

Specifications

Summary

Range Name	Opus 800
Power Type	Dual Fuel
Gas Type	Propane Gas
Unit Type	Free-standing
Available in UK Only	No
UK Warranty	2 Years Parts and Labour Warranty
Export Warranty	Contact your local dealer
GTIN Code	5056105102311

Power and Performance

BTU per Hour	91,445
Gastronorm Capacity	3 x GN1/1
Total Power kW	26.8
Temperature Range °C	120 - 280
IP Rating	IP24
Temperature Control	Mechanical
Rating per Hob kW	6.7
Oven Rating kW	4.0

Key Specifications

Number of Shelves included	3
Number of Shelf Positions	5
Number of Hobs	4
Shape of Hob	Square

Weights and Dimensions

Unit Height (External) mm	912
Unit Width (External) mm	600
Unit Depth (External) mm	800
Height (Internal) mm	410
Width (Internal) mm	525
Depth (Internal) mm	530
Shelf Dimensions Width mm	510
Shelf Dimensions Depth mm	530
Hob Dimensions mm	300 x 300
Net Weight Kg	155

Supply Connections

Requires Installation	Yes
Requires Electrical Supply	Yes
UK 3 Pin Plug	No
Requires Hardwiring	Yes
Electrical Supply Rating Watts	4,032
Single Phase Amps	17.8
Single Phase Voltage	230
Three Phase Amps	L1=8.7; L2=8.7; L3=N/A
Three Phase Voltage	400
Gas Connection BSP	1/2"
Gas Consumption at full rate Propane m ³ per Hour	1.92
Gas Pressure Propane mbar	37.0
Total heat input at full rate Propane kW	26.8
Total heat input at full rate Propane BTU per hour	91,445

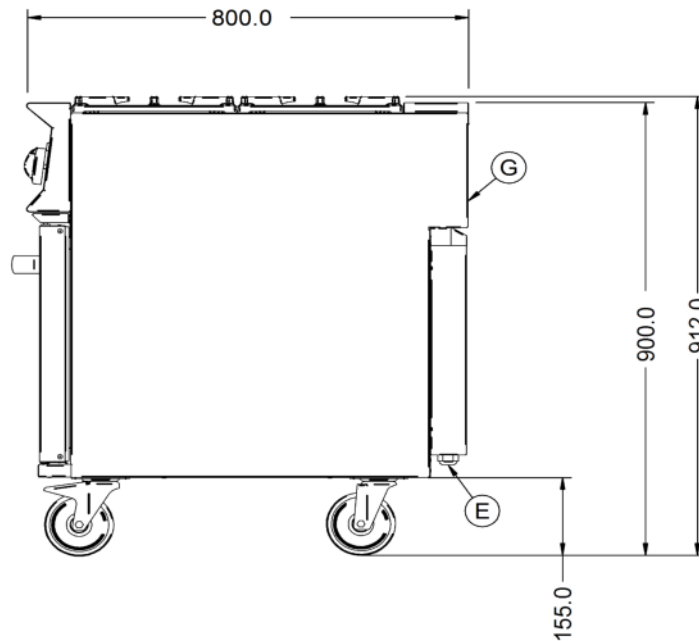
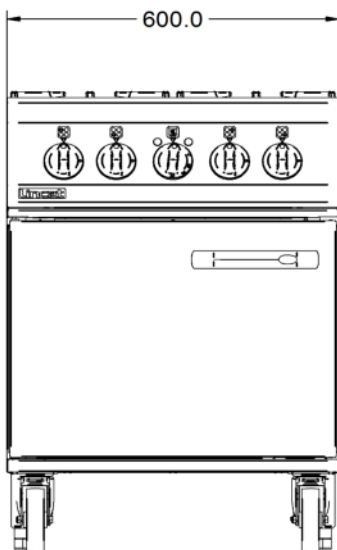
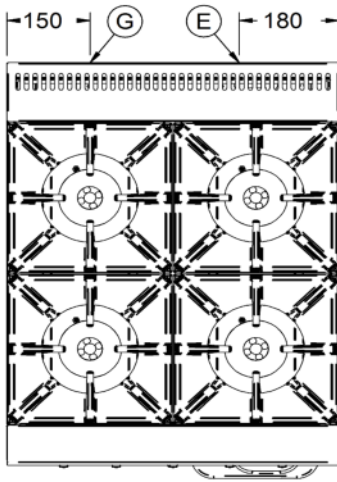
Shipping

Packed Weight Kg	167
Packed Height cm	105
Packed Width cm	70
Packed Depth cm	85

Available Accessories

CH01	NULL
CH02	NULL
LK06	NULL
OA8984	SPLASHBACK/SHELF - OD8006

Technical Picture



Lincat Limited

Whisby Road,
Lincoln, LN6 3QZ,
United Kingdom

Company No: 2175448

A member company of



Customer Care

Tel: +44 1522 875500
Email: care@lincat.co.uk

Export Customers

Tel: +44 1522 503250
Email: export@lincat.co.uk

Opening Hours

Monday – Friday:
8.30am – 5pm