

Installation & Operation Instructions



CST 100
CST 130



www.classeq.net

Accessories and Extras

Detergents and Hygiene Products


Product Application	Product Name	Quantity	Order Code
Dishwashing Products	Super clean dishwashing detergent	1x20l	DW1-20
	Super shine dishwashing rinse aid	1x20l	DWRA1-20
Salt	Tablet Salt DuoMatik	25kg	SALT T

Baskets

Product Name	Order Code
500mm ² basket – Flat	700GBP
500mm ² basket – Sectioned	700DRP
500 mm ² basket – Cutlery	



Water treatment

Description	Order code
 CST range	Automatic – DuoMatik 51-01-206

Accessories

Description	Order Code
Boostermatic	Pressure Pump (where water pressure is below 45psi/3bar) 99-05-039
Fixing Bracket	For Pump 99-32-002
Mixer Valve	For hot water installations 99-32-001

Service and Maintenance Contracts

Enjoy complete peace of mind with **Classeq's** range of tailored service contracts. We will be happy to discuss your requirements and provide a proposal which will cater for all your warewashing service needs.

Four Star ★★★★	Break down cover only. Call out and labour included. All replacement parts will be charged.
Five Star ★★★★★	Break down cover with call out, labour and parts included

Dear Customer

Thank you for choosing **Classeq**, the machine you have selected has been designed to give you lasting service.

Please read these instructions before installing, commissioning and operating this machine.

The information contained herein is provided to avoid accidental risks and/or damage to either yourself or your machine.

Make sure you and any other users understand the controls prior to using your machine.

Please keep these instructions in a safe place for future reference.







If you have any questions, or are not sure about any information contained in this manual please contact either your distributor or **Classeq**, details are provided inside the back cover.

TABLE OF CONTENTS

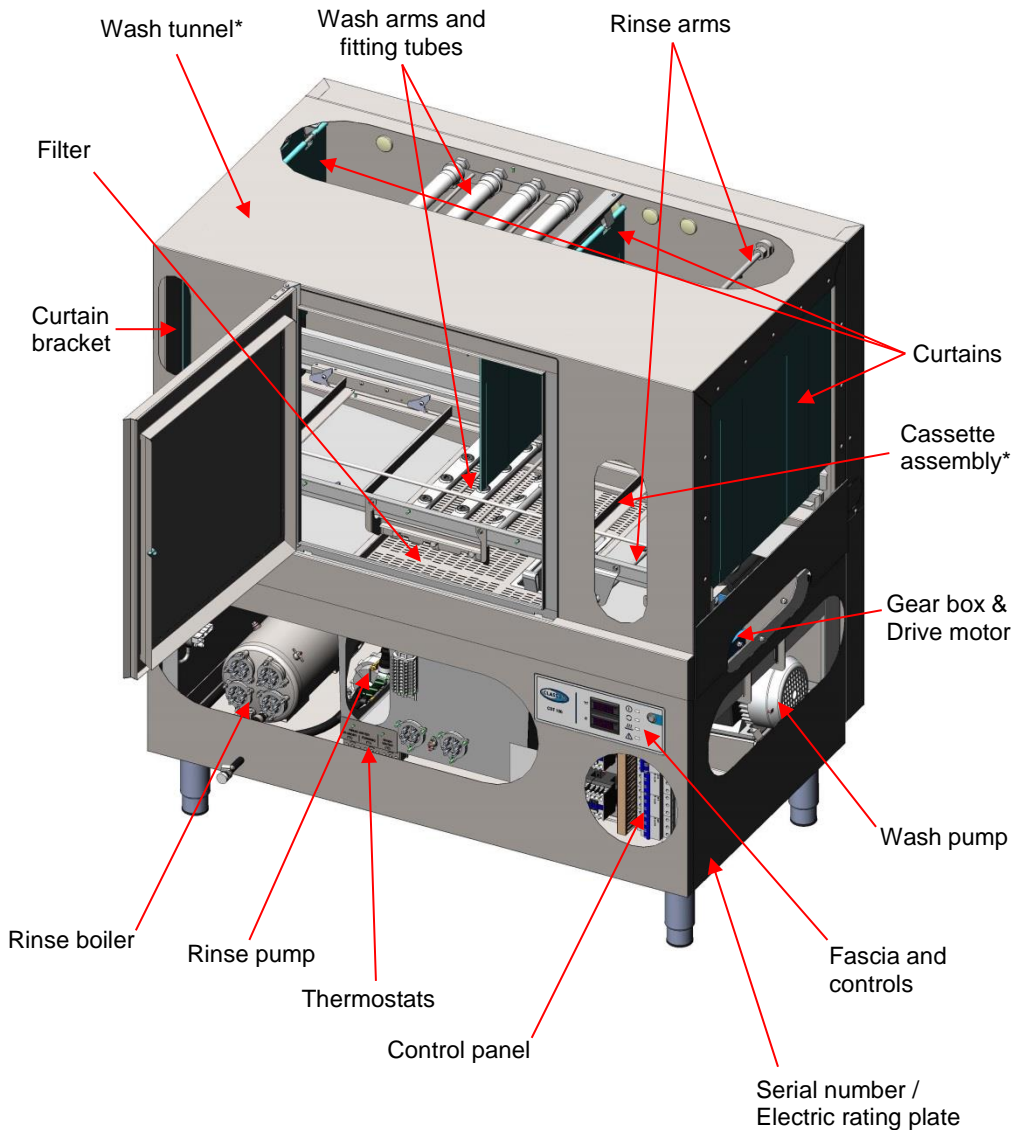
1. KNOW YOUR MACHINE	4
2. WARNING AND SAFETY INFORMATION	8
3. PRE - INSTALLATION	9
4. INSTALLATION	12
5. COMMISSIONING	16
6. OPERATION	17
7. SERVICING & MAINTENANCE.....	19
8. TROUBLE SHOOTING	21
9. DECOMMISSION	23
10. APPENDIX A.....	24
11. APPENDIX B.....	25
12. PARTS AND LABOUR WARRANTY TERMS	26
13. USEFUL CONTACT DETAILS / NOTES	27

EXPLANATION OF SYMBOLS USED

The following symbols have been used in this manual

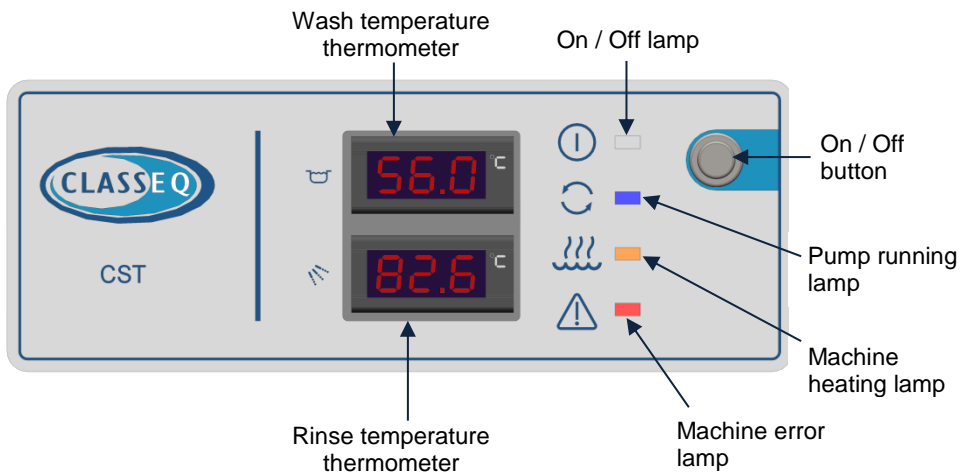
 Danger	Warning against potential serious or fatal injuries to persons if the described precautionary measures are not taken.		This symbol refers to a chapter with more detailed information
 Warning!	Warning against potential minor injuries to persons or potential material damage if the described precautionary measures are not taken		Refer to foot note at bottom of page
 Caution	Warning against defects in or destruction of the product if the described precautionary measures are not taken.		Recycle

1. Know Your Machine



* Take note of safety information regarding these components (▶2)

1.1 Fascia and Controls

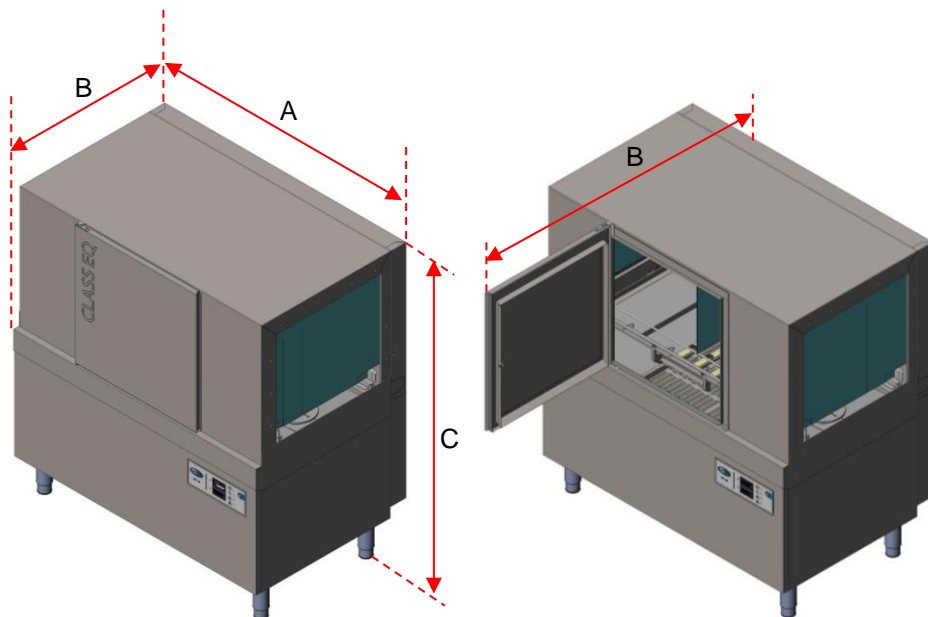


1.2 Contents of Your Machine

Items included within machine

1 x Installation and Operation Instructions	1 x Good Practice Guide
1 x Coil of Mains cable	2 x Splash guard
1 x Water inlet hose	2 x Long curtains
2 x Short curtains	1x Table end switch
1 x Table end switch wires	

1.3 Machine specification

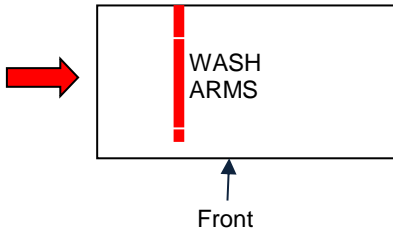


Dishwashers			CST
Machine (mm)	A = width		1300
	B = depth	Closed	810
		Open	1490
	C = height		1380-1440
Basket size (mm) (square basket)			500
Load capacity (dishes)			18
Load capacity (pint glass)			30
Basket rate (Baskets/hour)			100/130
Rinse running water temperature			82°C
Rinse standby water temperature			60°C
Wash water temperature			55°C

1.4 Machine orientation

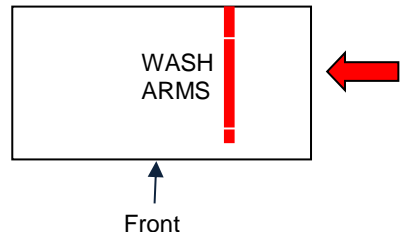
In the CST basket is moved from the entry to the exit during the cleaning process. The entry is considered the opening closest to the wash arms, while the exit will be closest to the rinse arms. The machine and tabling must be installed to match. Refer **Appendix B** for changing the orientation of the machine so that the entry is fixed to the table with the soiled items.

ENTRY SIDE



Left hand CST

ENTRY SIDE



Right hand CST

2. Warning and safety information

The machine should only be operated at or within the voltage specified on the rating plate (► 1). The installer and user are responsible for ensuring the installation and operation of this machine are in accordance with local and national regulations.

Beware of touching or placing items onto the wash tunnel of the machine, as this can get hot during use.

The machine is not fitted with a heat interlock but should be allowed to fully heat to the correct temperatures before use.

Only use commercial grade detergents and rinse-aids within your machine.

DO NOT use electrical extension lead(s) to supply power to your machine.

Damage to the machine caused by lime scale, or poor water quality will **NOT** be covered by the Manufacturer's Warranty.

Children should be supervised to ensure that they do not play with, or operate the machine.

When disconnecting your machine from the mains electrical supply:

- Machines hard wired (*i.e. no plug*), this must be disconnected in accordance with local and national regulations; **Classeq** recommends this is performed by a qualified electrician.

Always remove excess food from the dishes before loading.



Caution

DO NOT use your machine as a waste disposal unit.

Do not insert any items or parts of your body between moving components, as this could cause injury.

3. Pre - Installation

After unpacking your machine, check it for any possible transport damage. Never install and use a damaged machine. If your machine is damaged contact your retailer immediately.

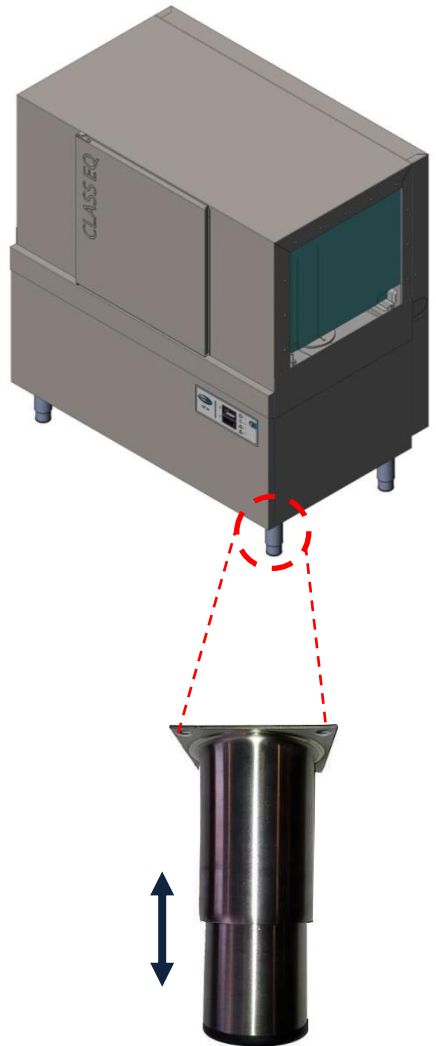
Make sure the water and electricity connections of your machine are in compliance with these instructions.

Remove all outer packaging and the protective film from your machine before positioning it.

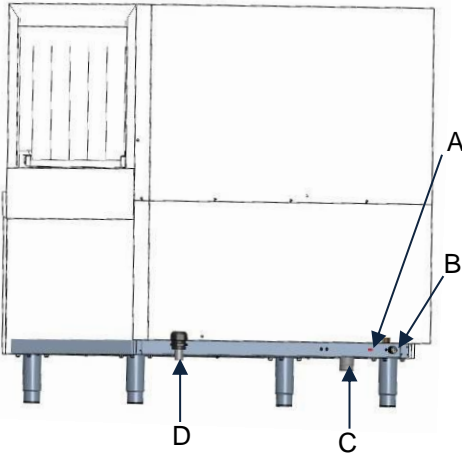
Ensure all packaging materials are disposed of in accordance with local and national regulations.

When positioning the machine, ensure that the water inlet and drain hoses are not kinked or squashed. Care must also be taken to ensure your machine does not rest upon any of its supply hoses / leads.

Once installed use the adjustable feet to ensure your machine is stable, with its weight being distributed equally and does not tilt more than 3° in any direction.



3.1 Machine mains supply requirements:



All mains connections are made at the rear of the machine



A = Earth bonding / Equi-potential stud

B = Water supply hose connection

C = Drain / waste water hose exit

D = Mains electrical supply cable entry

3.2 Electrical connection (► 3.1):

As a minimum **Classeq** recommends the following standards are maintained:

- All machines are connected via a residual current device (R.C.D.) or earth leakage protection device.
- **IEC 60204**
Supply isolator switch must have all pole separation of more than 3mm.

- **IEC 60335**

The machine must be connected to an equi-potential conductor, the connection stud is located at the rear of the machine (*a suitable ring terminal will be required*), this is in addition to the earthed electrical supply.

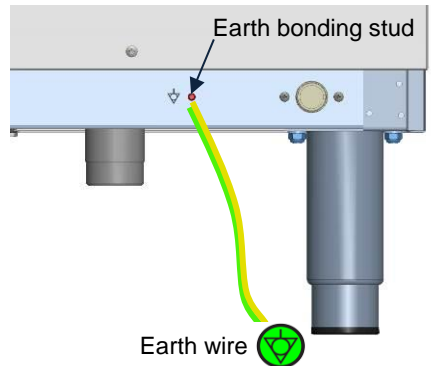
Prior to connecting the machine, ensure that the voltage and the supply fuse comply with the rating plate on the machine (► 1).

3.3 Earth bonding / Equi-potential stud:



*For safety reasons your machine **MUST** be earth bonded to adjacent metalwork, or may be earthed so that it is at the same potential (i.e. voltage).*

Please consult your distributor, **Classeq** or a qualified electrician if you are unsure how to do this.



3.4 Mains electrical plug:

Your machine will be supplied without an electrical plug and will need to be hard wired into the isolating switch.

3.5 Mains electrical cable specification:

If the mains electrical supply cable is damaged or has deteriorated, it must be replaced by a cable or cord assembly supplied by **Classeq**, or its service agent, and is to the following minimum specification.

For electrical rating of your machine refer to the rating plate (►1).



Warning!

Old existing, defective or damaged water supply hoses are NOT to be used when installing your machine.

3.6.2 Water supply restrictions:

Incoming water temperature

- 4°C minimum
- 55°C maximum

Supply water dynamic pressure

- 0 to 2 bar (0 to 200 kPa)
Rinse booster pump required
- 2 to 4 bar (200 to 400 kPa)
No modifications required
- 4 to 6 bar (400 to 600 kPa)
Flow restrictor required
- 6 bar plus (600 kPa plus)
Pressure reducing valve required

If the above requirements are not adhered to, the performance of the machine will be impaired.

3.8 Drain / waste water hose (►3.1 and 4.4):

Your machine is supplied with a waste hose that has a Ø40mm hard connection. This is to be connected to the site waste in accordance with the instructions in this manual. (►4.4)

Machine rating (Volts / Phase / Amps)		Mains Water	Cable type
380-415V / 3N~/45A		Cold	5G10
380-415V / 3N~/32A		Hot	
Temp. Rating	Length of cable	Conforms to	
80°C min.	Up to 5m	IEC 60335-2-58 & IEC 60227 types 56 & 57	

3.6 Water connection (►3.2):

For the longevity of your machine and to ensure you get consistently good results, it is essential your machine is either fed from a soft water supply, or your **Classeq** machine is connected to an appropriate water softener.

IMPORTANT - All supplier warranties are void if lime scale is present within your machine.

Commercial machine wash results will be affected by external conditions such as incoming water temperature, pressure, hardness and choice of chemicals.

3.6.1 Water supply hose:


Your machine comes with a new WRAS approved water supply hose (►1.2), requiring a G $\frac{3}{4}$ " ($\frac{3}{4}$ " BSP) male threaded connection at the mains water supply. This hose is to be connected to the machine and the mains water supply.

4. Installation

Make sure you have read section 3 of this manual to familiarise yourself with the machine before installation.

4.1 Recommended hand tools

Classeq recommends the following hand tools to aid installation of your machine.

Recommended Hand Tools	
	Spirit level
	3mm Hex key
	Medium flat screwdriver

4.2 Electrical supply connection

Your machine must be connected directly to the mains electrical supply using the mains electrical cable provided.


Prior to connecting your machine, ensure the electrical supply has a suitable and adequate circuit breaker / fuse. For the electrical rating of your machine refer to the rating plate (► 1). Contact your distributor, qualified electrician or **Classeq** if you are unsure how to check this.



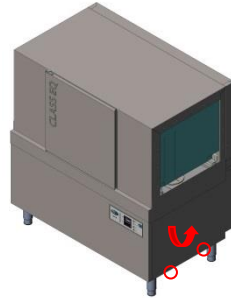
Danger

All mains electrical work must be carried out in accordance with local and national regulations, and by a qualified electrician.

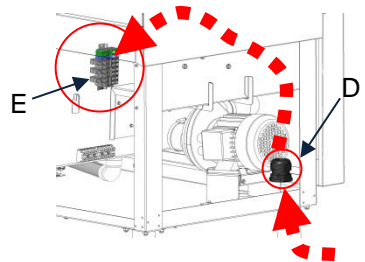
DO NOT turn on the mains supply breaker while the front panel of the machine is open.

Please follow below steps for mains cable installation: 

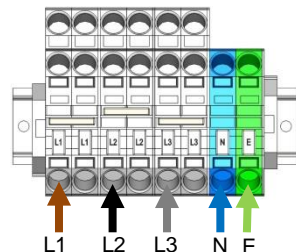
- Locate and loosen 2x M5 screw at the bottom of right hand side panel by 3mm Hex key.



- Remove the side panel and locate cable gland (D) and terminal block (E).



- Feed the mains cable through the cable gland (D) and route it toward terminal block (E).
- Refer to terminal block image below to insert wires of mains cable into the terminal block. Make sure each individual wire is inserted properly and there are no loose strands.



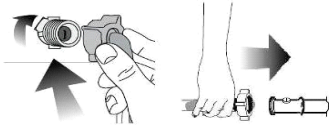
- Re-fit the side panel and fasten the 2 x M5 screw at the bottom by 3mm hex key.

4.3 Water supply hose connection (▶ 3.6.1)

Classeq recommend installing a shut off valve in the mains water supply line near the machine such that it is easily accessible.

Ensure the rubber seals within the ends of the hose are in place.

Connect the 90° bend end of the water supply hose to your machine (▶ 3.1) and the straight end to your water mains supply.



Ensure all connections are water tight before using your machine.

4.4 Drain hose connection

Fit the drain hose of your machine to the waste plumbing without kinking it.

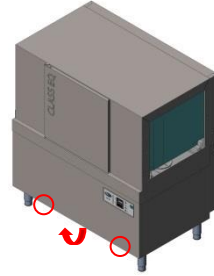
Secure your hose firmly to the waste pipe to avoid it coming off during the machine's operation.

The waste plumbing must only be connected into the foul drains and not the surface water drainage system.

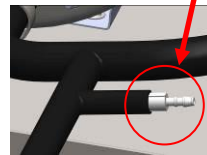
- Drain hose must flow down from the waste outlet to the drain.
- Ø40mm (1 ½") standpipe required, must be lower than the bottom of the wash tank in the machine (270-330mm from floor).
- Ensure the joint between standpipe and drain hose is water tight.

4.5.1 Chemical tubes

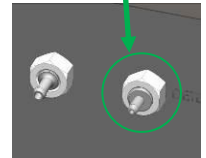
- Locate and loosen 2x M5 screw at the bottom of front panel by 3mm hex key.



- Remove front panel and locate the detergent inlet and rinse aid inlet on the front of the wash tank and rinse aid inlet on rinse pump inlet hose.

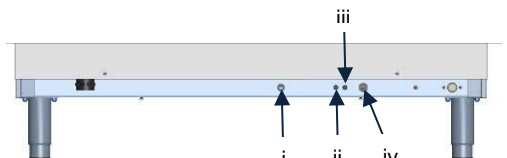


Rinse aid inlet



Detergent inlet

- Feed rinse aid and detergent tubes from holes (ii & iii) at the rear base of unit.



i – Cable gland for table end switch's cable
 ii & iii – Feed holes for detergent and rinse aid tube
 iv – Cable gland for chemical dosing cable

- Fit rinse aid tube onto the rinse aid inlet and detergent tube onto the detergent inlet. Tighten the tubes with cable ties and ensure they are water tight.

4.5.2 Chemical electric connection



Danger

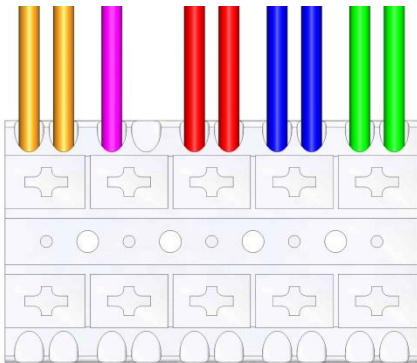
All mains electrical work must be carried out in accordance with local and national regulations, and by a qualified electrician.

The machine is not fitted with a chemical dosing system. It is suggested that a Winterhalter DR30 Max or similar chemical dosing system is installed to the machine.

Failure to fit and correctly setup chemical dosing systems will have a severely adverse effect on the results of the machine.

The chemical pump system can be connected via the supplied terminal block located on the side of the wash tank. See below image for the signals provided.

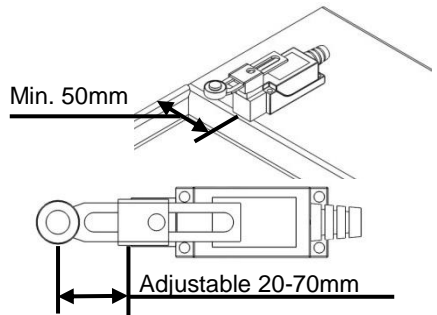
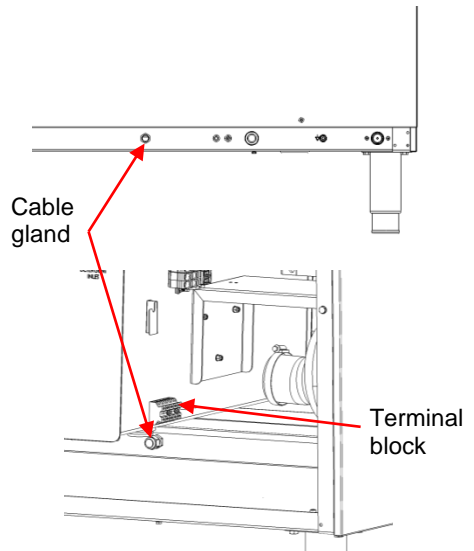
Orange	Red	Purple	Blue	Earth
Running	On	WT full	Neutral	



The cable for the chemical pump system should be fed through the cable gland at the rear of the machine (► 1)

4.6 Table end limit switch

It is very important that the table end limit switch be installed at the end of the exit table and the arm adjusted so that it is activated by the basket before it reaches the end of the table. The cable should be routed through the small cable gland at the rear of the machine and plugged into the harness at the connector near the small terminal block. The switch should be wired on the normally closed circuit.

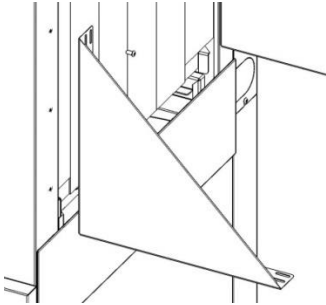


This switch will stop the machine when activated allowing the operator time to remove the clean baskets before more baskets are pushed through the machine.

4.7 Installing the splash guard

Once the machine has been installed and all tabling has been aligned the splash guards should be fitted to the exit of the machine.

Remove the 3x M5 screws on either side of the exit and use these to fasten the splash guard in place. Align the splash guard to the front of the machine and the side of the exit as best as possible. Once fitted the splash guards should be sealed against the tabling.



5. Commissioning

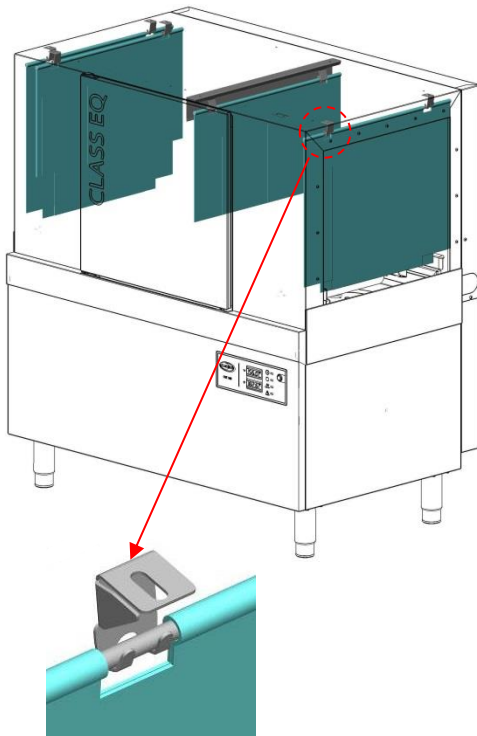
5.1 Installing curtain

Remove the curtains from the packing and fit them into the curtain brackets as shown in the picture below, a long curtain at each end and small curtain in the centre. Make sure all the curtains are fitted properly into their respective brackets.



Caution!

Never run the machine without the curtains fitted.

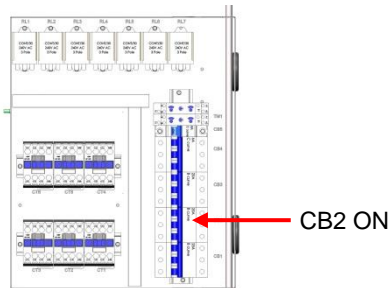


5.2 Rinse & wash tank temperatures:

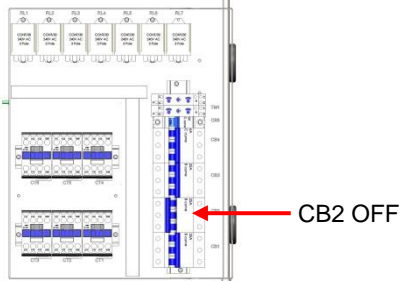
Water temperatures are pre-set (▶ 1.3), however **Classeq** recommends these are checked / calibrated to ensure compliance to local and national regulations.

5.3 Electrical supply setup

If the machine is fitted to a hot water supply (maximum temperature of 55°C) then the electrical supply to the machine can be changed (▶ 3.5). This is done by turning off CB2, this turns off one of the banks of elements used in the rinse boiler and reduces the current required.



Cold fill (45A per phase)

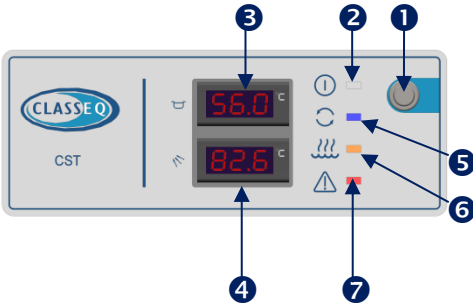


Hot fill (32A per phase)

6. Operation

6.1 Controls:

Prior to turning the machine ON, ensure that you are familiar with the controls on the front fascia of the machine and the location of the isolators for mains electricity and water supply.



- 1 ON/OFF button
- 2 ON/OFF lamp
- 3 Wash water thermometer
- 4 Rinse water thermometer
- 5 Pump running lamp
- 6 Machine heating lamp
- 7 Machine error lamp

6.2 Switch the machine on:

Ensure both the water and electrical supplies are connected and switched on, ensure the door of your machine is closed.

Press the On/Off button 1 located on the fascia of the machine. The On/Off lamp 2 will illuminate.

The machine will now automatically fill and heat, during this process the door MUST remain closed all the times.

6.3 Machine ready to operate:

It is IMPORTANT after turning the machine on for the first time each day to allow time for it to fill and heat up before starting the first wash cycle. The machine heating lamp

6 will illuminate. Once the machine achieves the correct temperatures machine heating lamp will go out and machine is ready for the first cycle.

Machine rating (Volts / Phase / Amps)	Required initial fill & heat up time
380-415V / 3N~/45A	Approximately
380-415V / 3N~/32A	35min

**These times may vary depending on your incoming water temperature.*

6.4 Starting a cycle:

Always remove excess food / debris from any dishes / glasses to be washed.

Push the loaded basket into the machine from the entry side. This will displace the basket arm and start the cycle.

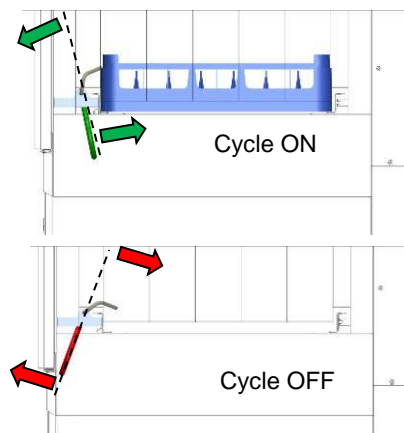
Once the cycle has been started the cassette will move the basket through the machine from the entry to exit.



Caution

Once the cassette has started to move DO NOT insert any items between moving parts.

The cycle lamp 5 will be illuminated during the cycle period.



Once the last basket in the queue has exited the machine the cassette will continue to run for 2min to aid in 'picking up' further baskets.



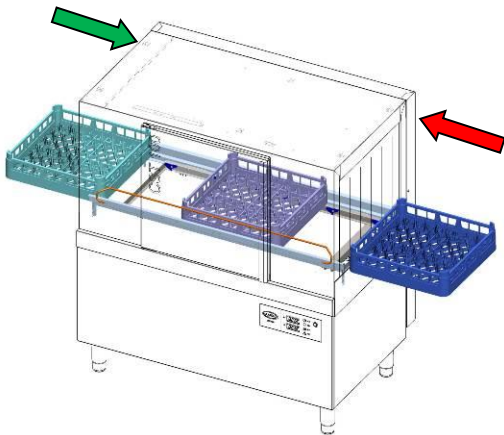
Care Note:

Wash and rinse water are very hot. DO NOT put any part of your body inside the machine while the pump running light is illuminated.

When the exit table is full the baskets should activate the table end switch which will stop the machine and illuminate the error lamp ⑦. Once the clean baskets have been removed the machine will continue to run.

★ Left hand CST

★ Right hand CST



6.5 Draining:

During normal operation your machine will away any excess water the weirs over the top of the drain plug.

It is very important the machine is drained down at the end of each works session and the door is left open to allow drying.



The machine should never be left full of water if you are turning it off.

To drain the machine fully

- Turn machine OFF at on/off button ①.
- Open the door and remove filters.
- Remove the drain plug from the wash tank.
- The machine should now drain under gravity
- Once drained put back the drain plug into wash tank.
- Now turn off the mains electrical supply at the wall.

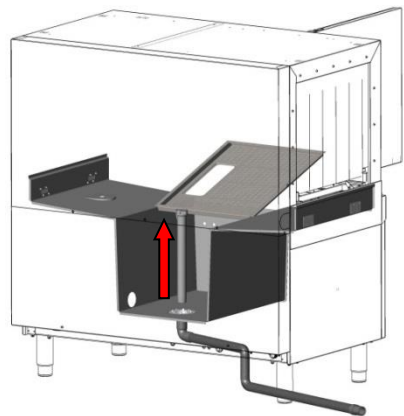
Note!

Once empty **Classeq** recommends the mains electricity supply is turned off and the machine is cleaned.

For hygiene reasons it is recommended that once the machine has been drained the door is left open to assist in natural drying of the wash chamber.



**Be aware:
-Hot wash tank water**



7. Servicing & Maintenance

DO NOT spray the exterior or interior of the machine and the surrounding area (*panels, base*) using a water hose, steam-jet air ejector or high-pressure cleaner.

Ensure the base of the machine is never submerged or standing in water when operating the machine.

7.1 Prior to cleaning:

Ensure the machine has first been drained down (▶ 6.5).

Turn off the mains electrical supply before cleaning the machine.

DO NOT use cleaning agents that contain CHLORINE, BLEACH or HYPOCHLORITE.

DO NOT use STEEL WOOL, WIRE BRUSHES or any other abrasive materials.

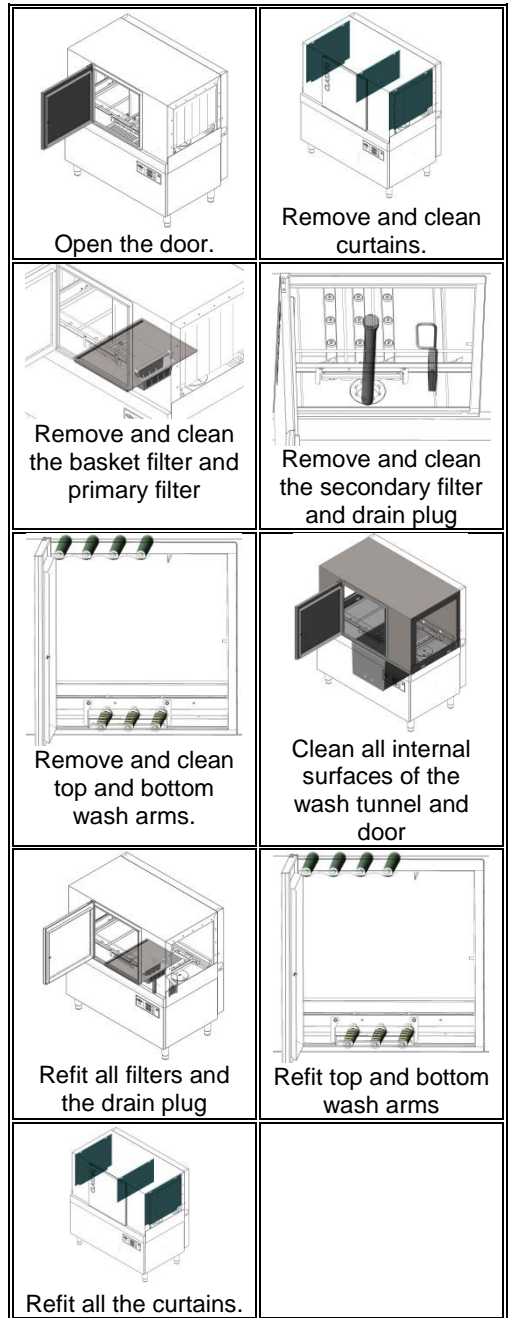
Before cleaning the wash chamber, ensure all sharp items, such as broken glass or other items which could cause injury are removed carefully.

Daily internal cleaning:

The machine does not have a self-cleaning program; it is recommended the machine is cleaned daily to ensure the wash action of the cycle is maintained.

If the interior of the machine is dirty: Clean the interior with a sponge and a brush.

Clean any build-up from inside the air pressure vessel (▶ 1).



7.2 Exterior cleaning:

Wipe the exterior of the machine with a damp (**NOT WET**) sponge.

Once dry, clean using a **STAINLESS STEEL** cleaning agent.



Your local water board should be able to tell you if the water in your area is hard or soft. As a guide refer to the map in Appendix B (▶ 11).

If you find a build-up of white powder like material in the wash tank of your machine, you may need to de-scale your machine (▶ 10).

Damage to the machined caused by lime scale will **NOT** be covered by the Manufacturer's Warranty.

7.3 Lime scale:

For best results ensure your machine is operated with soft water.

If your machine is operated with hard water without the relevant water treatment, the internal working and all water lines can become scaled and your results will deteriorate and the machine will not perform.

The visual signs of lime scale being:

- White marks may appear on glasses, dishes and cutlery.



- Dishes may appear dirty even after a wash.
- Build-up of lime scale within the wash cabinet of your machine

8. Trouble Shooting

Before placing a service call, please check the following:

- Machine is connected to the mains water and electricity supply and both are turned on.
- The level of chemicals within the rinse aid and detergent bottles and the bottle weights and tubes are correctly positioned.
- The drain pipe is correct for the machine (▶4.4).

NOTE:

In the event of a service call being made under Warranty and it is found that the fault(s) are due to non-observance of instructions in this manual, the call will be charged at current rates.

8.1 Machine does not fill:

- Check water supply is turned ON.
- Check water supply hose is not trapped or kinked.
- Check that the machine is switched ON.
- Check that door is closed.
- Check if drain plug is secure tightly into its position.
- Check table end switch has not been activated.
- Check there is no obstruction around the drive plate.

8.2 Cycle does not start:

- Check wash tank is full.
- Check that the warning lamp is not illuminated.
- Check basket arm rod touching the basket all the time.
- Check water supply is turned ON.
- Check water supply hose is not trapped or kinked.

8.3 Machine fills slowly:

- Check water supply tap is fully open.
- Check water supply pressure (▶3.7.2) and remove any pressure regulator or reducer.
- Check and clean rinse jets (*located on the rinse arms within the machine*).
- Check water supply hose is not trapped or kinked.

8.4 Machine not heating:

- Ensure enough time has been allowed for machine to reach correct temperatures (▶6.3).
- Check that the machine is full of water.

8.5 Machine not draining:

- Check and clean all filters within the machine.
- Check that the drain is not clogged / blocked / kinked.

8.6 Poor wash results:

- Check and replenish chemicals.
- Check and clean wash and rinse jets on the wash and rinse arm assemblies.
- Clean filters within machine and check that they are fitted correctly.
- Check water supply is ON and fully open.
- Rinse dishes of any food debris before placing into the dishwasher.

8.7 Overfilling:

- Drain machine fully (▶6.5), then try again to fill the machine.
- Check and clean all filters within the machine.
- Check drain height is configured correctly shown in (▶4.4).
- Check that drain is not clogged / blocked / kinked.
- Check and clean drain plug.
- If the machine continues to overfill, turn off the electricity and water supplies to the machine, before calling a service technician.

8.8 Wash water foaming:

- Check chemicals are manufactured for use in commercial dishwashers.
- Check wash water is up to temperature.
- Check chemical dosing is set according to the chemical manufacturers requirements.
- Drain, refill and allow re-heating.

8.9 Will not turn ON:

- Check and reset circuit breaker within the sites fuse board, if the circuit breaker continues to trip call a service technician immediately.

8.10 Will not turn OFF:

- Turn off the mains electrical supply at the wall / isolator or junction box before calling for a service technician immediately.

8.11 Basket not moving:

- Check for obstructions on the drive rail and at the drive plate.
- Check that machine error lamp is not illuminated.

8.12 Machine stopping and starting while in a cycle:

- Check water supply hose is not trapped or kinked.
- Check water supply tap is fully open.
- Check dynamic water pressure is above 2 bar.
- Check table end switch has not been activated.

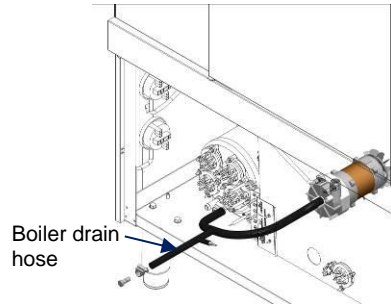
8.13 Red (Error) lamp illuminated:

- Check door is closed.
- Check driving cassette is not jammed.
- Check table end switch has not been activated.

9. Decommission

If for any reason you require removing or, decommissioning your machine, and then do so in accordance with local and national regulations. As a minimum **Classeq** recommends the following procedure is followed.

- Remove chemical tubes from the chemical bottles, ensuring the bottles are then capped to prevent any further spillage; refer to all safety statements on chemical bottles prior to this and for dealing with any spillage.
- Ensure the machine is fully drained (▶6.6), once completed remove the waste hose from the drain standpipe; ensure any spilt liquid is dried prior to advancing to the next step.
- Turn off the mains electrical supply at wall / isolator / junction box.
- The machine must be disconnected from the mains by a **qualified electrician** in accordance with local and national regulation.
- Once the electrical supply has been disconnected, ensure the earth bonding / equi-potential wire is removed from the stud at the rear of the machine.
- Turn off the water supply to the machine and disconnect the water supply hose from mains water supply, ensuring any spillage is dried prior to moving onto next step.
- Remove the front panel using a 3mm hex key.
- Now locate the 'Boiler drainage hose' as shown. Ensure this protrudes from the front of the machine and you have a container large enough to hold 8 litres of water.



If the machine is being drained immediately after use, water draining from the 'Boiler drainage hose' may reach over 82°C.

- Loosen the jubilee clip and remove the drain plug, ensuring the water flows into the container mentioned above. Once fully drained replace the plug and retighten the jubilee clip.
- Replace and secure the front panel, and ensure all cables and hoses are secured to the machine to prevent tripping hazards. The machine is now ready to be removed.



If you are recycling or disposing of your machine, please ensure this is done in accordance with local and national regulations.

10. Appendix A

De-scaling:

You can de-scale the wash tank of your machine yourself with the help of the following notes; to de-scale the rinse boiler you will need to contact your service engineer or **Classeq**:

- Drain the machine (▶ 6.5).
- Remove the PVC hoses from the chemical bottles.
- Fill the machine (▶ 6.2).
- Wait till the machine is ready for operation.



Warning!

When handling chemicals, observe all safety notes and dosing recommendations printed on their packaging. Wear protective clothing, protective gloves and protective goggles when handling chemicals.

- Use the recommended dose of de-scale, as stated on the packaging.
- Run cycle for 15 min (▶ 6.4).
- Drain the machine (▶ 6.5).



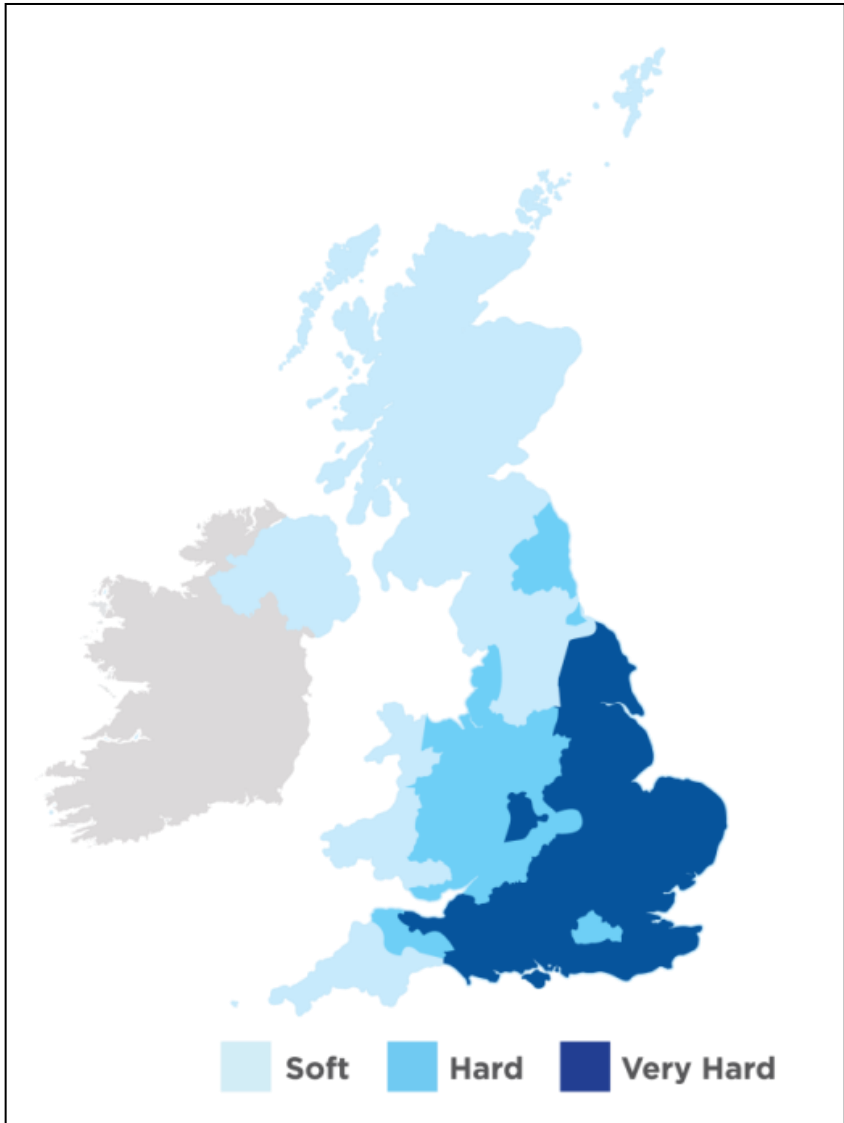
Caution

De-scale must not remain in the machine for more than 2 hours.

- Fill the machine (▶ 6.2).
- Run cycles for 10 min to remove the remaining de scale from the washing system.
- Drain the machine again (▶ 6.5).

11. Appendix B

For more detailed information regarding



your water hardness, please contact your water supplier.

Map correct at time of going to print

12. Parts and Labour Warranty Terms

Classeq Glass & Dishwashing Systems Ltd. Parts and Labour Warranty Terms

The user is entitled to free replacement and fitting of any part found to be faulty in material or workmanship, including any parts rendered inoperative by the effect of a faulty component, for a period of one year, or as specified by the vendor at the time of purchase.

Exceptions

All faults or conditions caused by Operator misuse, including (but not exclusively):

- Incorrect Installation.
- No fault found.
- Problems with electricity supply or plumbing e.g. water and waste.
- Failure to follow instructions in the User Handbook.
- Use of incompatible chemicals or chemical set at incorrect concentration.
- Drain system blocked or damaged by foreign bodies.
- Wash pumps damaged due to foreign bodies entering the wash system.
- Use of un-softened (hard) water. The use of a faulty water softener or the failure to properly regenerate a water softener.
- Use of excessive force on the machine, e.g. switches etc.
- The cost of replacing any item found to be lost or missing.
- Use of non-compatible cleaning materials.
- Incorrect assembly after cleaning.
- Damage to machine caused by any 3rd party.

13. Useful Contact Details / Notes



www.classeq.net

To help when contacting please quote the serial number and model of machine

Warranty:

To register your machine visit:

www.classeq.co.uk.

Document no. - 30008892
Revision – A-02 (Nov 2015)
Language - English