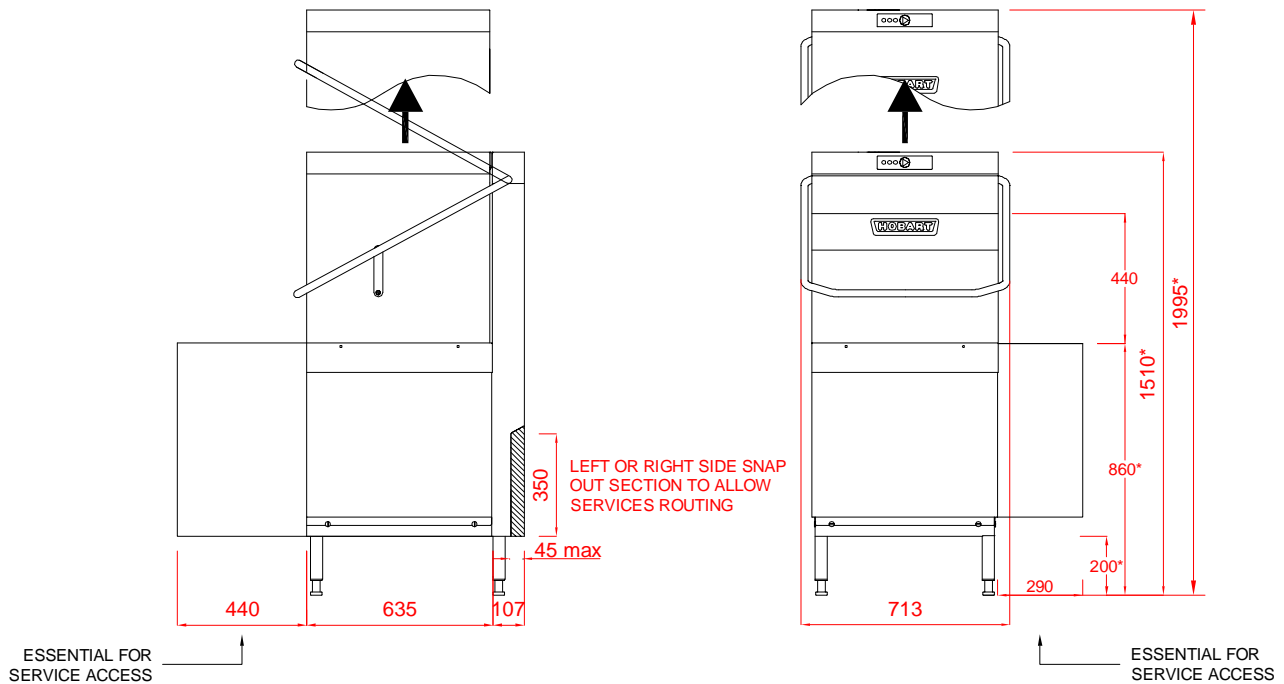
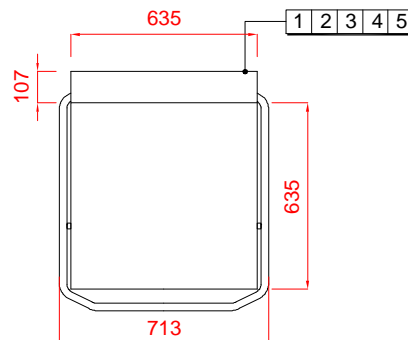
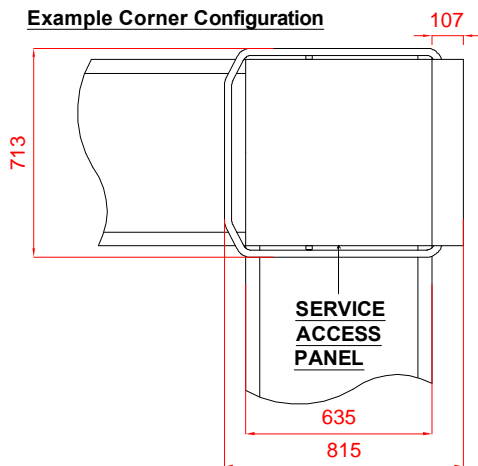


Hood Type Pass Through Dishwasher

AMX-10A



Example Corner Configuration



<p><b>1</b> Water</p> <p>22mm CONNECTION VIA 2 METRE FLEXIBLE HOSE, FEMALE TERMINATION.</p> <p>WATER SUPPLY 60°C (2° TO 8° CLARK MAX) @ 0.4 TO 10 BAR MAX.</p> <p>INITIAL TANK FILL 23 LITRES.</p> <p>RINSE WATER USAGE 2.0 LITRES PER CYCLE. MAX USAGE 120 LITRES PER HOUR.</p> <p>OUR MACHINES ARE SUPPLIED WITH CLASS 'AA' AIR GAP AS STANDARD.</p>	<p><b>2</b> Drain</p> <p>DRAIN - 2 METRE FLEXIBLE HOSE TO A 40 mm TRAPPED STANDPIPE 500mm A.F.F.L.</p> <p>FLOW RATE 30 LITRES PER MINUTE. DRAIN TIME TYPICALLY 3 MINUTES</p> <p><b>4</b> Other Services</p> <p>RINSE AGENT HOSE - 2.0 METRE FLEXIBLE.</p> <p>DETERGENT HOSE - 2.0 METRE FLEXIBLE.</p>	<p><b>3</b> Electric Loading</p> <p>7.1kW 400/50/3 + N + E FUSED AT 16AMPS / PHASE.</p> <p><b>CONFIGURABLE TO:</b> 5.0kW 230/50/1 FUSED AT 25AMPS MACHINE SUPPLIED WITH 2.5 METRES OF CABLE.</p> <p><b>Notes</b></p> <p>APPROX WEIGHTS: EMPTY: 101kg's WITH WATER: 133kg's HEIGHTS MARKED * REPRESENT ±20mm. MIN DISTANCE FROM WALL TO INSIDE OF TABLING BOXED EDGE 154.5mm</p>
--	---	---