

MODEL#: 20195, 20198, 20207, 20208

Item No. _____
Project No. _____
S.I.S. No. _____

Portable Sanitary Safety Shields

A highly adaptable and easy to clean protective barrier that limits and reduces exposure between your employees and customers.



PROTECT 1
SNEEZE GUARD

Portable Sanitary Safety Shields

Item No. _____
Project No. _____
S.I.S. No. _____

Universal Counter Top Safety Shield **Model #20195**



- Durable .25 Acrylic
- No tools required*



PROTECT 1
SNEEZE GUARD

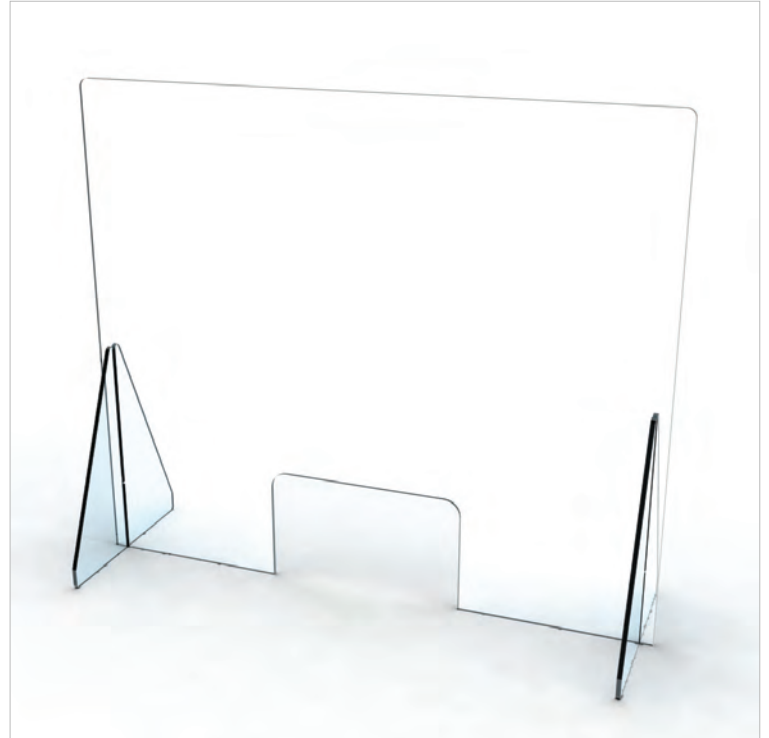
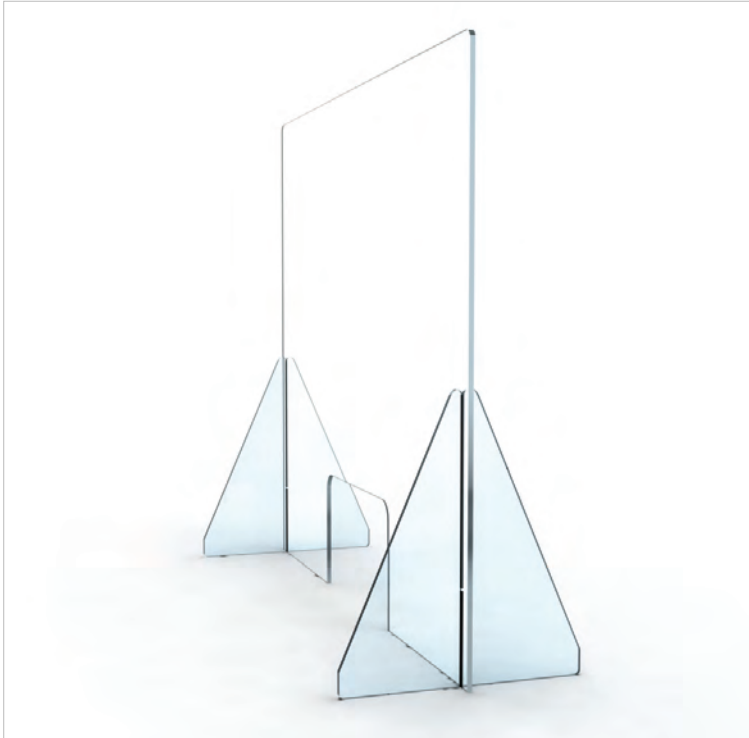
Portable Sanitary Safety Shields

Item No. _____
Project No. _____
S.I.S. No. _____

Universal Quick Set Safety Shield **Model #20198**



- Durable .25 Acrylic
- No tools required*



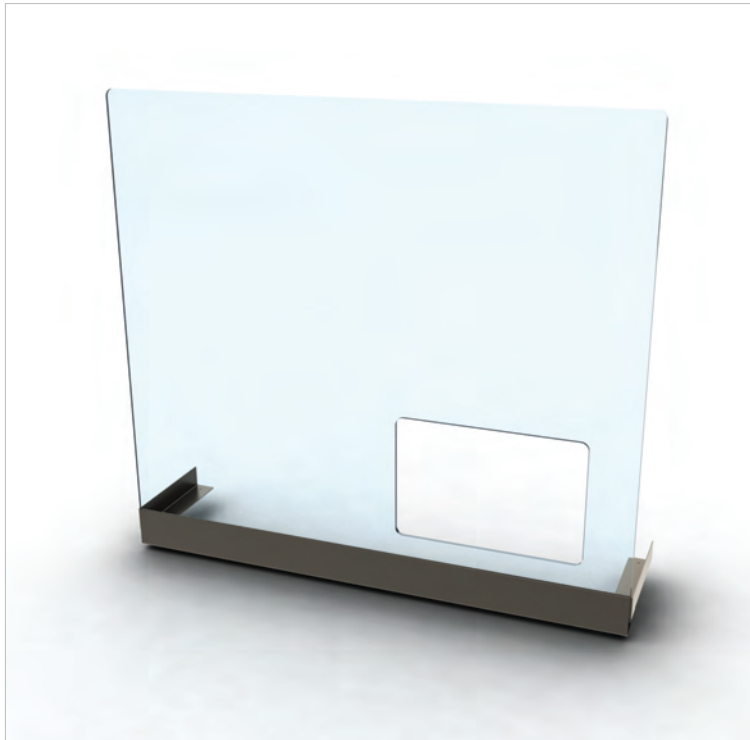
Portable Sanitary Safety Shields

Item No. _____
Project No. _____
S.I.S. No. _____

Universal Counter Mount Safety Shield **Model #20207**



- Durable .25 Acrylic
- Mounts to the edge of Desk or Kiosk



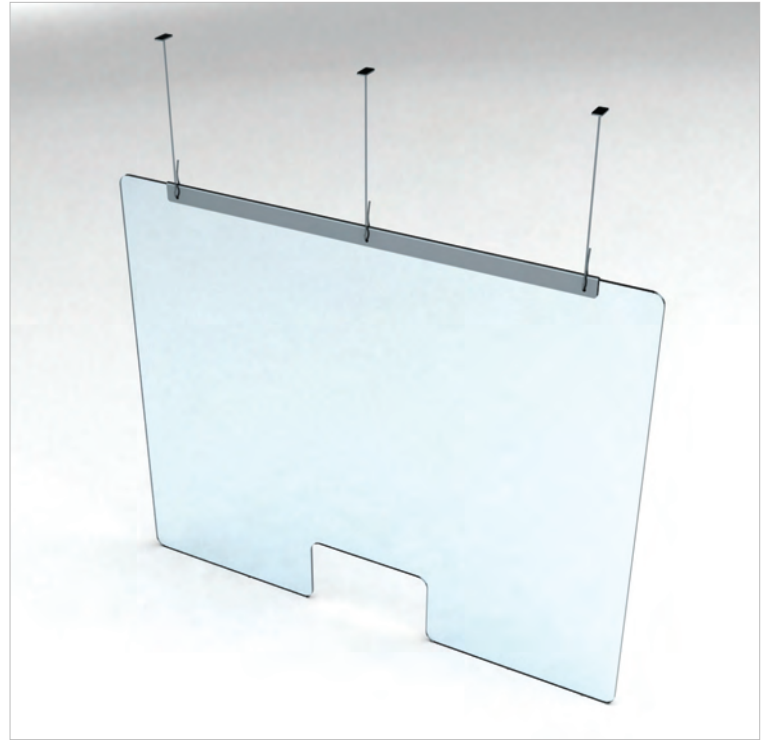
Portable Sanitary Safety Shields

Item No. _____
Project No. _____
S.I.S. No. _____

Universal Ceiling Mount Safety Shield **Model #20208**

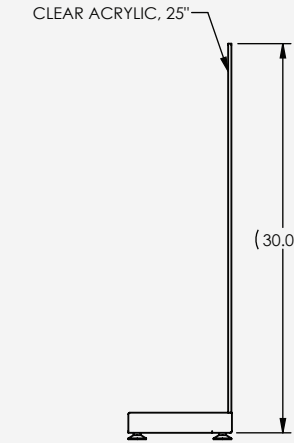
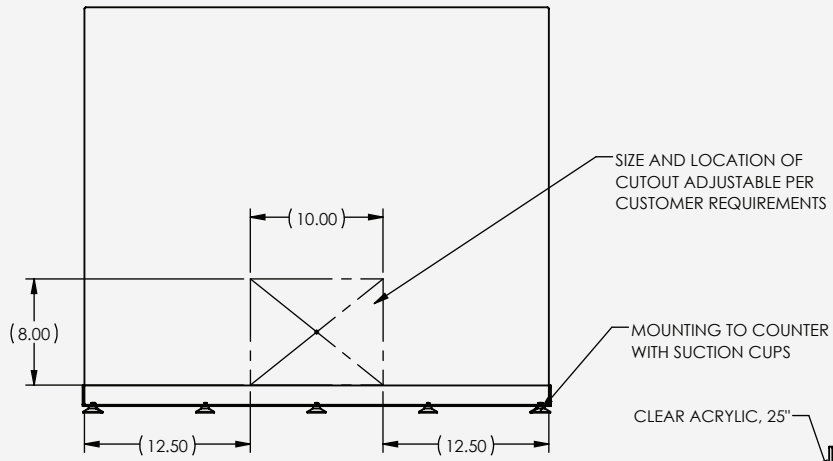
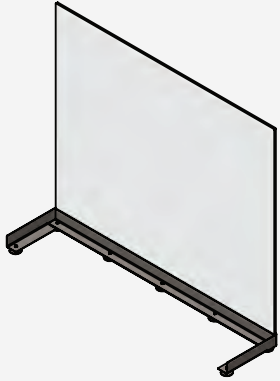


- Durable .25 Acrylic
- Mounts to Ceiling Grid

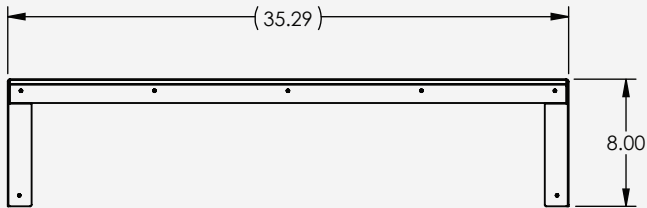


Specifications

MODEL#: 20195

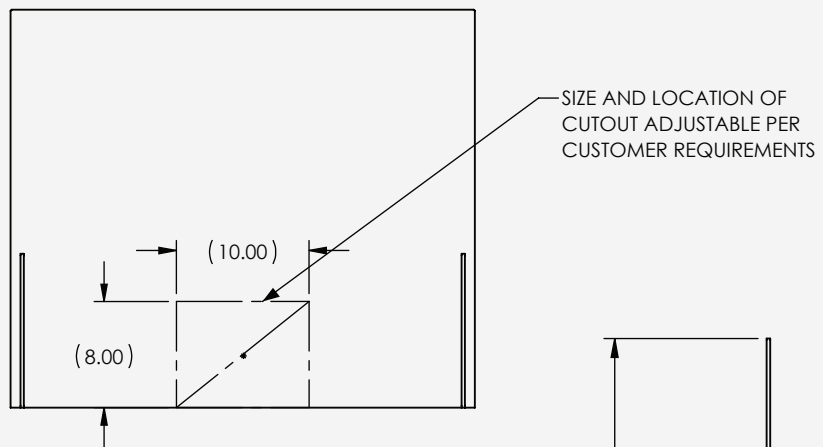
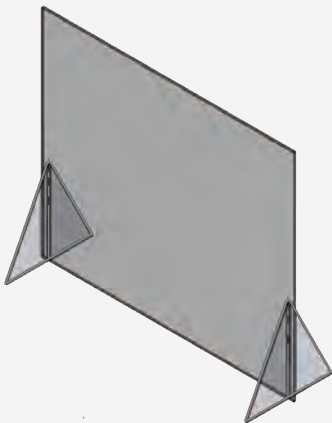


LENGTH PER CUSTOMER REQUIREMENTS

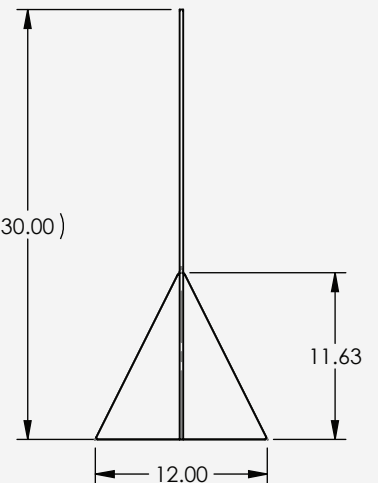


HEIGHT, CUT PER CUSTOMER REQUIREMENTS

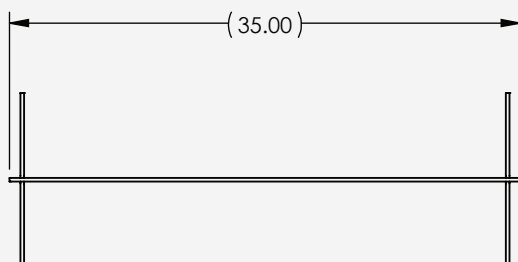
MODEL#: 20198



HEIGHT, CUT PER CUSTOMER REQUIREMENTS (30.00)

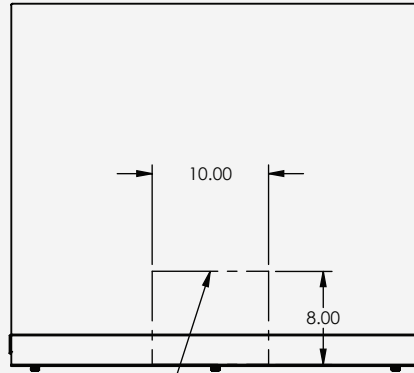


LENGTH PER CUSTOMER REQUIREMENTS

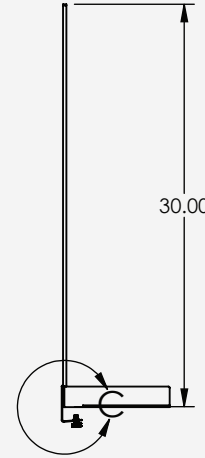


Specifications

MODEL#: 20207

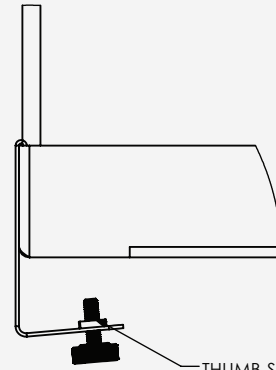
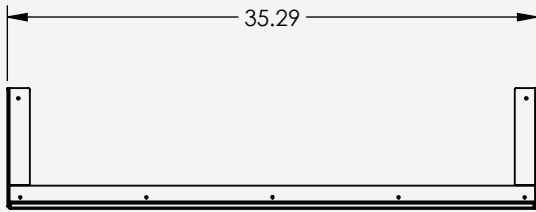


SIZE AND LOCATION OF CUTOUT ADJUSTABLE PER CUSTOMER REQUIREMENTS



HEIGHT, CUT PER CUSTOMER REQUIREMENTS

LENGTH PER CUSTOMER REQUIREMENTS



THUMB-SCREW MOUNTING UNDERCOUNTERTOP

MODEL#: 20208

