

# P500A Pass Through Dishwasher

Technical Specifications



**CLASSEQ**  
Warewashing Made Simple.

# P500A

High volume, simple to use, WRAS compliant dishwashers, suitable for straight-through or corner sited operations.

Classeq's range of digital Pass-through dishwashers (also known as hood types) are perfectly suited to any busy kitchen and are capable of cleaning up to 720 plates per hour. With a 39 litre wash tank, running costs are kept to a minimum and features such as continuous hood clean and removable wash arms ensure that they are easy to clean.

All machines have simple to use digital controls, an LCD display to show wash and rinse tank temperatures and select cycle programs, plus are fully Water Board compliant. Drain pumps are fitted as standard, chemical pumps and water softeners are available as an optional extra.



All machines can be upgraded to include an integral water softener.  
(an essential requirement in hard water areas)



# Warewashing made simple:



## UK Manufactured

Our machines are Made in Britain (Staffordshire).



## Three Wash Programs

1.5, 3 and 5 minutes



## User Friendly

We've maximised our user experience through, two simple button controls.



## WRAS compliant

Type 'A' Air gap



## Liquid Crystal Display

A new and improved LCD display screen.

## Machine Features:

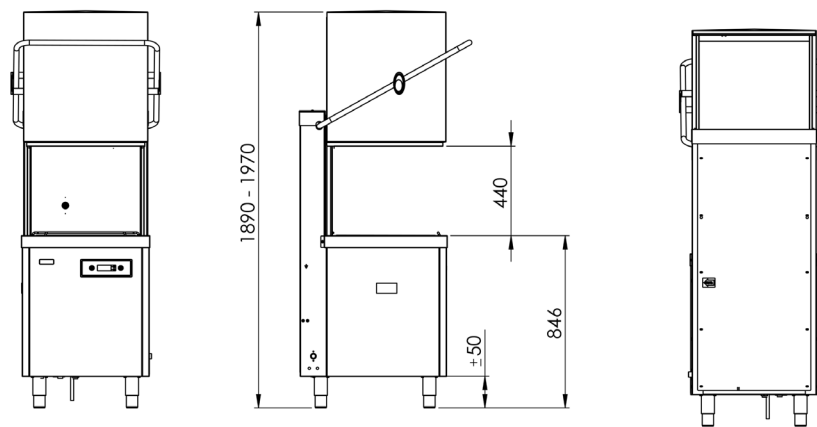
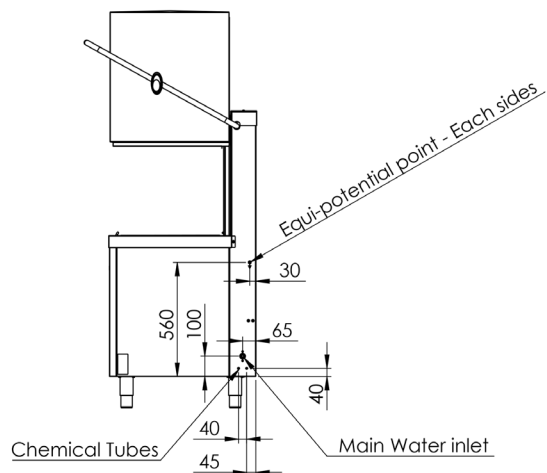
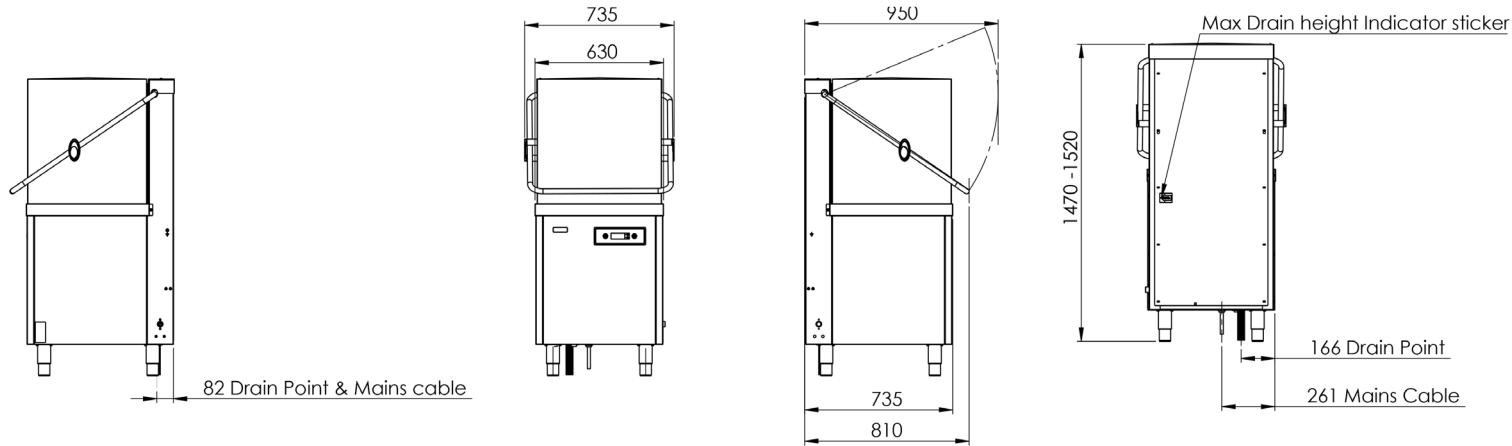
1 500mm x 500mm basket	2 Optional Built-in chemical pumps	3 Built in rinse booster pump	4 Removable basket guides
5 Dual wash filter system	6 Temperature interlock - guarantees hot rinse	7 Continuous Hood Clean System	8 High volume Dishwasher

	Everyday Use P500A-12	Intermediate Use P500A-16	Intensive Use P500A-22
<b>Dimensions</b>			
Width	630mm	630mm	630mm
Depth	720mm	720mm	720mm
Height - Hood Open	1890-1960mm	1890-1960mm	1890-1960mm
Height - Hood Closed	1470-1520mm	1470-1520mm	1470-1520mm
Maximum clear entry height	440mm	440mm	440mm
Water inlet height floor level	265-315mm	265-315mm	265-315mm
Drain height floor level	0-700mm	0-700mm	0-600mm
Drain size	Ø40mm	Ø40mm	Ø40mm
Rack size	500mm <sup>2</sup>	500mm <sup>2</sup>	500mm <sup>2</sup>
<b>Hydraulic specifications</b>			
Water supply connection	3/4"	3/4"	3/4"
Required water pressure	2.0 bar	2.0 bar	2.0 bar
Required water flow rate	11Ltrs/min 4Ltrs/min (WS)	11Ltrs/min 4Ltrs/min (WS)	11Ltrs/min 4Ltrs/min (WS)
<b>Electrical specifications</b>			
Operating voltage Standard	380-415AC/50/3N	380-415AC/50/3N	380-415AC/50/3N
Operating voltage Optional	220-240AC/50/1N	-	-
Amps required - 1 Phase Water fed @	40°C - 30A 10°C - 30A	-	-
Amps required - 3 Phase Water fed @	40°C - 12A 10°C - 12A	40°C - 16A 10°C - 16A	40°C - 22A 10°C - 22A
Rinse boiler heating 380-415AC/50/3N 220-240AC/50/1N	6.00kW 6.00kW	8.64kW -	12kW -
Total Connected Load 380-415AC/50/3N 220-240AC/50/1N	6.68kW 6.68kW	9.32kW -	12.68kW -
<b>Performance</b>			
Theoretical maximum racks/hour	40	40	40
Max no. of plates per rack	18	18	18
Cycle Times (mins)	1.5 / 3 / 5	1.5 / 3 / 5	1.5 / 3 / 5
Operating noise level	<70dB	<70dB	<70dB
Net weight	130kg	130kg	130kg
Wash pump size	0.58kW	0.58kW	0.58kW
Wash pump capacity	380Ltrs/min	380Ltrs/min	380Ltrs/min
Wash tank capacity	39Ltrs	39Ltrs	39Ltrs
Wash tank heating	4.05kW	4.05kW	4.05kW
Wash tank temperature	55°C	55°C	55°C
Rinse boiler capacity	7.5Ltrs	7.5Ltrs	12Ltrs
Rinse boiler temperature	82°C	82°C	82°C
Rinse water consumption at 2 bar	3.25Ltrs	3.25Ltrs	3.25Ltrs

# Mechanical Specifications

## Additional Info:

Wash water temperature	55°C
Dish Washer rinse temperature	80°C
Noise level	Under 70dB



## Dimensions (mm):

630 (W) x 1890 - 1940 open / 1470 - closed (H) x 720 (D)

Please Note: All dimensions in mm

Contact:  
Telephone: +44 (0)844 225 9250  
Email: Sales@classeq.co.uk

Classeq House, Roebuck Way,  
Knowhill, Milton Keynes,  
Buckinghamshire MK5 8WH  
www.classeq.co.uk

**CLASSEQ**  
Warewashing Made Simple.