

**UNDERCOUNTER DISHWASHERS  
FX SERIES**

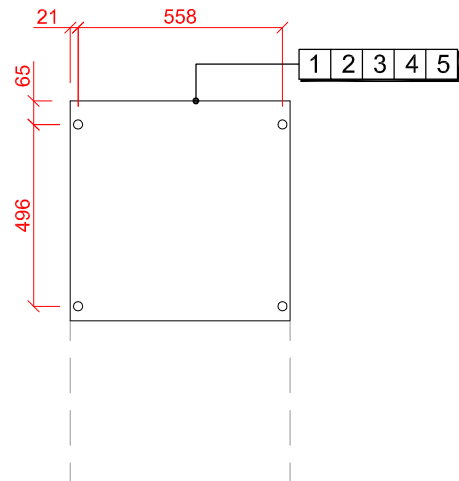
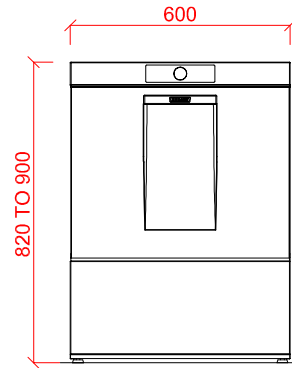
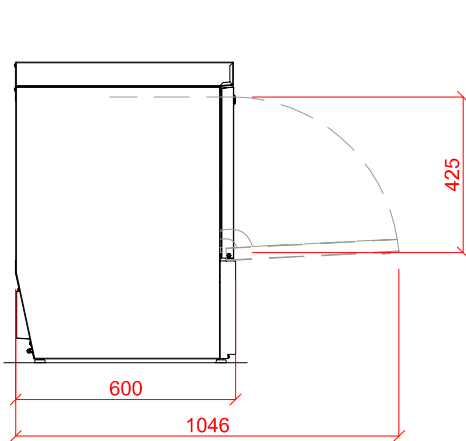


HOBART UK,  
SOUTHGATE WAY,  
ORTON SOUTHGATE,  
PETERBOROUGH.  
PE2 6GN  
08444 888 7777

www.hobartuk.com

**Undercounter Dishwasher**

**FX-10A**



<b>1</b>	<b>Water</b>
<p>22mm CONNECTION VIA 2 METRE FLEXIBLE HOSE, FEMALE TERMINATION.</p> <p>WATER SUPPLY 10 TO 60°C (2° TO 8° CLARK MAX) @ 0.6 TO 6.0 BAR MAX. INITIAL TANK FILL 10.8 LITRES.</p> <p>RINSE WATER USAGE 2.0 LITRES PER CYCLE. MAX USAGE 80 LITRES PER HOUR.</p> <p>OUR MACHINES ARE SUPPLIED WITH CLASS 'AA' AIR GAP AS STANDARD.</p>	

<b>2</b>	<b>Drain</b>
<p>DRAIN - 2 METRE FLEXIBLE HOSE TO A 40 mm TRAPPED STANDPIPE 800mm MAX A.F.F.L.</p> <p>FLOW RATE 30 LITRES PER MINUTE.</p>	
<b>4</b> <b>5</b>	<b>Other Services</b>
<p>RINSE AGENT HOSE - 2.5 METRE FLEXIBLE.</p> <p>DETERGENT HOSE - 2.5 METRE FLEXIBLE.</p>	

<b>3</b>	<b>Electric Loading</b>
<p>7.6kW 400/50/3 + N + E FUSED AT 16AMPS / PHASE. <b>CONFIGURABLE TO</b> 5.6kW 230/50/1 FUSED AT 25AMPS OR 2.8kW 230/50/1 FUSED AT 13AMPS MACHINE SUPPLIED WITH 2.0 METRES OF CABLE.</p>	
<b>Notes</b>	
<p>APPROX WEIGHTS: EMPTY: 65kg's WITH WATER: 87kg's</p>	

**PLOT SCALE: 1:20**

RIGHT TO MAKE NECESSARY CHANGES IS RESERVED