

imc

fresh thinking

Technical Information Food Waste Disposers



January 2007

Overview

Best practice dictates the removal of food waste quickly and completely from commercial kitchens, eliminating unpleasant odours and spillages, and the risk of contaminating fresh or cooked food. Food waste disposers are essential for the efficient and hygienic removal of preparation waste and table scraps.

IMC food waste disposers are safe and easy to use, and offer unique features and enhanced performance and reliability.

The range of installation options available from IMC ensures that the needs of every caterer can easily be met. For the range summary and appropriate food waste disposer please see the IMC product selector. All IMC food waste disposers can be fitted to a Mechline services box.

Electrical Connection

All electrical work must be carried out by a qualified electrician in accordance with the IEE Codes of Practice.

Product Conformity

IMC food waste disposers conform to the Machine Safety Directive 89/392/EEC as amended by 91/368/EEC and 93/44/EEC and are manufactured under quality system BSEN ISO 9001:2000. They also conform to the protection requirements of the Electro Magnetic Compatibility Directive 89/336/EEC and are manufactured in accordance with harmonised standards EN 50-014-1 Generic Emission and EN 50-014-2 Generic Immunity (plus product specific standards). They also satisfy the essential requirements of the Low Voltage Directive 73/23/EEC amended by 93/68/EEC.

All IMC food waste disposers are WRAS approved and manufactured in accordance with standards BSEN 60335-1 and BSEN 60335-2-16.

Marine Applications

A wide range of marine voltages are available. IMC food waste disposers meet the requirements of regulation 3(1)(c), 4(2) and 5(2)(c) of Annex V of MARPOL 73/78.

Warranty

IMC food waste disposers come with one year parts and labour warranty. (subject to usage and regular maintenance as laid down in the operation and installation manual).

Spare Parts

Spare parts are available for all major serviceable items. Please contact:

IMC service telephone: +44 (0)1978 667743

IMC spares telephone: +44 (0)1978 667764

Fax: +44 (0)1978 729990

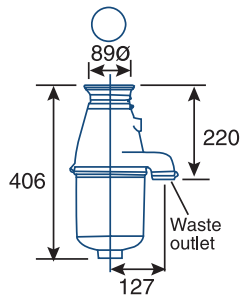
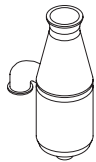
E-mail: parts@imco.co.uk

Product Selector

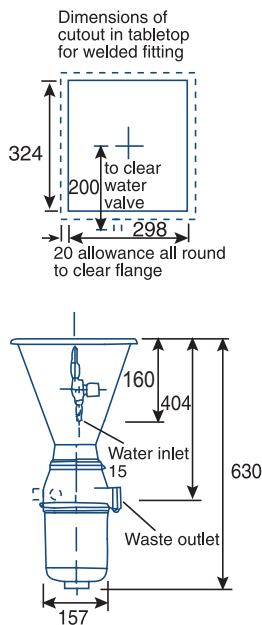
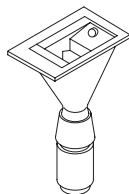
Use this simple guide to select the best IMC food waste disposer for your requirements.

Covers per sitting	200	400	400	400	850	850	1000	1000	1350	1350	1450	1450	1450	1850	1850
Waste per hour (Kg)	100	200	200	250	400	400	500	500	600	600	700	700	700	900	900
Soft Waste: (Plate waste, vegetables, peelings, meat and fish scraps.)	✓	✓	✓	✓	✓	✓	✓	✓	✓	✓	✓	✓	✓	✓	✓
Medium Waste: (Small pork and chicken bones, vegetables and fruit.)				✓	✓	✓	✓	✓	✓	✓	✓	✓	✓	✓	✓
Tough Waste: (All red meat bones, cauliflower stalks, fish skins.)									✓	✓	✓	✓	✓	✓	✓
Compatible with WastePro				✓	✓	✓	✓		✓	✓	✓	✓		✓	
Compatible with Troughs							✓	✓				✓	✓	✓	✓
Motor kW	0.55	0.55	0.55	1.1	1.1	1.1	1.1	1.1	2.2	2.2	2.2	2.2	2.2	4	4
Motor HP	3/4	3/4	3/4	1 1/2	1 1/2	1 1/2	1 1/2	1 1/2	3	3	3	3	3	5 1/2	5 1/2
Mounting	Under Sink	In Tabling	Free Standing	Under Sink	In Tabling	Free Standing	Free Standing or in Tabling	Free Standing or in Tabling	In Tabling	Free Standing	Free Standing	Free Standing or in Tabling	Free Standing or in Tabling	Free Standing or in Tabling	Free Standing or in Tabling
Model	523	525	526	723	725	726	904	904X	825	826	825DS	1204	1204X	1604	1604X
Refer to Page No	3	3	4	5	5	6	9/10	9/10	7	7	8	11/12	11/12	13/14	13/14

Please note: All capacities are approximate and may vary depending on the mix of waste types.
Rice and pasta must be mixed well with other food wastes.

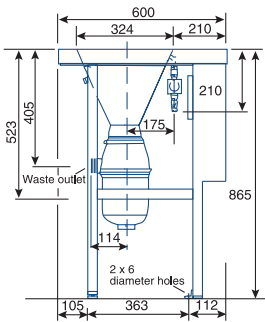
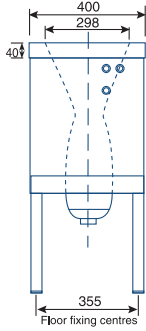
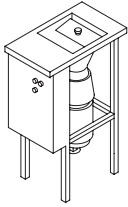
**523**

General	
Mounting	Sink outlet. Supplied with fitting for 89mm (3.5") sink opening.
Capacity	200 covers per sitting. 100kg of waste per hour.
Dimensions	h406mm. Fits 89mm (3.5") sink opening.
Cut out dimensions	-
Electrical information	
Motor	0.55 kW (3/4HP)
Voltages	230-1-50 400-3-50
Fuse rating	16A - 1 phase 6A - 3 phase
Operator controls	IP65 rated waterproof wall mounted control box. Motor on buttons (clockwise and anticlockwise) and off button.
Installation information	
Water connection	Sink tap.
Water consumption	11-14 litres per minute
Waste connection	40mm copper or plastic pipe to be installed with P or S trap laid to minimum fall of 1 in 7.
Electrical connection	2.5m of mains cable. Supplied from control box, to be wired into fused isolator switch.
Other features	
Water control	Manual with sink taps.
Operator safety	Rubber petals at sink opening.
Special features	Rubber housing to minimise noise. Automatic thermal overload to protect the motor. Manually reversible motor for extended operating life.
Customer options	
-	
Product code details	
F52/301	1 phase 523
F52/321	3 phase 523
Shipping specification	
Packing dimensions (h x w x d)	320mm x 220mm x 620mm
Packing volume	0.043m ³
Packing weight (gross/net)	19kg/18kg

**525**

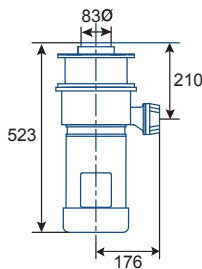
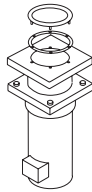
General	
Mounting	Weld into tabling.
Capacity	400 covers per sitting. 200kg of waste per hour.
Dimensions (h x w x d)	630mm x 330mm x 355mm
Cut out dimensions	-
Electrical information	
Motor	0.55 kW (3/4 HP)
Voltages	230-1-50 400-3-50
Fuse rating	16A - 1 phase 6A - 3 phase
Operator controls	IP65 rated waterproof wall mounted control box. Motor on buttons (clockwise and anticlockwise) and off button.
Installation information	
Water connection	15mm connection. Minimum pressure (head) of 0.4 bar (4m). Water to be taken from storage cistern and not from rising main to meet UK water regulations.
Water consumption	11-14 litres per minute.
Waste connection	42mm copper or plastic pipe to be installed with P or S trap laid to minimum fall of 1 in 7.
Electrical connection	2.5m of mains cable supplied from control box, to be wired into fused isolator switch.
Other features	
Water control	Solenoid valve for automatic water control.
Operator safety	Metal baffle and time delayed interlock system.
Special features	Rubber housing to minimise noise. Automatic thermal overload to protect the motor. Manually reversible motor for extended operating life.
Customer options	
-	
Product code details	
F52/500	1 phase 525
F52/520	3 phase 525
Shipping specification	
Packing dimensions (h x w x d)	770mm x 410mm x 510mm
Packing volume	0.161m ³
Packing weight (gross/net)	30kg/28kg

* All diagram dimensions are in mm

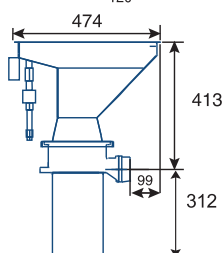
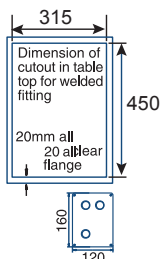
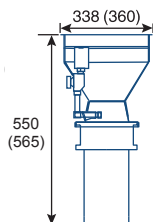
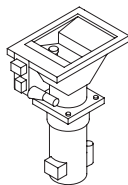


526	
General	
Mounting	Free standing with stainless steel front panel.
Capacity	400 covers per sitting. 200kg of waste per hour.
Dimensions (h x w x d)	865mm x 400mm x 600mm
Cut out dimensions	-
Electrical information	
Motor	0.55 kW (3/4HP)
Voltages	230-1-50
	400-3-50
Fuse rating	16A - 1 phase
	6A - 3 phase
Operator controls	IP65 rated waterproof integral controls.
	Motor on buttons (clockwise and anticlockwise) and off button.
Installation information	
Water connection	15mm connection. Minimum pressure (head) of 0.4 bar (4m). Water to be taken from storage cistern and not from rising main to meet UK water regulations.
Water consumption	11-14 litres per minute.
Waste connection	42mm copper or plastic pipe to be installed with P or S trap laid to minimum fall of 1 in 7.
Electrical connection	2.5m of mains cable supplied from control box, to be wired into fused isolator switch.
Other features	
Water control	Solenoid valve for automatic water control.
Operator safety	Metal baffle and time delayed interlock system.
Special features	Rubber housing to minimise noise.
	Automatic thermal overload to protect the motor.
	Manually reversible motor for extended operating life.
Customer options	
	Stainless steel side panels.
Product code details	
F52/602	1 phase 526
F52/622	3 phase 526
E35/056	Stainless steel side panel 526
Shipping specification	
Packing dimensions (h x w x d)	680mm x 580mm x 1020mm
Packing volume	0.402m ³
Packing weight (gross/net)	50kg/36kg

* All diagram dimensions are in mm

**723**

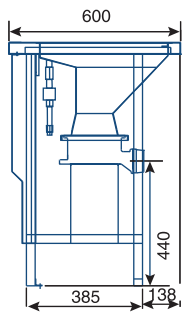
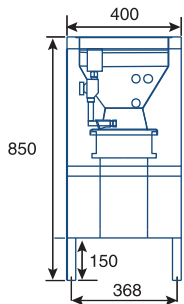
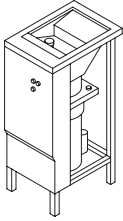
General	
Mounting	Sink outlet. Supplied with fitting to be welded into 86mm sink opening.
Capacity	400 covers per sitting. 200kg of waste per hour.
Dimensions	h530mm. Fits 83mm sink opening.
Cut out dimensions	-
Electrical information	
Motor	1.1kW (1½HP)
Voltages	230-1-50 400-3-50
Fuse rating	16A - 1 phase 6A - 3 phase
Operator controls	IP65 rated waterproof wall mounted control box. Motor on buttons (clockwise and anticlockwise) and off button.
Installation information	
Water connection	15mm connection. Minimum pressure (head) of 0.4 bar (4m). Water to be taken from storage cistern and not from rising main to meet UK water regulations.
Water consumption	14-18 litres per minute
Waste connection	2" BSP threaded flange for connection to 54mm piping, laid to minimum fall of 1 in 7.
Electrical connection	2.5m of mains cable supplied from control box, to be wired into fused isolator switch.
Other features	
Water control	Solenoid valve for automatic water control.
Operator safety	Metal baffle.
Special features	Automatic thermal overload to protect the motor. Manually reversible motor for extended operating life.
Customer options	
	-
Product code details	
F60/305	1 phase 723
F60/300	3 phase 723
Shipping specification	
Packing dimensions (h x w x d)	770mm x 410mm x 510mm
Packing volume	0.161m³
Packing weight (gross/net)	42kg/40kg

**725**

General	
Mounting	Weld into tabling.
Capacity	850 covers per sitting. 400kg of waste per hour.
Dimensions (h x w x d)	550mm x 338mm x 474mm - 1 phase 565mm x 338mm x 474mm - 3 phase
Cut out dimensions	315mm x 450mm
Electrical information	
Motor	1.1kW (1½HP)
Voltages	230-1-50 400-3-50
Fuse rating	16A - 1 phase 6A - 3 phase
Operator controls	IP65 rated waterproof wall mounted control box. Motor on buttons (clockwise and anticlockwise) and off button.
Installation information	
Water connection	15mm connection. Minimum pressure (head) of 0.4 bar (4m). If using mains water supply specify class A air break with special baffle.
Water consumption	14-18 litres per minute
Waste connection	2" BSP threaded flange for connection to 54mm piping, laid to minimum fall of 1 in 7.
Electrical connection	2.5m of mains cable supplied from control box, to be wired into fused isolator switch.
Other features	
Water control	Solenoid valve for automatic water control.
Operator safety	Metal baffle and time delayed interlock system.
Special features	Automatic thermal overload to protect the motor. Manually reversible motor for extended operating life.
Customer options	
	Class A airbreak. Magnetic cutlery saver.
Product code details	
F60/100	1 phase 725
F60/121	3 phase 725
S99/047**	Class A airbreak
**	Magnetic cutlery saver
Shipping specification	
Packing dimensions (h x w x d)	640mm x 500mm x 880mm
Packing volume	0.161m³
Packing weight (gross/net)	49kg/42kg

** This option must be ordered with the machine.

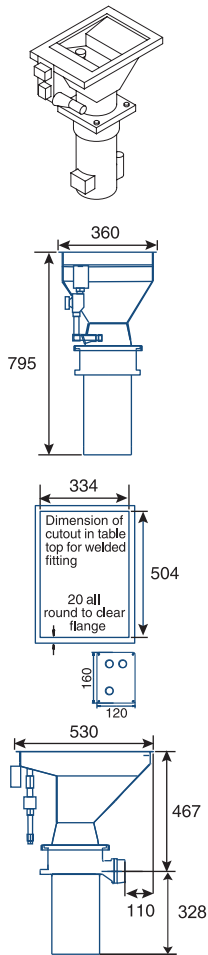
* All diagram dimensions are in mm



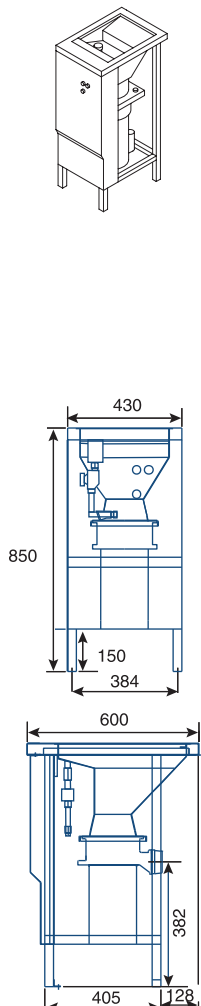
726	
General	
Mounting	Free standing.
Capacity	850 covers per sitting. 400kg of waste per hour.
Dimensions (h x w x d)	850mm x 400mm x 600mm
Cut out dimensions	-
Electrical information	
Motor	1.1kW (1 1/2HP)
Voltages	230-1-50 400-3-50
Fuse rating	16A - 1 phase 6A - 3 phase
Operator controls	IP65 rated waterproof wall mounted control box. Motor on buttons (clockwise and anticlockwise) and off button.
Installation information	
Water connection	15mm connection. Minimum pressure (head) of 0.4 bar (4m). If using mains water supply specify class A air break with special baffle.
Water consumption	14-18 litres per minute
Waste connection	2" BSP threaded flange for connection to 54mm piping, laid to minimum fall of 1 in 7.
Electrical connection	2.5 of mains cable supplied from control box, to be wired into fuse isolator switch.
Other features	
Water control	Solenoid valve for automatic water control.
Operator safety	Metal baffle and time delayed interlock system.
Special features	Automatic thermal overload to protect the motor. Manually reversible motor for extended operating life.
Customer options	
	Stainless steel side panels.
	Class A airbreak.
	Magnetic cutlery saver.
Product code details	
F60/200	1 phase 726
F60/221	3 phase 726
E60/010	Stainless steel side panel 726
S99/047**	Class A airbreak
	** Magnetic cutlery saver
Shipping specification	
Packing dimensions (h x w x d)	690mm x 580mm x 1000mm
Packing volume	0.292m ³
Packing weight (gross/net)	63kg/48kg

** This option must be ordered with the machine.

* All diagram dimensions are in mm



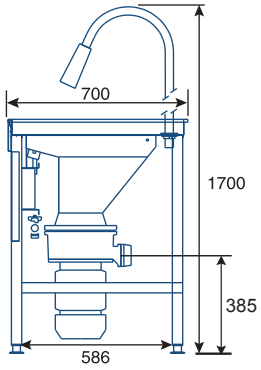
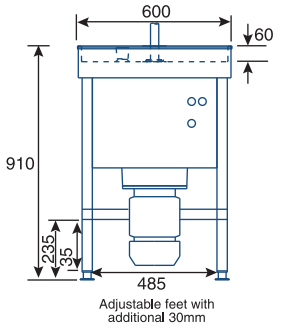
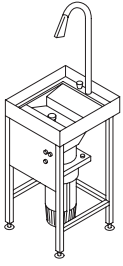
825	
General	
Mounting	Weld into tabling.
Capacity	1350 covers per sitting. 600kg of waste per hour.
Dimensions (h x w x d)	795mm x 360mm x 530mm
Cut out dimensions	334mm x 504mm
Electrical information	
Motor	2.2kW (3HP)
Voltages	400-3-50
Fuse rating	10A - 3 phase
Operator controls	IP65 rated waterproof wall mounted control box.
	Motor on buttons (clockwise and anticlockwise) and off button.
Installation information	
Water connection	15mm connection. Minimum pressure (head) of 0.4 bar (4m). If using mains water supply specify class A air break with special baffle.
Water consumption	18-27 litres per minute
Waste connection	2" BSP threaded flange for connection to 54mm piping, laid to minimum fall of 1 in 7.
Electrical connection	2.5m mains cable wired from fused isolator switch into controller.
Other features	
Water control	Solenoid valve for automatic water control.
Operator safety	Metal baffle and time delayed interlock system.
Special features	Automatic thermal overload to protect the motor.
	Manually reversible motor for extended operating life.
Customer options	
	Class A airbreak.
	Magnetic cutlery saver.
Product code details	
F68/121	3 phase 4 wire 825
F68/120	3 phase 5 wire 825
S99/047**	Class A airbreak
	** Magnetic cutlery saver
Shipping specification	
Packing dimensions (h x w x d)	640mm x 500mm x 980mm
Packing volume	0.265m ³
Packing weight (gross/net)	62kg/56kg



826	
General	
Mounting	Free standing.
Capacity	1350 covers per sitting. 600kg of waste per hour.
Dimensions (h x w x d)	850mm x 430mm x 600mm
Electrical information	
Motor	2.2kW (3HP)
Voltages	400-3-50
Fuse rating	10A - 3 phase
Operator controls	IP65 rated waterproof wall mounted control box.
	Motor on buttons (clockwise and anticlockwise) and off button.
Installation information	
Water connection	15mm connection. Minimum pressure (head) of 0.4 bar (4m). If using mains water supply specify class A air break with special baffle.
Water consumption	18-27 litres per minute
Waste connection	2" BSP threaded flange for connection to 54mm piping, laid to minimum fall of 1 in 7.
Electrical connection	2.5m mains cable wired into integral controller.
Other features	
Water control	Solenoid valve for automatic water control.
Operator safety	Metal baffle and time delayed interlock system.
Special features	Automatic thermal overload to protect the motor.
	Manually reversible motor for extended operating life.
Customer options	
	Remote control box.
	Stainless steel side panels.
	Class A airbreak.
	Magnetic cutlery saver.
Product code details	
F68/221	3 phase 4 wire 826
F68/220	3 phase 5 wire 826
E68/013	Stainless steel side panel 826
S99/047**	Class A airbreak
	** Remote control Box
	** Magnetic Cutlery Saver
Shipping specification	
Packing dimensions (h x w x d)	620mm x 480mm x 980mm
Packing volume	0.292m ³
Packing weight (gross/net)	73kg/63kg

** This option must be ordered with the machine.

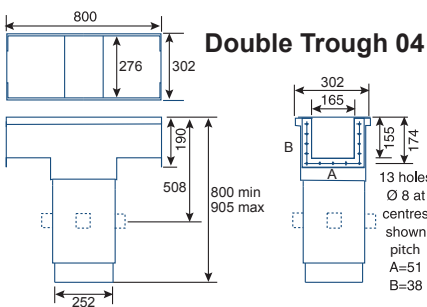
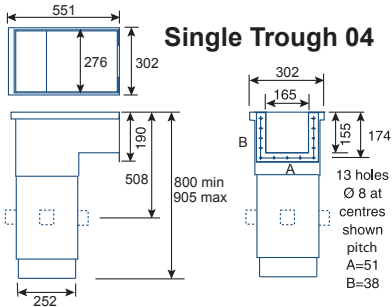
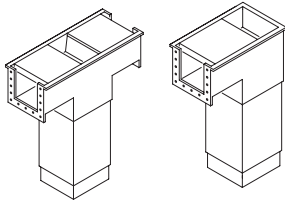
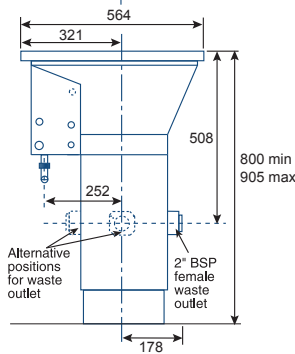
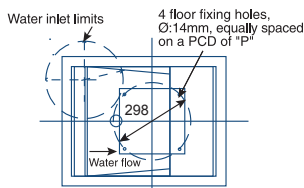
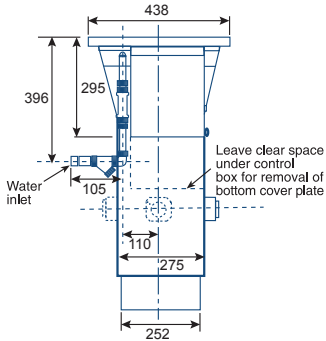
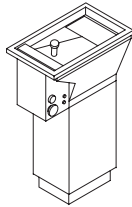
* All diagram dimensions are in mm



825DS	
General	
Mounting	Free standing.
Capacity	1450 covers per sitting. 700kg of waste per hour.
Dimensions (h x w x d)	1700mm x 600mm x 700mm
Electrical information	
Motor	2.2kW (3HP)
Voltages	400-3-50
Fuse rating	10A - 3 phase
Operator controls	IP65 rated waterproof wall mounted control box.
	Motor on buttons (clockwise and anticlockwise) and off button.
Installation information	
Water connection	15mm connection. Minimum pressure (head) of 0.4 bar (4m). If using mains water supply specify class A air break with special baffle.
Water consumption	18-27 litres per minute
Waste connection	2" BSP threaded flange for connection to 54mm piping, laid to minimum fall of 1 in 7.
Electrical connection	2.5m mains cable wired into integral controller.
Other features	
Water control	Solenoid valve for automatic water control.
Operator safety	Metal baffle and time delayed interlock system.
Special features	Retractable pre-rinse spray for dishes and cleaning.
	Large self contained tabling with high edges for better waste containment and throughput.
	Automatic thermal overload to protect the motor.
	Manually reversible motor for extended life.
Customer options	
	Remote control box.
	Stainless steel side panels.
	Class A airbreak.
	Magnetic cutlery saver.
Product code details	
F68/321	3 phase 4 wire 825DS
F68/320	3 phase 5 wire 825DS
E68/014	Stainless steel side panel 826
S99/047**	Class A airbreak
**	Remote control box
**	Magnetic cutlery saver
Shipping specification	
Packing dimensions (h x w x d)	810mm x 650mm x 980mm
Packing volume	0.516m ³
Packing weight (gross/net)	75kg/65kg

** This option must be ordered with the machine.

* All diagram dimensions are in mm



904

General	
Mounting	Free standing, welded into tabling or sealed into hopper rim welded into tabling.
Capacity	1000 covers per sitting. 500kg of waste per hour.
Dimensions (h x w x d)	800-905mm x 438mm x 564mm
Cut out dimensions - Unit	510mm x 385mm
Cut out dimensions - Rim	494mm x 368mm
Electrical information	
Motor	1.1kW (1½HP).
Voltages	230-1-50
	400-3-50
	440-3-60
Fuse rating	16A - 1 phase
	6A - 3 phase
Operator controls	IP65 rated integral on/off control buttons.
Installation information	
Water connection	15mm connection. Minimum pressure (head) of 0.18 bar (1.8m). If using mains water supply specify class A air break with special baffle.
Water consumption	14-18 litres per minute
Waste connection	2" BSP threaded flange for connection to 54mm piping, laid to minimum fall of 1 in 7.
Electrical connection	2.5m mains cable wired into integral controller.
Other features	
Water control	Solenoid valve for automatic water control.
Operator safety	Metal baffle and time delayed interlock system.
Special features	Automatic thermal overload to protect the motor.
	Automatically reversible motor for extended operating life.
	Adjustable machine height.
Customer options	
	Class A airbreak.
	Magnetic cutlery saver.
	Cutlery/Silver saver baffle supplied in place of standard baffle at no extra cost.
	Hopper rim for sitting in tabling for ease of service.
	Remote control box.
Product code details	
F54/100	1 phase 904
F54/120	3 phase 904
E30/095	Hopper rim to weld into tabling
S54/026	Remote control box
S99/047**	Class A airbreak
**	Magnetic cutlery saver
**	Cutlery/Silver saver baffle

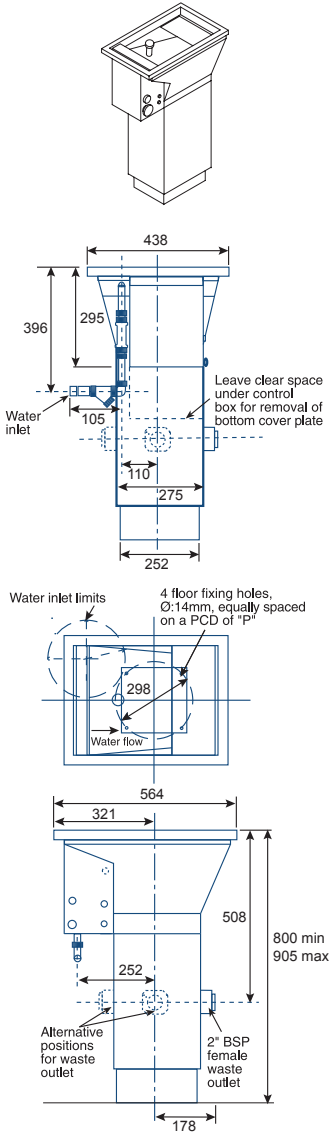
Shipping specification	
Packing dimensions (h x w x d)	640mm x 500mm x 950mm
Packing volume	0.304m ³
Packing weight (gross/net)	71kg/60kg

904 Trough Variations

A single trough unit is connected at the end of a scrapping trough for lengths upto 3m. For lengths between 3m and 6m a double trough unit is required in a central position.

General	
Mounting	Connect to scrapping trough.
Dimensions (h x w x d) Single	800-905mm x 551mm x 302mm
Dimensions (h x w x d) Double	800-905mm x 800mm x 302mm
Electrical information	
Operator controls	IP65 rated waterproof wall mounted control box.
	Motor on buttons (clockwise and anticlockwise) and off button.
Other features	
Special features	Manually reversible motor for extended life as standard.
	Automatic thermal overload to protect the motor.
	Adjustable machine height.
Customer options	
	Magnetic cutlery saver (double troughs require two)
Product code details	
F54/101	Single trough 904 1 phase
F54/121	Single trough 904 3 phase
F54/102	Double trough 904 1 phase
F54/122	Double trough 904 3 phase
**	Magnetic cutlery saver (double trough requires two)
Shipping specification	
Packing dimensions - single	690mm x 580mm x 1000mm
Packing volume - single	0.400m ³
Packing weight (gross/net) - single	72kg/59kg
Packing dimensions - double	800mm x 550mm x 1000mm
Packing volume - double	0.440m ³
Packing weight (gross/net) - double	75kg/59kg

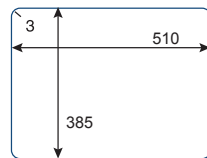
** This option must be ordered with the machine.
* All diagram dimensions are in mm



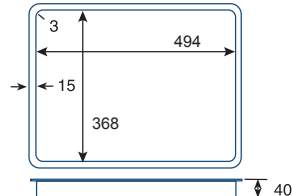
904X	
General	
Mounting	Free standing, welded into tabling or sealed into hopper rim welded into tabling.
Capacity	1000 covers per sitting. 500kg of waste per hour.
Dimensions (h x w x d)	800-905mm x 438mm x 564mm
Cut out dimensions - Unit	510mm x 385mm
Cut out dimensions - Rim	494mm x 368mm
Electrical information	
Motor	1.1kW (1 1/2HP).
Voltages	230-1-50 400-3-50 440-3-60
Fuse rating	16A - 1 phase 6A - 3 phase
Operator controls	IP65 rated integral on/off control buttons.
Installation information	
Water connection	15mm connection. Minimum pressure (head) of 0.18 bar (1.8m). If using mains water supply specify class A air break with special baffle.
Water consumption	14-18 litres per minute
Waste connection	2" BSP threaded flange for connection to 54mm piping, laid to minimum fall of 1 in 7.
Electrical connection	2.5m mains cable wired into integral controller.
Other features	
Water control	Solenoid valve for automatic water control.
Operator safety	Metal baffle and time delayed interlock system.
Special features	Automatic electronic overload to protect the motor. Automatically reversible motor for extended operating life. Machine status indicator and alarm. Motor seal failure indicator, alarm and immobilizer. Low-load cut-out for energy and water efficiency. Automatic self-cleaning system. Adjustable machine height.
Customer options	
	Class A airbreak.
	Magnetic cutlery saver.
	Cutlery/Silver saver baffle supplied in place of standard baffle at no extra cost.
	Hopper rim for sitting in tabling for ease of service.
	Remote control box.
Product code details	
F54/500	1 phase 904X
F54/521	3 phase 4 wire 904X
F54/520	3 phase 5 wire 904X
E30/095	Hopper rim to weld into tabling 904X
S54/026	Remote control box
S99/047**	Class A airbreak
**	Magnetic cutlery saver
**	Cutlery/Silver saver baffle
Shipping specification	
Packing dimensions (h x w x d)	640mm x 500mm x 950mm
Packing volume	0.304m ³
Packing weight (gross/net)	71kg/60kg

** This option must be ordered with the machine.
* All diagram dimensions are in mm

Dimensions of cut-out in tabling

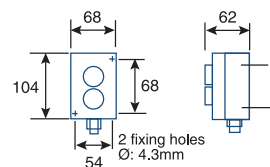


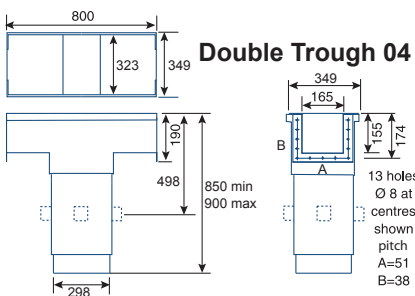
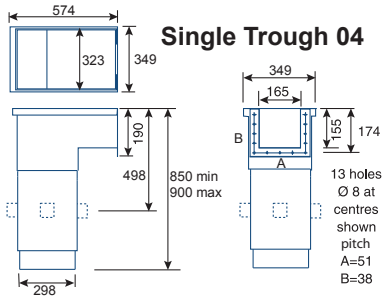
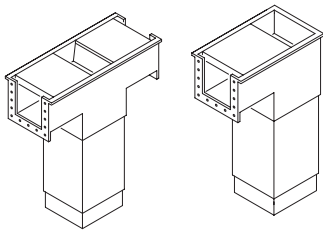
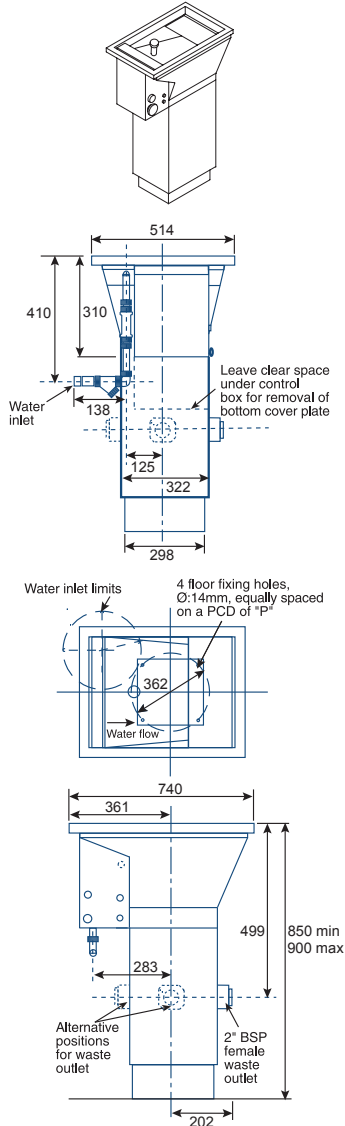
Dimensions of hopper rim



The waste disposer hopper can be welded directly to the cut-out in the tabling, or sealed to a special hopper rim which is itself welded to the cut-out.

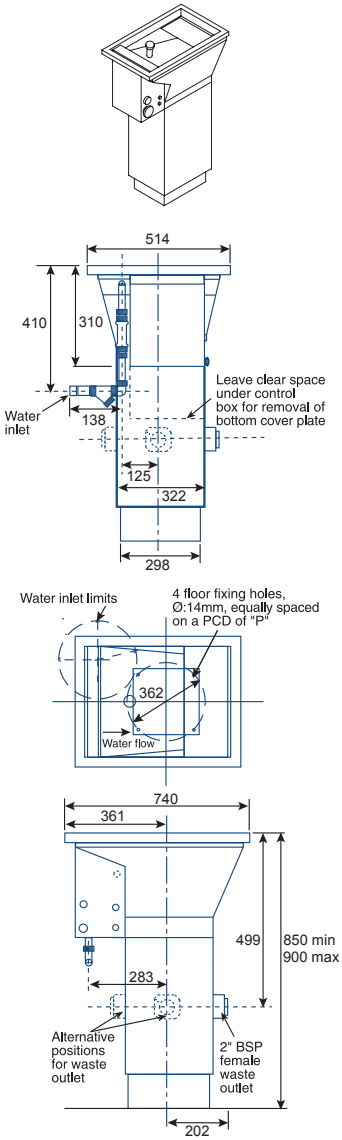
Optional remote button box





1204	
General	
Mounting	Free standing, welded into tabling or sealed into hopper rim welded into tabling.
Capacity	1450 covers per sitting. 700kg of waste per hour.
Dimensions (h x w x d)	850-900mm x 514mm x 740mm
Cut out dimensions - Unit	685mm x 460mm
Cut out dimensions - Rim	672mm x 444mm
Electrical information	
Motor	2.2kW (3HP)
Voltages	400-3-50 440-3-60
Fuse rating	10A - 3 phase
Operator controls	IP65 rated integral on/off control buttons.
Installation information	
Water connection	22mm connection. Minimum pressure (head) of 0.18 bar (1.8m). If using mains water supply specify class A air break with special baffle.
Water consumption	18-27 litres per minute.
Waste connection	2" BSP threaded flange for connection to 54mm piping, laid to minimum fall of 1 in 7.
Electrical connection	2.5m mains cable wired into integral controller.
Other features	
Water control	Solenoid valve for automatic water control.
Operator safety	Metal baffle and time delayed interlock system.
Special features	Automatic thermal overload to protect the motor. Automatically reversible motor for extended operating life. Adjustable machine height.
Customer options	
	Class A airbreak.
	Magnetic cutlery saver.
	Cutlery/Silver saver baffle supplied in place of standard baffle at no extra cost.
	Hopper rim for sitting in tabling for ease of service.
	Remote control box.
Product code details	
F54/220	3 phase 1204
E30/096	Hopper rim for welding into table 1204
S54/026	Remote control box
S99/047**	Class A airbreak
**	Magnetic cutlery saver
**	Cutlery/Silver saver baffle
Shipping specification	
Packing dimensions	800mm x 550mm x 1000mm
Packing volume	0.440m ³
Packing weight (gross/net)	97kg/81kg
1204 Trough Variations	
A single trough unit is connected at the end of a scrapper trough for lengths upto 3m. For lengths between 3m and 6m a double trough unit is required in a central position.	
General	
Mounting	Connect to scrapper trough.
Dimensions (h x w x d) single	850-900mm x 574mm x 349mm
Dimensions (h x w x d) double	850-900mm x 800mm x 349mm
Electrical information	
Operator controls	IP65 rated waterproof wall mounted control box. Motor on buttons (clockwise and anticlockwise) and off button.
Other features	
Special features	Manually reversible motor for extended operating life. Automatic thermal overload to protect the motor. Adjustable machine height.
Customer options	
	Magnetic cutlery saver. (double troughs require two)
Product code details	
F54/221	Single trough 1204 3 phase
F54/222	Double trough 1204 3 phase
**	Magnetic cutlery saver (double trough requires two)
Shipping specification	
Packing dimensions - single	690mm x 580mm x 1000mm
Packing volume - single	0.400m ³
Packing weight (gross/net) - single	91kg/73kg
Packing dimensions - double	800mm x 550mm x 1000mm
Packing volume - double	0.440m ³
Packing weight (gross/net) - double	92kg/76kg

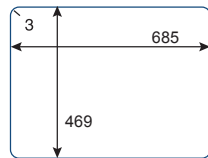
** This option must be ordered with the machine.
* All diagram dimensions are in mm



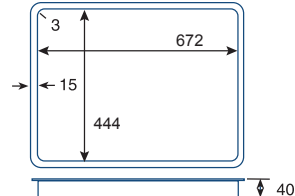
1204X	
General	
Mounting	Free standing, welded into tabling or sealed into hopper rim welded into tabling.
Capacity	1450 covers per sitting. 700kg of waste per hour.
Dimensions (h x w x d)	850-900mm x 514mm x 740mm
Cut out dimensions - Unit	685mm x 460mm
Cut out dimensions - Rim	672mm x 444mm
Electrical information	
Motor	2.2kW (3HP).
Voltages	400-3-50 440-3-60
Fuse rating	10A - 3 phase
Operator controls	IP65 rated integral on/off control buttons.
Installation information	
Water connection	22mm connection. Minimum pressure (head) of 0.18 bar (1.8m). If using mains water supply specify class A air break with special baffle.
Water consumption	18-27 litres per minute.
Waste connection	2" BSP threaded flange for connection to 54mm piping, laid to minimum fall of 1 in 7.
Electrical connection	2.5m mains cable wired into integral controller.
Other features	
Water control	Solenoid valve for automatic water control.
Operator safety	Metal baffle and time delayed interlock system.
Special features	Automatic electronic overload to protect the motor. Automatically reversible motor for extended operating life. Machine status indicator and alarm. Motor seal failure indicator, alarm and immobilizer. Low-load cut-out for energy and water efficiency. Automatic self-cleaning system. Adjustable machine height.
Customer options	
	Class A airbreak.
	Magnetic cutlery saver.
	Cutlery/Silver saver baffle supplied in place of standard baffle at no extra cost.
	Hopper rim for sitting in tabling for ease of service.
	Remote control box.
Product code details	
F54/621	3 phase 4 wire 1204X
F54/620	3 phase 5 wire 1204X
E30/096	Hopper rim for welding into tabling 1204X
S54/026	Remote control box.
S99/047**	Class A airbreak
**	Magnetic cutlery saver
**	Cutlery/Silver saver baffle
Shipping specification	
Packing dimensions (h x w x d)	800mm x 550mm x 1000mm
Packing volume	0.440m ³
Packing weight (gross/net)	97kg/81 kg

** This option must be ordered with the machine.
* All diagram dimensions are in mm

Dimensions of cut-out in tabling

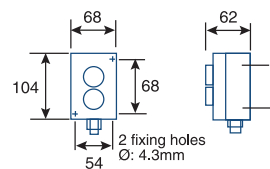


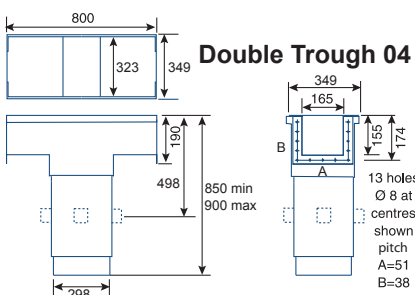
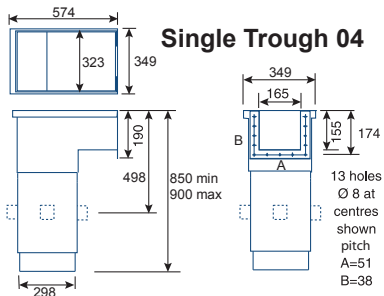
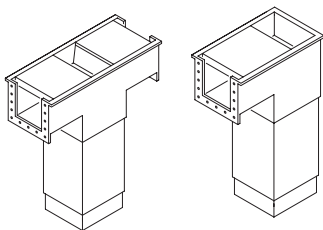
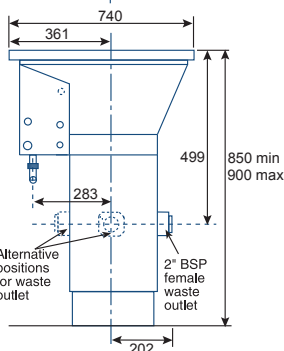
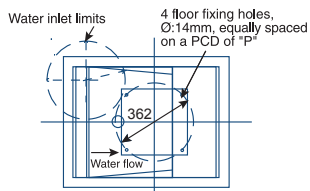
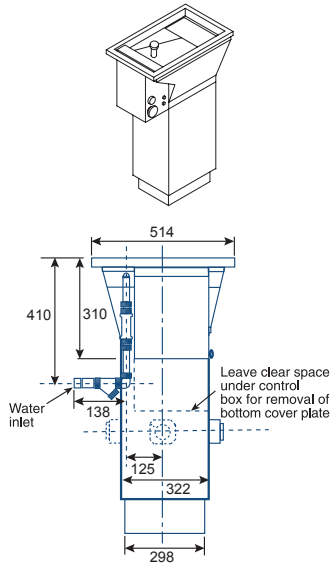
Dimensions of hopper rim



The waste disposer hopper can be welded directly to the cut-out in the tabling, or sealed to a special hopper rim which is itself welded to the cut-out.

Optional remote button box





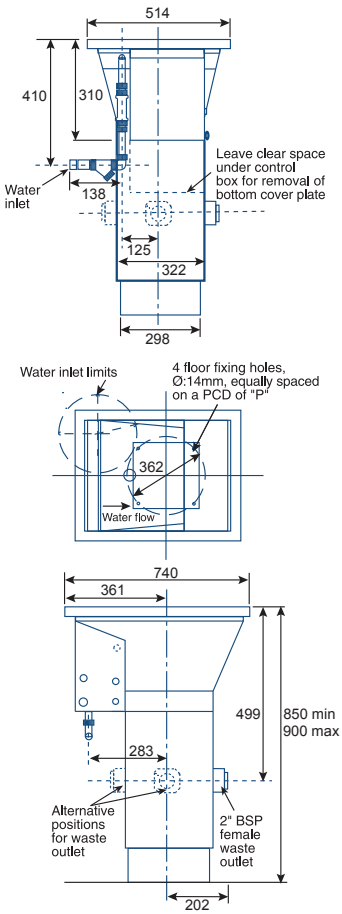
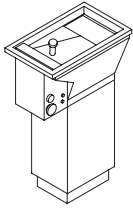
1604	
General	
Mounting	Free standing, welded into tabling or sealed into hopper rim welded into tabling.
Capacity	1850 covers per sitting. 900kg of waste per hour.
Dimensions (h x w x d)	850-900mm x 514mm x 740mm
Cut out dimensions - Unit	685mm x 460mm
Cut out dimensions - Rim	672mm x 444mm
Electrical information	
Motor	4.0kW (5½HP)
Voltages	400-3-50 440-3-60
Fuse rating	16A - 3 phase
Operator controls	IP65 rated integral on/off control buttons.
Installation information	
Water connection	22mm connection. Minimum pressure (head) of 0.18 bar (1.8m). If using mains water supply specify class A air break with special baffle.
Water consumption	27-36 litres per minute.
Waste connection	2" BSP threaded flange for connection to 54mm piping, laid to minimum fall of 1 in 7.
Electrical Connection	2.5m mains cable wired into integral controller.
Other features	
Water control	Solenoid valve for automatic water control.
Operator safety	Metal baffle and time delayed interlock system.
Special features	Automatic thermal overload to protect the motor. Automatically reversible motor for extended operating life. Adjustable machine height.
Customer options	
	Class A airbreak.
	Magnetic cutlery saver.
	Cutlery/Silver saver baffle supplied in place of standard baffle at no extra cost.
	Hopper rim for sitting in tabling for ease of service.
	Remote control box.
Product code details	
F54/320	3 phase 1604
E30/096	Hopper rim for welding into tabling 1604
S54/026	Remote control box.
S99/047**	Class A airbreak
**	Magnetic cutlery saver
**	Cutlery/Silver saver baffle
Shipping specification	
Packing dimensions (h x w x d)	800mm x 550mm x 1000mm
Packing volume	0.440m³
Packing weight (gross/net)	100kg/84kg

1604 Trough Variations

A single trough unit is connected at the end of a scrapping trough for lengths upto 3m. For lengths between 3m and 6m a double trough unit is required in a central position.

General	
Mounting	Connect to scrapping trough.
Dimensions (h x w x d) single	850-900mm x 574mm x 349mm
Dimensions (h x w x d) double	850-900mm x 800mm x 349mm
Electrical information	
Operator controls	IP65 rated waterproof wall mounted control box.
	Motor on buttons (clockwise and anticlockwise) and off button.
Other features	
Special features	Manually reversible motor for extended operating life. Automatic thermal overload to protect the motor. Adjustable machine height.
Customer options	
	Magnetic cutlery saver (double troughs require two)
Product code details	
F54/321	Single trough 1604 3 phase
F54/322	Double trough 1604 3 phase
**	Magnetic cutlery saver (double troughs require two)
Shipping specification	
Packing dimensions - single	690mm x 580mm x 1000mm
Packing volume - single	0.400m³
Packing weight (gross/net) - single	97kg/90kg
Packing dimensions - double	810mm x 530mm x 1000mm
Packing volume - double	0.440m³
Packing weight (gross/net) - double	97kg/90kg

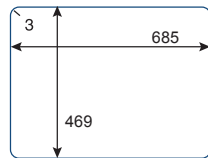
** This option must be ordered with the machine.
* All diagram dimensions are in mm



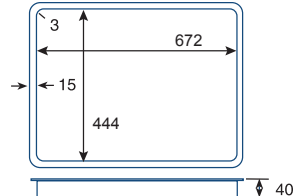
1604X	
General	
Mounting	Free standing, welded into tabling or sealed into hopper rim welded into tabling.
Capacity	1850 covers per sitting. 900kg of waste per hour.
Dimensions (h x w x d)	850-900mm x 514mm x 740mm
Cut out dimensions - Unit	685mm x 460mm
Cut out dimensions - Rim	672mm x 444mm
Electrical information	
Motor	4.0kW (5½HP)
Voltages	400-3-50 440-3-60
Fuse rating	16A - 3 phase
Operator controls	IP65 rated integral on/off control buttons.
Installation information	
Water connection	22mm connection. Minimum pressure (head) of 0.18 bar (1.8m). If using mains water supply specify class A air break with special baffle.
Water consumption	27-36 litres per minute.
Waste connection	2" BSP threaded flange for connection to 54mm piping, laid to minimum fall of 1 in 7.
Electrical connection	2.5m mains cable wired into integral controller.
Other features	
Water control	Solenoid valve for automatic water control.
Operator safety	Metal baffle and time delayed interlock system.
Special features	Automatic electronic overload to protect the motor. Automatically reversible motor for extended operating life. Machine status indicator and alarm. Motor seal failure indicator, alarm and immobilizer. Low-load cut-out for energy and water efficiency. Automatic self-cleaning system. Adjustable machine height.
Customer options	
	Class A airbreak.
	Magnetic cutlery saver.
	Cutlery/Silver saver baffle supplied in place of standard baffle at no extra cost.
	Hopper rim for sitting in tabling for ease of service.
	Remote control box.
Product code details	
F54/721	3 phase 4 wire 1604X
F54/720	3 phase 5 wire 1604X
E30/096	Hopper rim for welding into tabling
S54/026	Remote control box
S99/047**	Class A airbreak
**	Magnetic cutlery saver
**	Cutlery/Silver saver baffle
Shipping specification	
Packing dimensions (h x w x d)	800mm x 550mm x 1000mm
Packing volume	0.440m³
Packing weight (gross/net)	100kg/84kg

** This option must be ordered with the machine.
* All diagram dimensions are in mm

Dimensions of cut-out in tabling

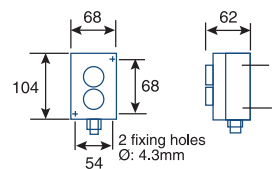


Dimensions of hopper rim



The waste disposer hopper can be welded directly to the cut-out in the tabling, or sealed to a special hopper rim which is itself welded to the cut-out.

Optional remote button box





Imperial Machine Company Ltd
Unit 1 Abbey Road
Wrexham Industrial Estate
Wrexham
LL13 9RF
United Kingdom

Tel: +44 (0)1978 661155
Fax: +44 (0)1978 729990
Email: fwd@imco.co.uk
www.imc-fwd.co.uk

Specifications are subject to change without notice.

4CM/FWDT/0107