

CHIEFTAIN GP OVEN

G1016X



DESCRIPTION

General purpose gas, 2/1 gastronorm compatible oven with worktop hob for preparation. Constructed of stainless steel, the unit is supplied on legs as standard. A castor option is available.

Single, reinforced drop-down door. Oven has enamelled base plate, drip trays and 2 grid shelves - all easily removed for cleaning. 2 shelf cooking with 4 positions.

Oven is easy to light by spark igniter and the unit does not require any electrical supply.

FEATURES and BENEFITS

- All stainless steel finish (*interior and exterior*)
- *easy to clean*
- Precision oven temperature control
- *provided by direct acting thermostat*
- 900mm x 900mm worktop hob
- *ideal for preparation while cooking*
- Heavy duty drop-down door
- *A perfect surface to rest trays just removed from oven*

OPTIONAL ACCESSORIES

- Pot rack (*900mm wide*)
- Pot rack (*1800mm wide*)
- Factory fitted castors

VENTILATION

Adequate ventilation, whether natural or mechanical, must be provided to supply sufficient fresh air for combustion and to allow easy removal of such products that may present risk to health. Recommendations for ventilation of appliances are given in BS5440:2 and HVCA specification DW/172. For multiple installations, requirements for individual appliances should be added together. Installation of any such system must be completed in accordance with local and/or national regulations that apply at time of commissioning

SITING

Unit must be installed on a firm level, non-combustible floor in a well lit position.

A minimum clearance of 150mm all around from any combustible wall is required. 150mm is also required from any non-combustible side wall to allow removal of panels. A minimum vertical clearance of 1220mm should be observed above top edge of flue.

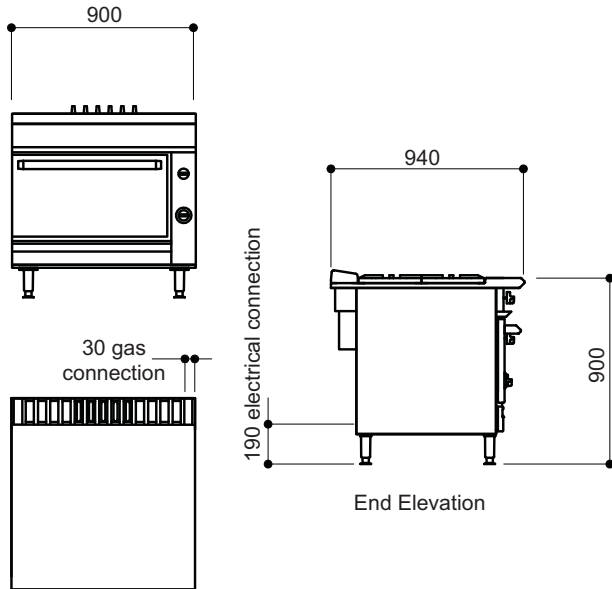




CHIEFTAIN GP OVEN

G1016X

MODEL DIMENSIONS (in mm)



SPECIFICATION DETAILS

* ratings are gross values

G1016X

Oven rating * (kW - btu/hr)	11 / 38,000
Total rating * - Nat. (kW - btu/hr)	11 / 38,000
Total rating * - Prop. (kW - btu/hr)	11 / 38,000
Inlet pressure - Nat. (mbar)	20
Inlet pressure - Prop. (mbar)	37
Flow rate - Nat. (m ³ /hr)	1.06
Flow rate - Prop. (kg/hr)	0.78
Operating pressure - Nat. (mbar)	15
Operating pressure - Prop. (mbar)	37
Gas inlet (Natural gas)	3/4" BSP
Gas inlet (Propane gas)	3/4" BSP
Weight (kg)	177
Packed weight (kg)	183
Height on castors (mm)	925

