

**UNDERCOUNTER DISHWASHERS
FX SERIES**

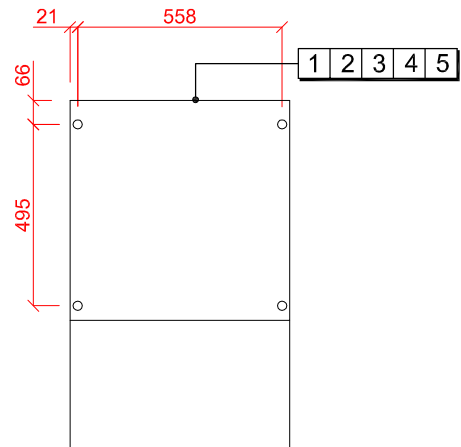
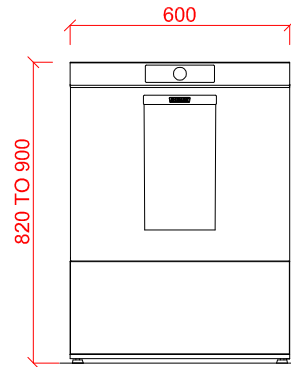
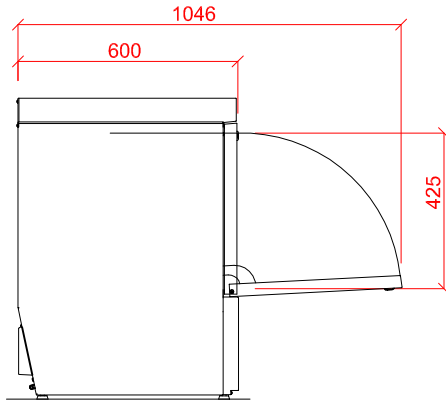


HOBART UK,
SOUTHGATE WAY,
ORTON SOUTHGATE,
PETERBOROUGH.
PE2 6GN
08444 888 7777

www.hobartuk.com

Undercounter Dishwasher with Inbuilt Softener

FXS-10A



1	Water
<p>22mm CONNECTION VIA 2 METRE FLEXIBLE HOSE, FEMALE TERMINATION.</p> <p>WATER SUPPLY 10 TO 60°C (2° TO 8° CLARK MAX) @ 0.6 TO 6.0 BAR MAX. INITIAL TANK FILL 10.8 LITRES.</p> <p>RINSE WATER USAGE 2.0 LITRES PER CYCLE. MAX USAGE 80 LITRES PER HOUR.</p> <p>OUR MACHINES ARE SUPPLIED WITH CLASS 'AA' AIR GAP AS STANDARD.</p>	

2	Drain
<p>DRAIN - 2 METRE FLEXIBLE HOSE TO A 40 mm TRAPPED STANDPIPE 800mm MAX A.F.F.L.</p> <p>FLOW RATE 30 LITRES PER MINUTE.</p>	
4 5	Other Services
<p>RINSE AGENT HOSE - 2.5 METRE FLEXIBLE.</p> <p>DETERGENT HOSE - 2.5 METRE FLEXIBLE.</p>	

3	Electric Loading
<p>7.6kW 400/50/3 + N + E FUSED AT 16AMPS / PHASE. CONFIGURABLE TO 5.6kW 230/50/1 FUSED AT 25AMPS OR 2.8kW 230/50/1 FUSED AT 13AMPS MACHINE SUPPLIED WITH 2.0 METRES OF CABLE.</p>	
Notes	
<p>APPROX WEIGHTS: EMPTY: 65kg's WITH WATER: 87kg's</p>	

PLOT SCALE: 1:20

RIGHT TO MAKE NECESSARY CHANGES IS RESERVED