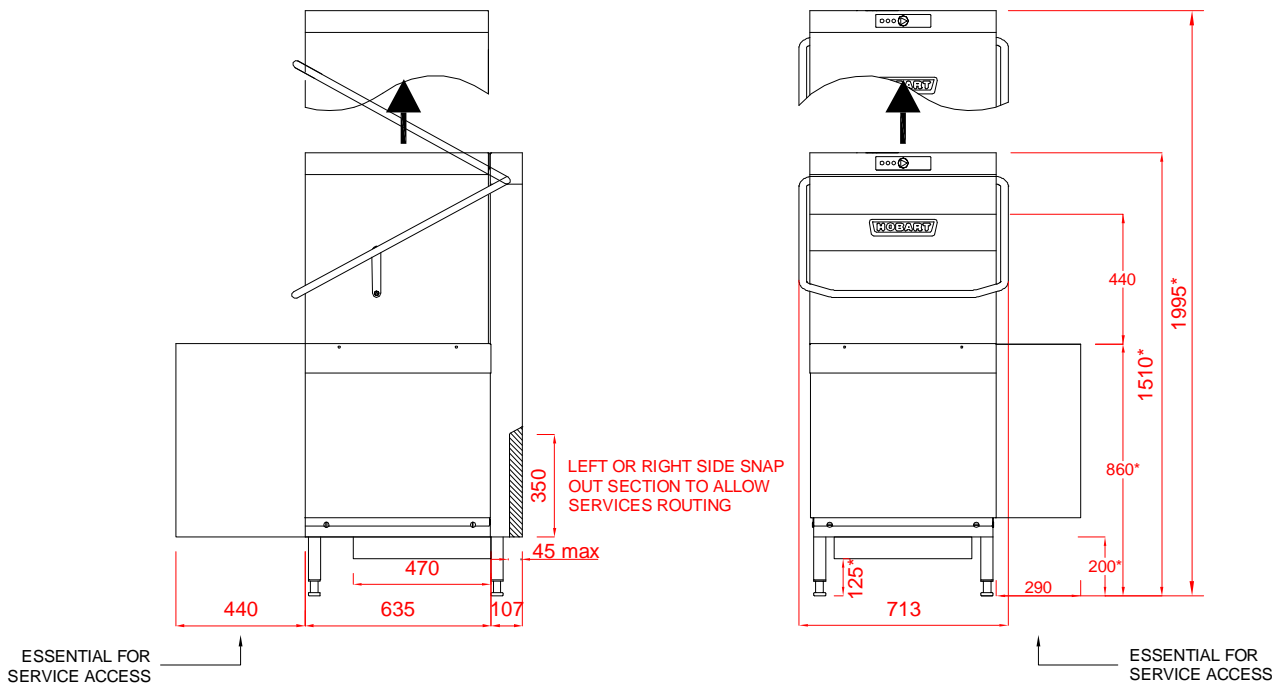
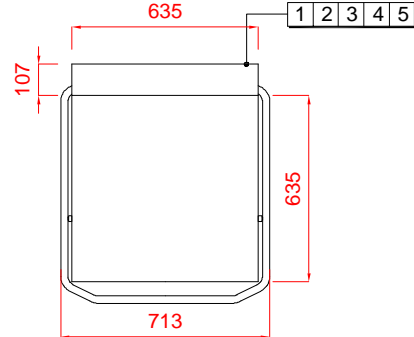
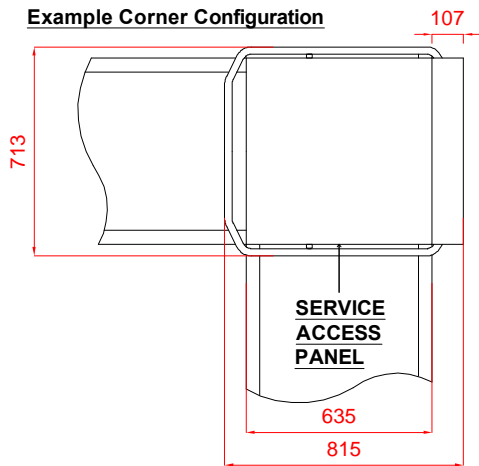


Hood Type Pass Through Dishwasher with Drain Heat Recovery and Inbuilt Softener

AMXRS-10A



Example Corner Configuration



<p>1 Water</p> <p>22mm CONNECTION VIA 2 METRE FLEXIBLE HOSE, FEMALE TERMINATION.</p> <p>WATER SUPPLY 10°C @ 0.4 TO 10 BAR MAX.</p> <p>INITIAL TANK FILL 23 LITRES.</p> <p>RINSE WATER USAGE 2.0 LITRES PER CYCLE. MAX USAGE 120 LITRES PER HOUR.</p> <p>OUR MACHINES ARE SUPPLIED WITH CLASS 'AA' AIR GAP AS STANDARD.</p>	<p>2 Drain</p> <p>DRAIN - 2 METRE FLEXIBLE HOSE TO A 40 mm TRAPPED STANDPIPE 500mm A.F.F.L.</p> <p>FLOW RATE 30 LITRES PER MINUTE. DRAIN FLOW TYPICALLY 3 MINUTES.</p> <p>4 Other Services</p> <p>RINSE AGENT HOSE - 2.0 METRE FLEXIBLE.</p> <p>DETERGENT HOSE - 2.0 METRE FLEXIBLE.</p>	<p>3 Electric Loading</p> <p>7.1kW 400/50/3 + N + E FUSED AT 16AMPS / PHASE. CONFIGURABLE TO: 5.0kW 230/50/1 FUSED AT 25AMPS. MACHINE SUPPLIED WITH 2.5 METRES OF CABLE.</p> <p>Notes</p> <p>APPROX WEIGHTS: EMPTY: 101kg's WITH WATER: 133kg's HEIGHTS MARKED * REPRESENT ±20mm. MIN DISTANCE FROM WALL TO INSIDE OF TABBING BOXED EDGE 154.5mm</p>
---	--	--