




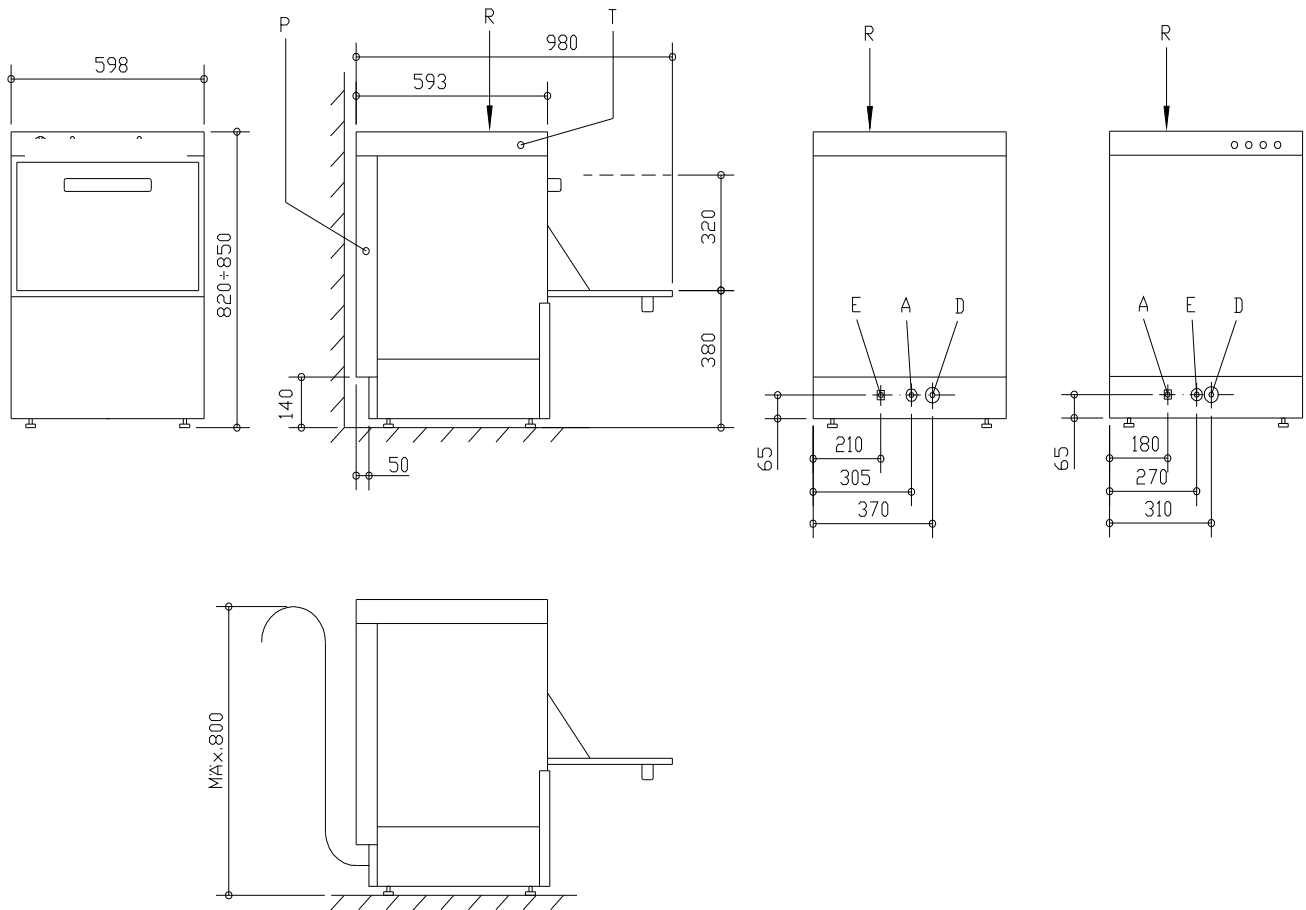
Storm Range 
Glass & Dish Washers
User Manual



DIMENSIONES GENERALES Y ACOMETIDAS (mm)
DIMENSIONS GÉNÉRALES ET BRANCHEMENTS (mm)
GENERAL MEASUREMENTS AND CONNECTIONS (mm)
ALLGEMEINE ABMESSUNGEN UND ZULEITUNGEN (mm)
DIMENSIONI GENERALI E CONNESSIONI (mm)

WYMIARY OGÓLNE ORAZ PODŁĄCZENIE (mm)
GENEL ÖLÇÜLER VE BAĞLANTILAR (mm)

Fig. 1



A	D	E	R
Toma de agua	Manguera Desagüe	Manguera eléctrica	Regleta conexión
Prise d'eau	Tuyau vidange	Gaine électrique	Réglette raccordement
Water inlet	Drain hose	Power Supply Cable Strain Relief	Terminal Box
Wasseranschluß	Schlauch Wasserauslauf	Kabelschlauch	Anschlußleiste
Presă d'acvă	Tubo di scarico	Cavo elettrico	Morsettiera
Podłączenie wody	Wąż spustowy	Przewód zasilający zabezpieczony przed wyrwaniem	Skrzynka podłączeniowa
Su girişi	Tahliye hortumu	Güç Besleme Kablosu Gerginlik Önleyici	Terminal Kutusu

Instalación con Motobomba desagüe
 Installation avec Motopompe vidange
 Installation with drainage motor pump
 Installation mit motorbetätigter Abfußpumpe
 Impianto con motopompa di scarico
 Instalacja z pompą spustową
 Motorlu tahliye pompası ile kurulum

Fig. 2

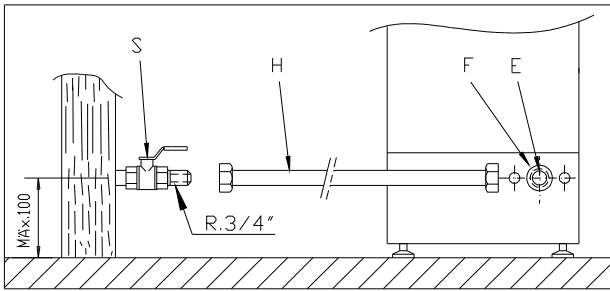


Fig. 3

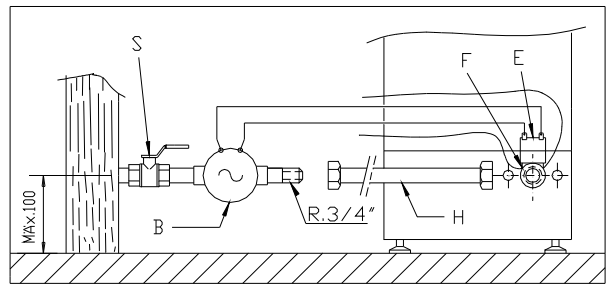


Fig. 4

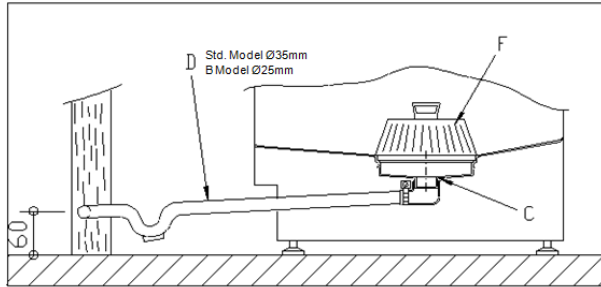


Fig. 5

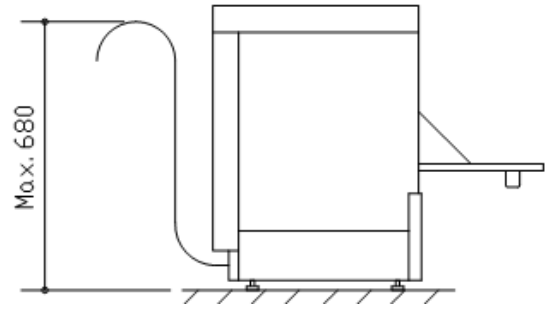


Fig. 6

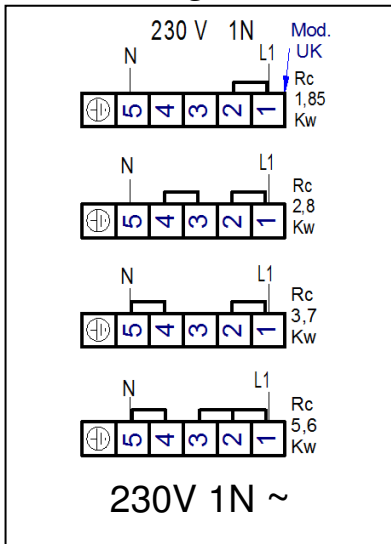


Fig. 7

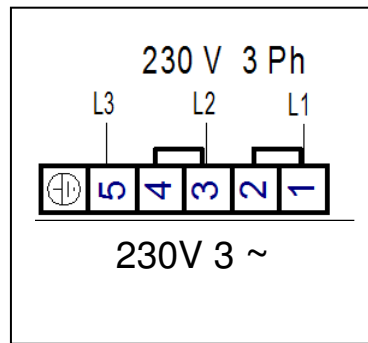
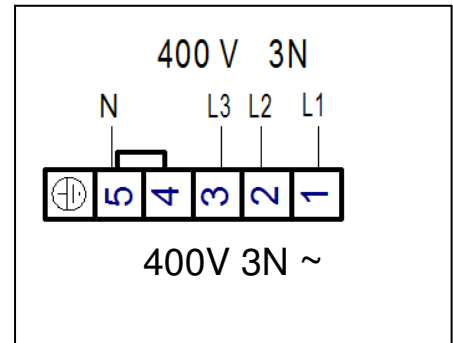


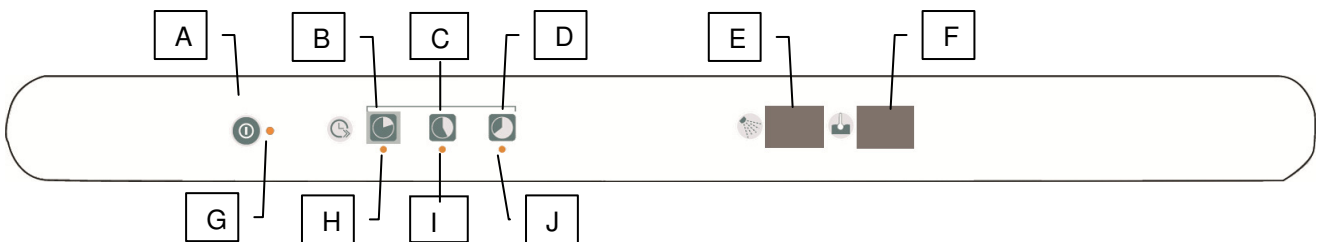
Fig. 8



HP

Fig. 9

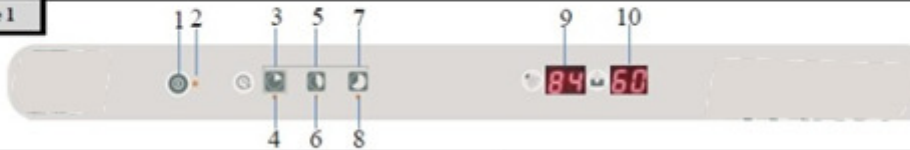
T-OEM-500, T-OEM-500 HP



T-OEM-500 & T-OEM-500 HP

Quick guide

Figure 1



Operations

Filling and heating

1. Close door, press button (1). The LED (2) lights up.
2. Wait until the machine reaches the correct operating conditions. The rinse temperature (9) must be at least 85°C and the tank temperature (10) should be at least 55°C.

Wash

1. Remove scraps before placing tableware in the machine.
2. Open door, insert tableware, close door.
3. Select cycle by pressing button (3), (5) or (7). LEDs (4), (6) or (8) indicate that the machine is running. Depending on which programme has been selected, the corresponding LED will light up.
4. Open the door and repeat the process.

Notes:

To speed up the heating process, run a couple of each of the cycles only after the rinse temperature has reached 85°C.

If you start the cycle before the rinse cycle has reached a minimum temperature of 85°C (9),

THE WASH CYCLE MAY TAKE LONGER.


Cleaning products

The detergent and rinse aid dispensers are standard.
(Please refer to user manual for details on the adjustment and operation of the dispensers)

**THE DETERGENT SHOULD BE INDUSTRIAL,
HIGH TEMPERATURE, NON-FOAMING LIQUID DETERGENT.**

Drainage & Cleaning

Drainage

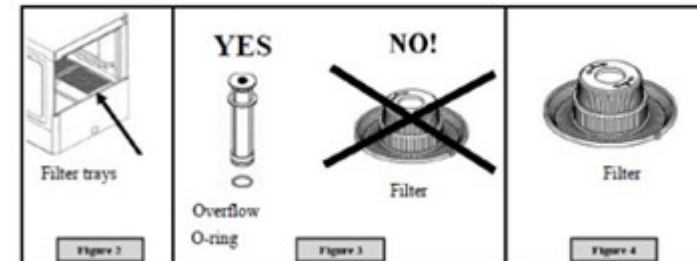
1. Open the door, press button (1). The LED (2) will light up. (Fig. 1).
2. Remove the filters (Fig. 2), and the overflow (Fig. 3).
DO NOT REMOVE THE FILTER OR LOSE THE O-RING!
3. Press button (3) for 3 seconds for drainage  (Fig. 1)
4. Wait until the LED (4) goes out. (Fig. 1)
5. Omit steps 3 & 4 in models with gravity drainage.
6. Press button (1) and close door. (Fig. 1)

Cleaning

1. Open the door, remove the filter (Fig. 4) and all the filter trays for cleaning.
2. Replace the filter, overflow with O-ring and all the filter trays.
3. Clean and dry the machine with a soft cloth. Leave the door open until the next day or next time the machine is used.

Descaling.

1. Insert descaler in the tub and run as many cycles as necessary.
(please see user manual for further details of this operation)



1. INDEX

1. INDEX	32
2. GENERAL INFORMATION AND WARNINGS.....	33
3. PRODUCT DETAILS	34
3.1 General specifications	34
3.2 Specific characteristics	34
4. INSTALLATION INSTRUCTIONS	35
4.1 Removal of packaging	35
4.2 Positioning and levelling	35
4.3 Electrical connection.....	35
4.3.1 Electrical specifications of the installation	36
4.3.2 Voltage Configuration of the machine	36
4.4 Hydraulic connection	36
4.5 Drainage connection.....	37
4.6 Mechanical rinse aid dispenser	37
4.7 Electric rinse aid dispenser (only MOD. W).....	37
4.8 Detergent dispenser (Optional)	37
4.9 Pressure pump	38
4.10 Recycling	38
5. USE AND MAINTENANCE INSTRUCTIONS	38
5.1 Operation	38
5.1.1 Control panel symbols Fig. 9	38
5.1.2 Switching on the machine.....	38
5.1.3 Filling and heating.....	39
5.1.4 Preparation of the dishes.....	39
5.1.5 Selecting the wash cycle	39
5.1.6 Thermo-stop.....	39
5.1.7 Stopping the wash cycle and end of wash cycle	39
5.1.8 Drainage of the machine.....	39
5.1.9 Switching off the machine.....	40
5.1.10 Cleaning the machine at the end of the day	40
5.2 Useful tips	40
5.2.1 Maintenance	40
5.2.2 Rinse aid and detergent.....	40
5.2.3 Hygiene regulations	40
5.2.4 Optimum results.....	41
5.2.5 Prolonged non use.....	41
6. FAULTS, ALARMS AND BREAKDOWNS	41
6.1 Errors shown in display.....	42
7. RECYCLING THE PRODUCT.....	43

2. GENERAL INFORMATION AND WARNINGS

This manual has been created to help you understand the operation, installation and maintenance of the machine. It contains all the necessary information and warnings to ensure that the appliance is installed and used correctly, together with information about the characteristics and possibilities offered, so that you may enjoy your machine to the full.



BEFORE STARTING THE APPLIANCE, PLEASE READ THE INSTRUCTIONS CONTAINED IN THIS MANUAL CAREFULLY.

The manual should be kept safely to hand for future reference.

If the machine is sold or transferred, please pass the manual to the new user.



THIS APPLIANCE IS EXCLUSIVELY FOR PROFESSIONAL USE, AND SHOULD ONLY BE USED BY QUALIFIED PERSONNEL.

- The positioning and installation, and all repairs or modifications, should always be carried out by an AUTHORISED TECHNICIAN, in accordance with the applicable legislation of the country. The manufacturer does not accept liability if the machine is incorrectly installed.
- The installation, incorrect adjustment, inappropriate maintenance or use of the appliance may cause material damages and injuries.
- The dishwasher should be correctly levelled and care taken to ensure that none of the electric cables, water or drainage hoses are trapped or kinked.
- **DO NOT** climb on top of the dishwasher or place heavy objects on top of the machine as it has only been designed to bear the weight of the basket of plates to be washed.
- **The dishwasher is designed for washing plates, glasses and other kitchenware with traces of human food. Any other objects must not be washed in the machine.**
 - If your machine breaks down, please call the **Technical Service Centre**.
 - Unqualified or unauthorised personnel must **NOT** try to repair the machine.
 - Use of spare parts other than original parts will cancel the guarantee.



- During all maintenance operations, the dishwasher must be disconnected from the main power supply at the mains power switch, and the water intake tap must be closed.
- Abrasive or corrosive products, acids, solvents and chlorine-based detergents must **NOT** be used to clean the appliance, as this may damage the components.
- This appliance has been designed for use in ambient temperatures between 5 °C and 40 °C.
- Only the baskets, soaps and rinse aids recommended by the manufacturer should be used.



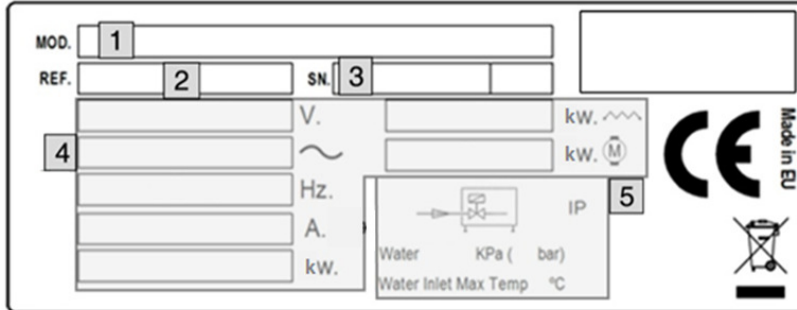
FAILURE TO COMPLY WITH THESE INSTRUCTIONS OR THE INCORRECT USE OF THE APPLIANCE SHALL RELIEVE THE MANUFACTURER OF ANY OBLIGATIONS REGARDING THE GUARANTEE OR POSSIBLE CLAIMS.

3. PRODUCT DETAILS

The machine which you have just purchased is specially designed for cleaning tableware, glassware and other items of kitchenware, used in the hotel and catering sector. As it is an industrial product, it is characterised for having a high dishwashing capacity.

All the appliances have a specifications plate which identifies the appliance and indicates its technical characteristics, it is located on one side of the machine. Don't remove the specifications plate from the unit.

SPECIFICATIONS PLATE



- 1: APPLIANCE MODEL NAME
- 2: APPLIANCE REFERENCE
- 3: SERIAL NUMBER + MANUFACTURE DATE
- 4: ELECTRICAL SPECIFICATIONS
- 5: WATER INLET SPECIFICATIONS

These details should be quoted when the technical service is called.

3.1 General specifications

MOD.	VOLTAGE SUPPLY	BOILER			TANK			WATER CONS. (l/cycle)	Sound Level
		CAP.	TEMP.	POW. (W)	CAP.	TEMP.	POW. (W)		
T-OEM-500	230V 1N 50Hz 230V 1N 60Hz 230V 3 50Hz 230V 3 60Hz 400V 3N 50Hz 400V 3N 60Hz	7 l	85°C	2800	25 l	60°C	2800	2,7	65dBA
T-OEM-500 DD				2200			2000		
T-OEM-500 B							5600		
T-OEM-500 W UK B		2800							
T-OEM-500 HP									
T-OEM-500 HP DD									
T-OEM-500 HP B									
T-OEM-500 HP W									
T-OEM-500 HP W B									

3.2 Specific characteristics

MOD.	WASH CYCLES		BREAK TANK	POMPE VIDANGE	DETG. DOSE	THERMO STOP	WASH CAPACITY (baskets/h)
	N°	LENGTH (s)					
T-OEM-500	3	90 / 120 / 180	-	-	-	YES	40
T-OEM-500 DD			-	-	YES		
T-OEM-500 B			-	YES	-		
T-OEM-500 W UK B			YES	YES	YES		
T-OEM-500 HP		60 / 90 / 180	-	-	-		
T-OEM-500 HP DD			-	-	YES		
T-OEM-500 HP B			-	YES	-		
T-OEM-500 HP W			YES	-	YES		
T-OEM-500 HP W B			YES	YES	YES		
							60

4. INSTALLATION INSTRUCTIONS



The positioning and installation, and all repairs or modifications, should always be carried out by an AUTHORISED TECHNICIAN, in accordance with the applicable legislation of the country.

The installation, incorrect adjustment, inappropriate maintenance or use of the appliance may cause material damages and injuries.

4.1 Removal of packaging

Remove packaging from the machine and check for damage during transportation. If any damage is observed, immediately notify the supplier and the transport company. In the event of doubt, do not use the machine until the problem has been assessed.



Packaging (plastic, expanded polyurethane, staples, etc...) must not be left in the reach of children, they are a potential hazard.

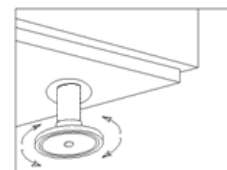
The machine should be moved using a fork-lift truck or similar to avoid damage to the structure. Transport the machine to the installation location and then remove packaging.

All the packaging can be recycled. Dispose of packaging correctly.

4.2 Positioning and levelling

This appliance has adjustable feet to allow it to be adjusted to the correct height, this is done by turning the foot to the desired height. For optimum operation, it is essential that the machine is correctly levelled. The flooring on which the machine is to be installed must be able to bear the full weight of the machine.

Inspect final location of the machine prior to installation to prevent damage during use.



4.3 Electrical connection

An AUTHORISED TECHNICIAN should always carry out the appliance's electrical connection.

The legal standards in force in each country regarding connection to the mains should be taken into account.



- Check that the mains voltage corresponds to that indicated on the nameplate.
- The electric cable should be flexible, with an oil-proof covering, and it should not weigh less than the cable in an ordinary sleeve made of standard polychloroprene or an equivalent synthetic elastomer (H07RN-F).
- The cross-section of the power cable must be suitable for the rated current of the machine.
- An easily accessible switch device should be installed next to the appliance for all the phases, with a minimum gap of 3 mm between contacts. This switch should be used to disconnect the appliance during installation, repair, cleaning and maintenance work. The switch should have fuses suitable for use with the rated current (A) of the machine. Alternatively, a suitable magneto-thermal switch may be used.
- The appliance must be earthed using a differential protector. The manufacturer will not be held liable for damage originated by failure to observe this requirement.
- If any faults are observed during the installation, the supplier should be notified immediately.



The manufacturer will not be held liable for any personal or material damage to the machine resulting from incorrect installation or failure to comply with the manufacturer's specifications.

4.3.1 Electrical specifications of the installation

MOD.	POWER SUPPLY	MAX ELECTRIC POWER	AMP. (A)	NET WEIGHT
T-OEM-500 (DD / B)	230V 1N~ 50/60Hz	3,4 kW	15 A	54 kg
T-OEM-500 W UK B	230V 1N~ 50/60Hz	2,8 kW	12,2 A	
T-OEM-500 HP (DD / B / W / WB)	230V 1N~ 50/60Hz	6,2 kW	27 A	60 kg
	230V 3~ 50/60Hz		16,7 A	
	400V 3N~ 50/60Hz		10,7 A	

4.3.2 Voltage Configuration of the machine

The voltage configuration of the machine is stipulated on the nameplate. If the mains voltage supply is not the same as that stipulated on the machine, there is a terminal box from which the different voltage options can be configured (**230V 1N~**, **230V 3~** or **400V 3N~**). **Fig. 6, 7, 8**

In the event of a change, the supplier must be notified to ensure that the machine's guarantee remains valid. To access the terminal holder, undo the machine's cover.



ONLY AUTHORISED PERSONNEL may change the electrical configuration. Users may not tamper with the machinery.

4.4 Hydraulic connection

The new hoses supplied with the appliance should be used (do not reuse old hoses). Before connecting the machine to the water supply, the water quality should be tested. Recommended water quality:

Water temperature (T):	max. 60 °C	Total water hardness:	5 – 10 °fH (French degrees)
pH:	6.5 - 7.5		7 – 14 °eH (English degrees)
Impurities:	Ø < 0.08 mm		9 – 18 °dH (German degrees)
Chlorides:	max. 150 mg/l	Conductivity:	400 - 1,000 µS/cm
Cl:	0.2 - 0.5 mg/l		

If the water hardness is more than 10 °fH (French degrees), a descaler must be installed.

In addition to water quality, the pressure of the mains water supply must be considered. This is important to ensure the machine operates correctly.

Required water pressure:

DYNAMIC PRESSURE	Min.				Max.			
	bar	kPa	kg/cm ²	psi	bar	kPa	kg/cm ²	psi
	2	200	2,03	29	3,5	350	3,56	50,76

If the water pressure is higher than the recommended pressure, a pressure regulator must be mounted at the output **Fig. 2**. If the mains water pressure is lower than the recommended pressure, a pressure pump should be mounted at the mains water supply **Fig. 3**.

Fig. 2. Direct connection of water input hose. ⁵

Fig. 3. Pressure pump connection.

S → SHUT-OFF COCK F → FILTER H → WATER HOSE⁶
E → ELECTROVALVE B → ELECTRIC PRESSURE PUMP

The following requirements are necessary for the correct hydraulic installation of the machine.

- The hydraulic circuit must be fitted with a valve to shut-off the water supply.
- Check that the mains pressure is within the range indicated above.

⁵ 31mm in diameter and must be installed in accordance with AS/ NZ3500.2 (drainage) by means of coupled connection to a DN50 or larger pipe

⁶ For Australia, watermark certified inlet hose and backflow prevention device. Must be installed in accordance with AS/NZS3500.1 (water service supply) including installation of the supplied backflow prevention device.

- To optimise the working of the machine, the manufacturer recommends that the water temperature at the machine intake is within the following range.

Cold H ₂ O	Hot H ₂ O
5 °C < T ^a < 25 °C / 41 °F < T ^a < 95 °F	40 °C < T ^a ≤ 60 °C / 122 °F < T ^a < 140 °F

- If using hot water, the water temperature must not exceed 60 °C / 140 °F.
- All the machines should have a 3/4" screw-on connection.

4.5 Drainage connection

The water draining from the machine must flow freely and therefore the drainage pipe should be lower than the drainage outlet **Fig. 4**. If the drainage pipe is not lower, a drainage pump will be required. This must not be mounted at a height of more than **800 mm Fig. 1, Fig. 5**. In this case, the pump may be requested at the time of purchase or subsequently.

Fig. 4. Drainage installation.

Fig. 5. Installation of drainage at a height using drainage pump.



The drainage pump must only be installed by personnel authorised by the manufacturer, and the manufacturer does not accept liability in the event of incorrect installation.

4.6 Mechanical rinse aid dispenser

Operation: This dispenser absorbs the rinse aid when it detects a loss in pressure during rinsing. That is, when the filling solenoid valve closes, a vacuum is created that makes the rinse aid dispenser absorb the fluid to which it is connected.

Adjustment: The dispenser should be adjusted when the machine is installed to ensure that the wash is optimised from the start. The setting should be adjusted according to the type of rinse aid and the water hardness.

4.7 Electric rinse aid dispenser (only MOD. W)

Operation: This dispenser absorbs the rinse aid when the electronic programmer gives the order to rinse. The rinse aid is inserted in the **BREAK TANK**, to then be mixed with the rinse water from the boiler.

Settings: The dispenser should be adjusted when the machine is installed to ensure that the wash is optimised from the start. The setting should be adjusted according to the type of rinse aid and the water hardness.



It is recommended that the rinse aid product and the dispenser setting are defined by a technician specialised in the use of chemical products in order to ensure a more efficient wash.

4.8 Detergent dispenser (Optional)

This ensures that the correct measure of detergent is supplied to the machine.

Installation: the detergent dispenser input must be in the tub of the machine, below the maximum water level. Please see the electrical circuit diagram for details of the electrical connection The tub has an opening for the installation of the dispenser.

Operation: the detergent dispenser is activated when the machine is taking water, whether it is in rinse cycle or whether it is filling.

Settings: the measure of detergent used should be adjusted when the component is installed to ensure that the wash is optimised from the start.



It is recommended that the detergent and the dispenser setting are defined by a technician specialised in the use of chemical products in order to ensure a more efficient wash.

4.9 Pressure pump

If the mains water pressure is less than 2 bar (200 kPa), you have the option of installing a pressure pump. If the pressure is less than 2 bar (200kPa), the machine may operate incorrectly. The electrical connections for the pressure pump are shown in the electric circuit diagram. The water connection to the pressure pump is shown in **Fig. 3**. If the machine is a version W machine, it is not necessary to use a pressure pump.

If the mains water pressure is less than 2 bar (200 kPa), please contact your supplier or the manufacturer to request the PRESSURE PUMP KIT.



The pressure pump must only be installed by personnel authorised by the manufacturer, and the manufacturer does not accept liability in the event of incorrect installation.

4.10 Recycling

The product packaging consists of:

- A wooden pallet.
- Cardboard.
- A polypropylene band.
- Expanded polyethylene.



All the packaging used around the machine can be recycled; The correct disposal of these products will help to protect the environment. For further information regarding the recycling of these products, please refer to the relevant office of the local body. Dispose of these materials in accordance with current legislation.

5. USE AND MAINTENANCE INSTRUCTIONS



BEFORE STARTING THE APPLIANCE, PLEASE READ THE INSTRUCTIONS CONTAINED IN THIS MANUAL CAREFULLY.



THE APPLIANCE IS EXCLUSIVELY FOR PROFESSIONAL USE, AND SHOULD ONLY BE USED BY QUALIFIED PERSONNEL.

5.1 Operation

The steps required to optimise the operation of your dishwasher are shown below, with all the available options.

5.1.1 Control panel symbols Fig. 9

- | | |
|---|-----------------------------------|
| A. Machine on/off button. (ON/OFF) | F. Tank water temperature display |
| B. Short cycle button / Drainage button (60s) | G. Machine on pilot light |
| C. Medium cycle button (90s) | H. Machine working pilot |
| D. Long cycle button (180s) | I. Machine working pilot |
| E. Boiler water temperature display | J. Machine working pilot |

5.1.2 Switching on the machine

Before switching on the machine, check the following:

- ✓ The mains switch must be on.
- ✓ The water stop cock must be open.
- ✓ There must be water in the mains network.
- ✓ The corresponding filters must be in place.
- ✓ The overflow should be mounted in place.

To switch on the machine just press the ON-OFF button (A) once for 1.5 seconds.

5.1.3 Filling and heating

When the machine is switched on, it will start to fill. First the rinse boiler is filled and then the wash tub. The filling process may last a few minutes. Once the wash tub is full, the boiler starts to heat up and when it is hot, the tub is heated. Although it is possible to start the wash process, this is not recommended as the water inside the machine is not yet at the ideal temperature. When the machine reaches the ideal washing temperature, the dishwashing process can be started. See the temperature on the corresponding displays. The temperature in the boiler should be between 82-90 °C and in the tank between 57-62 °C (see figure).



It is recommended that the water in the dishwasher is changed every 40/50 washes or twice a day.



The door must be closed for the machine to start filling. For safety reasons, if the door is open, the machine will not fill.

The machine you have purchased has a safety thermostat in the boiler and another for the tub, so that in the event of the breakdown of any of the main thermostats, the safety thermostats switch off the corresponding heating.



During the first heating of the day, the boiler may reach a higher temperature than that mentioned above due to heating inertia. This is normal. If pressurised steam is observed coming out of the rinse branch nozzles, while the boiler is heating, the technical service should be notified.

5.1.4 Preparation of the dishes

Before washing the dishes, the preparatory steps below should be followed:

- Remove the largest pieces of waste from the dishes before placing them in the baskets.
- Wash glassware first.
- Put the plates in the rack basket.
- Place the glasses upside down.
- Place the cutlery in the cutlery baskets with the handles downwards. The different pieces of cutlery can be mixed.
- Place the cutlery baskets in the lower baskets.

5.1.5 Selecting the wash cycle

Before starting the wash cycle, place the corresponding basket containing the dishes in the machine. To start the wash process first close the door and then select the wash cycle you wish to run for 1.5 s. The wash cycle will start automatically. Each wash cycle runs for a set time that is selected according to how dirty the plates are (60 s/90 s/180 s).



The door must be closed for the machine to start the wash cycle. For safety reasons, if the door is open, the wash cycle will not start.

5.1.6 Thermo-stop

The thermo-stop guarantees a constant rinse at a temperature of 85 °C. This means that the machine continues washing until the boiler reaches the ideal temperature. Then the rinse cycle starts.

5.1.7 Stopping the wash cycle and end of wash cycle

The wash cycle can be stopped in the following ways:

- By switching off the machine → the cycle stops completely.
- By opening the door → when the door is closed, the cycle continues.

At the end of the wash cycle, remove the basket and leave the dishes to dry naturally. Remove the dishes from the basket with clean hands, taking care not to burn yourself as the dishes are extremely hot.

5.1.8 Drainage of the machine

The dishwashers have two types of drainage; gravity drainage or using a drainage pump.

5.1.8.1 Drainage by gravity

To drain the machine in this way, just remove the overflow from the machine and it will drain naturally. For reasons of safety, this method of drainage should only be used with the machine switched off.

5.1.8.2 Drainage using the drainage pump (optional)

The drainage using the drainage pump option is only available on request. The drainage pipe must always be fitted on a siphon to prevent the return of odours. To drain the machine using this method, proceed as follows:

- Remove the overflow valve.
- Leave the door open.
- Press the drain button (B) for 3 seconds and the drainage cycle will start automatically.
- At the end of the cycle (approx. 160 s), replace the overflow valve. The machine may be switched off.



To drain the machine with the drainage pump, the hose must be at a height (max. 800 mm).

5.1.9 Switching off the machine

The dishwasher is switched off by pressing the *ON-OFF button for 1.5 s*.

The machine should not be switched off during the wash process as this will stop the tableware inside the machine from being cleaned properly.

5.1.10 Cleaning the machine at the end of the day

At the end of the day, the filters, wash distributors, rinse branches and other accessories must be cleaned. This is necessary to prolong the service life of the machine. To ensure the efficient washing of the dishes, the dishwasher must be perfectly clean and disinfected.

5.2 Useful tips

Read the useful tips listed below carefully to allow you to get the most out of your dishwasher.

5.2.1 Maintenance

Always clean the machine correctly to prolong the service life of the machine.

- Remove any waste from the machine at the end of each day.
- Do not use abrasive, corrosive or acid products, chlorine-based detergents, solvents or petrol derivatives to clean the machine.
- Do not use pressurised water to clean the machine.
- Only wash tableware, glassware or kitchenware that has been used for human food.
- Check that the wash distributors rotate correctly every day.
- Check the salt, rinse aid and detergent levels at the start of each day.
- Call the technical service twice a year to have the machine serviced:
 - Cleaning of water filter.
 - Cleaning of limescale on the resistors.
 - Inspection of the condition of the seals.
 - Inspection of the condition of the parts.
 - Adjustment of the dispensers.
 - Tightening of the electrical connections on the terminals.
- If the power cable is damaged, it must be replaced by the manufacturer, after-sales service or authorised technical personnel in order to prevent risks.

5.2.2 Rinse aid and detergent

If you change the rinse aid or detergent, the settings should be adjusted accordingly. This adjustment must be carried out by qualified personnel. Only use detergents suitable for industrial dishwashers. Do not use foam-producing detergents. Detergents designed for domestic use should not be used under any circumstances.



When handling chemical substances, the safety instructions must be observed. Use suitable protective clothing, gloves and safety goggles when handling chemical substances. Do not mix different detergents.

5.2.3 Hygiene regulations

- Do not touch clean dishes with dirty or greasy hands.
- Use clean sterilised cloths to thoroughly dry the dishes.

- We recommend you wait until the machine reaches the correct wash temperature as this will ensure a more thorough disinfection and wash.
- Drain the wash tub at least twice a day or every 40/50 wash cycles.

5.2.4 Optimum results

To obtain optimum dishwashing results, the manufacturer recommends you proceed as follows:

- Wash the dishes when the machine is ready.
- Always ensure the different dispensers are correctly adjusted.
- Keep the dishwasher thoroughly clean.

5.2.5 Prolonged non use

If the machine is kept out of service for a long period of time (holidays, temporary closure...), please observe the following:

- Drain the machine completely, including the boiler.
- Clean the machine thoroughly.
- Leave the door of the machine open.
- Close the water intake valve.
- Switch off the mains power supply.
- If there is a risk of frosts, ask your technical service to protect the machine against frosts.

6. FAULTS, ALARMS AND BREAKDOWNS

The steps to be followed in the event of a fault or operating error are described below. The possible causes and possible solutions are listed in the following table. In the event of doubt, or if you are unable to resolve the problem, please contact the technical service.



Do not handle electrical components, as there is a risk of death as the components are live.

FAULT	POSSIBLE CAUSE	SOLUTION
The machine does not come on.	There is no power supply.	Check whether the magneto-thermal circuit breaker has been triggered.
	The fuses have blown.	Call the technical service to analyse the reason why.
	Main switch open.	Close switch.
The machine does not fill with water.	Water entrance valve closed.	Open the water valve.
	Rinse nozzles blocked.	Clean nozzles and check branches for build-up of lime.
	Solenoid valve filter blocked.	Call the technical service to clean the filter.
	Rinse pump faulty	Call the technical service to replace the pressure switch.
	Pressostat is broken.	Call the technical service to replace the pressure switch.
	Door is not closed properly	Close the door properly.
Unsatisfactory wash.	Wash distributors obstructed.	Clean distributors thoroughly.
	Shortage of detergent.	Call the technical service to reset the dispenser.
	Dirty filters.	Clean the filters thoroughly.
	Presence of foam.	Unsuitable detergent. Call the technical service to supply correct detergent.

		Too much rinse aid. Call the technical service to reset the dispenser.
	Temperature of lower tub at 50 °C / 122 °F.	Thermostat faulty or incorrectly set. Call the technical service to repair it.
	Length of cycle too short for level of dirt on dishes.	Select a longer cycle.
	Water too dirty.	Drain the wash tub and fill with clean water.
Dishes and kitchenware are not dry.	There is no rinse aid	Fill the rinse aid container.
	Rinse aid low.	Call technical service to adjust dispenser.
	Dishes left inside dishwasher for too long.	When the dishwasher finishes, remove the basket from the machine and allow to dry naturally.
	Rinse temperature lower than 80 °C / 176 °F.	Call technical service to analyse problem.
Scratches or stains on dishes.	Too much rinse aid.	Call technical service to adjust rinse aid dispenser.
	Water too chalky.	Check water hardness and if possible run regeneration cycle immediately.
	Not enough salt in salt deposit.	Fill salt deposit where applicable.
	Traces of salt in tub.	When filling the salt deposit, take care not to spill salt in the tub.
Machine stops during operation.	Electrical installation overloaded.	Call technical service to modify electrical installation.
	Machine protection has tripped.	Reset safety device and if it trips again, call technical service.
Machine stops and fills with water when it is washing.	Pressure switch pipe blocked.	Empty the tub and clean thoroughly.
	Pressure switch faulty.	Call the technical service to replace it.
	Overflow incorrectly mounted.	Mount overflow correctly.
The machine does not start with the wash cycle.	Door is not closed properly.	Close the door correctly and if it is seen to re-open alone, call the technical services to adjust the tensioners.
	Door micro switch faulty.	Call the technical service to replace it.
Machine does not drain completely.	Machine not levelled correctly.	Level the machine In the event of doubt, please contact your technical service.
	Pressure switch faulty.	Call the technical service to replace the pressure switch.



NOTE: If a fault occurs and is not listed in the above table, please call the technical service. The manufacturer reserves the right to modify the technical characteristics with prior warning.

6.1 Errors shown in display

ERRORS	DETECTION	DENOMINATION
E1	ON/OFF LED lights up for 0.5 s and turns off for 2 seconds, repeatedly.	Door or hood is open.
E2	ON/OFF LED lights up twice for 0.5 s each time and turns off for 2 seconds, repeatedly.	Incorrect water level. Stipulated fill time exceeded.

E3	ON/OFF LED lights up three times for 0.5 s each time and turns off for 2 seconds, repeatedly.	Incorrect drainage of the machine. Stipulated drainage time exceeded.
E4	ON/OFF LED lights up four times for 0.5 s each time and turns off for 2 seconds, repeatedly.	Incorrect boiler temperature. Stipulated boiler heating time exceeded.
E5	ON/OFF LED lights up five times for 0.5 s each time and turns off for 2 seconds, repeatedly.	Incorrect tank temperature. Stipulated tank heating time exceeded.

7. RECYCLING THE PRODUCT



The European Directive 2012/19/EU relating to Waste Electrical and Electronic Equipment (WEEE) states that household appliances should not be disposed of using the normal solid urban waste cycle. Exhausted appliances should be collected separately in order to optimise the cost of re-using and recycling the materials inside the machine, while preventing potential damage to the atmosphere and to public health. The crossed-out dustbin is marked on all products to remind the owner of their obligations regarding separated waste collection. For more information relating to the correct disposal of household appliances, owners should contact their local authorities or appliance dealer.