

# HOOD TYPE DISHWASHERS AUP SERIES

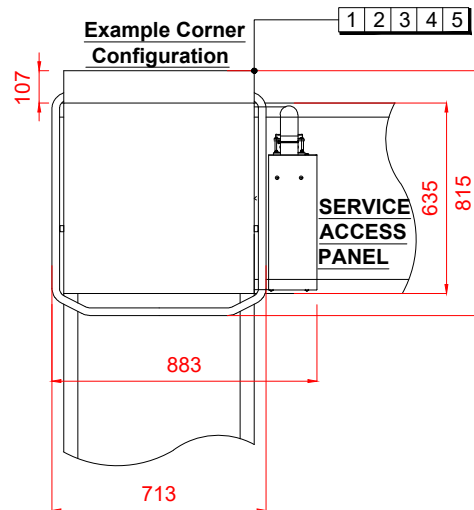
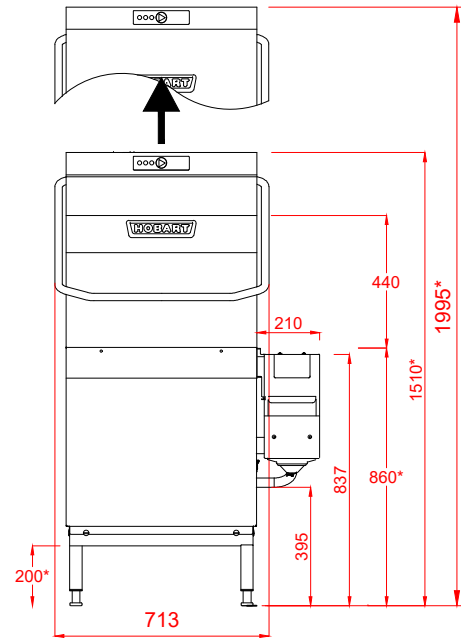
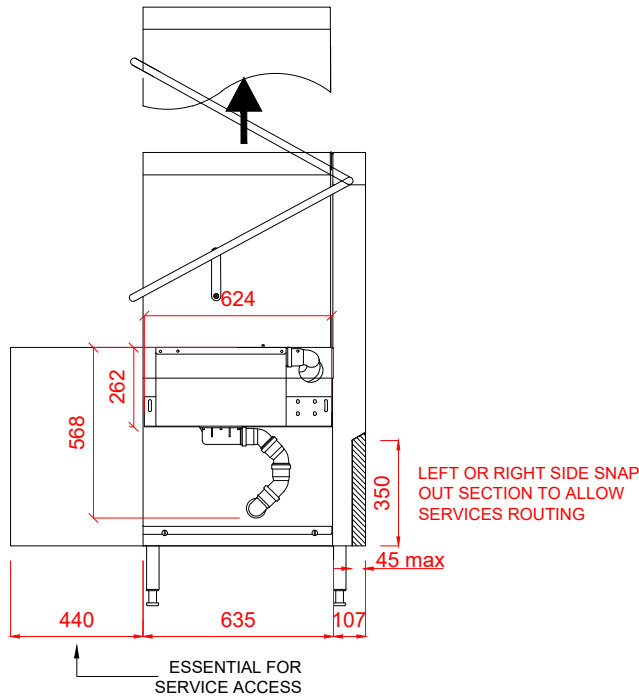


HOBART UK,  
SOUTHGATE WAY,  
ORTON SOUTHGATE,  
PETERBOROUGH.  
PE2 6GN  
0844 888 7777

www.hobartuk.com

## Hood Type Pass Through Dishwasher with Automatic Soil Removal

AUP-10A



### 1 Water

22mm CONNECTION VIA 2 METRE FLEXIBLE HOSE, FEMALE TERMINATION.  
COLD WATER SUPPLY 10°C @ 0.4 TO 10 BAR MAX.  
**OR**  
HOT WATER SUPPLY 60°C @ 0.4 TO 10 BAR MAX.  
INITIAL TANK FILL 40 LITRES.  
RINSE WATER USAGE (ECO) 1.4 LITRES PER CYCLE.  
RINSE WATER USAGE 2.0 LITRES PER CYCLE. MAX USAGE 150 LITRES PER HOUR.  
OUR MACHINES ARE SUPPLIED WITH CLASS 'AA' AIR GAP AS STANDARD.

### 2 Drain

DRAIN - 2 METRE FLEXIBLE HOSE TO A 40 mm TRAPPED STANDPIPE 500mm MAX A.F.F.L.  
  
FLOW RATE 30 LITRES PER MINUTE.  
DRAIN RATE TYPICALLY 3 MINUTES.

### 3 Electric

17.5kW 400/50/3 + N + E  
FUSED AT 35AMPS / PHASE.  
**CONFIGURABLE TO:**  
11.3kW 400/50/3 + N + E  
FUSED AT 25AMPS / PHASE.  
SUPPLIED WITH 2.5 METRES OF CABLE.

### 4 Other Services

RINSE AGENT HOSE - 2.5 METRE FLEXIBLE.  
DETERGENT HOSE - 2.5 METRE FLEXIBLE.

### Notes

Approx Weights: EMPTY: 101kg's WITH WATER: 133kg's Min distance to Wall to Inside of tabling boxed edge 154.5mm. **HEIGHTS MARKED \* REPRESENT ±20mm. AUTOMATIC SOIL REMOVAL UNIT CAN BE POSITIONED ON EITHER SIDE OF MACHINE.**

**PLOT SCALE: 1:25**

RIGHT TO MAKE NECESSARY CHANGES IS RESERVED